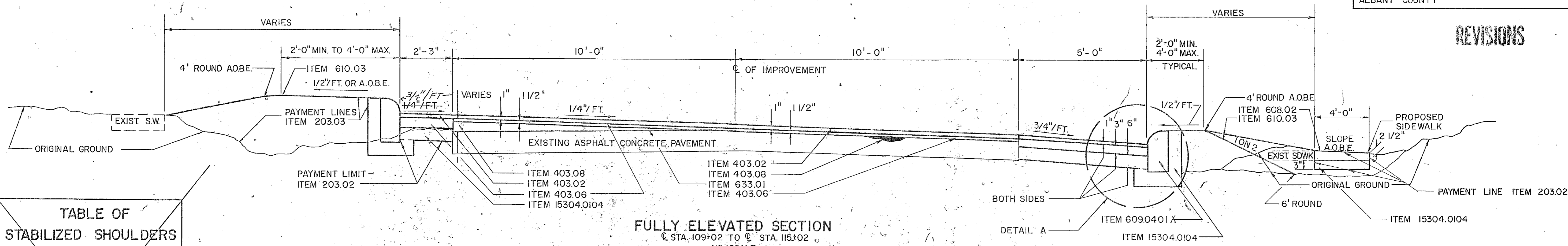
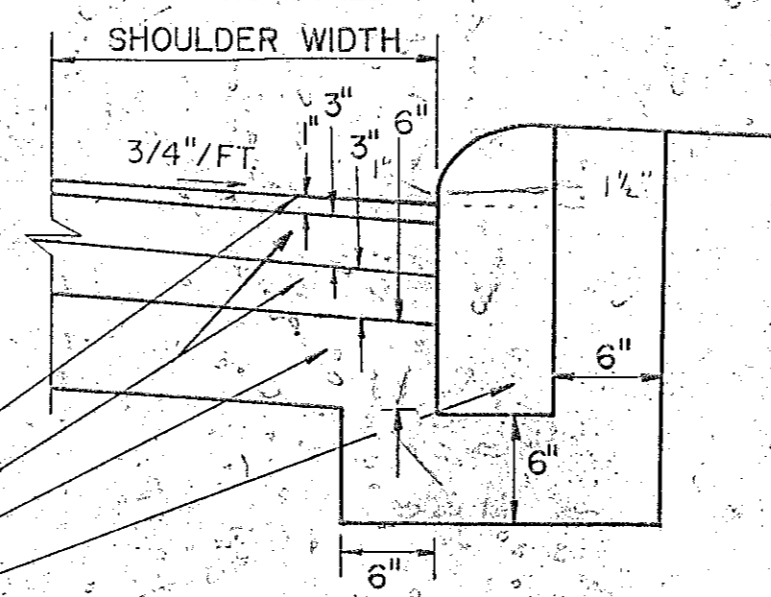


FED. ROAD REG. NO.	STATE	FEDERAL AID PROJECT NO.
1	N.Y.	
DELAWARE PT. 2, S.H. 41		
ALBANY COUNTY		

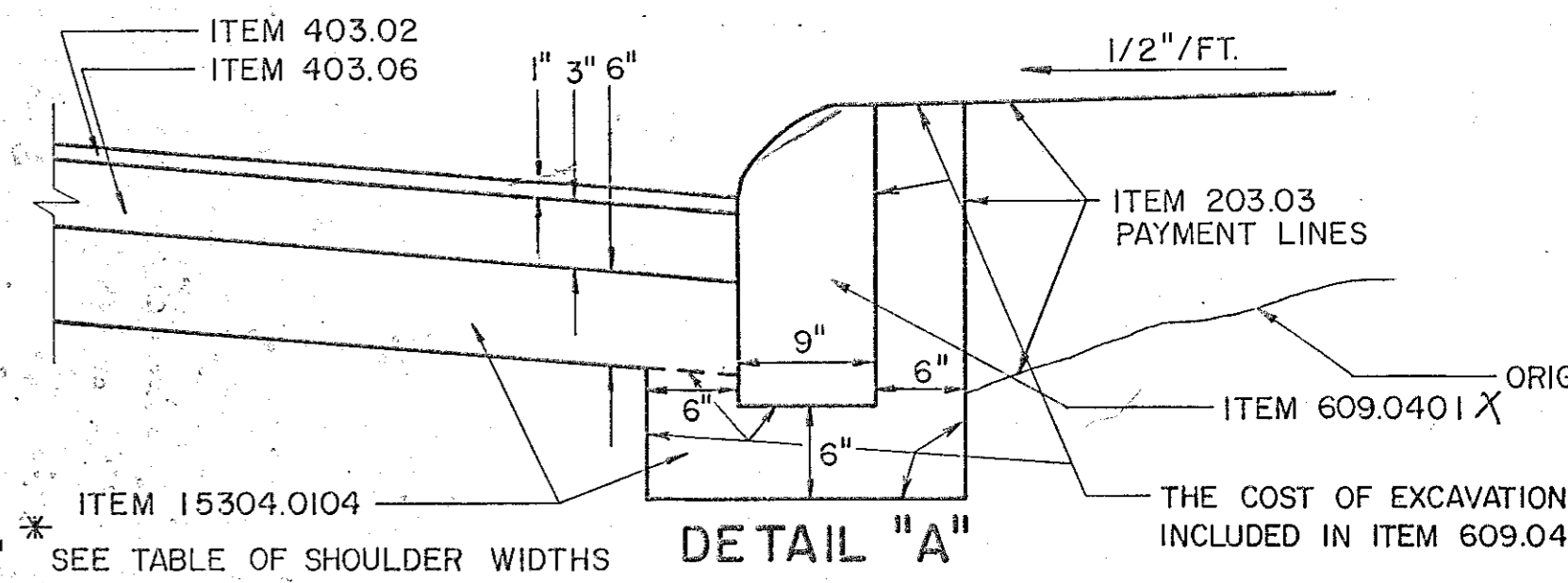
REVISIONS



**FULLY ELEVATED SECTION**  
 C. STA. 109+02 TO C. STA. 115+02  
 NO SCALE

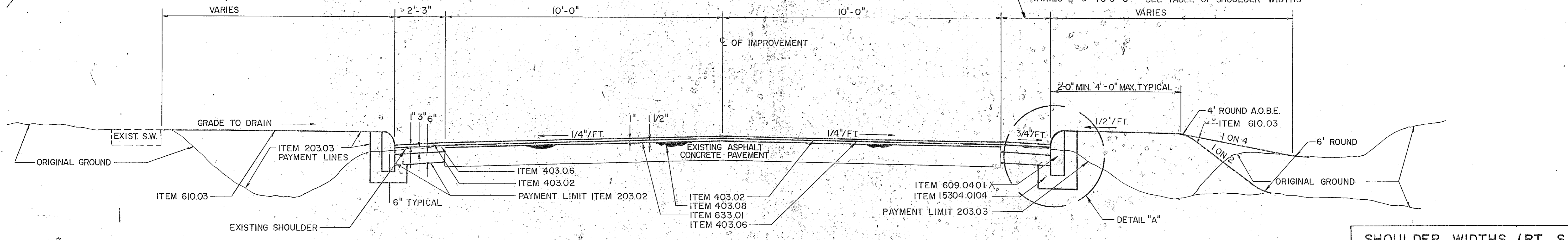


**STABILIZED SHOULDER**  
 (NOT TO SCALE)



**TABLE OF STABILIZED SHOULDERS**

STATION	TO	STATION
102 + 08	-	102 + 40, 33' LT.
102 + 72	-	102 + 99, 33' LT.
106 + 07	-	106 + 36, 33' LT.
106 + 60	-	106 + 86, 33' LT.
107 + 92	-	108 + 19, 33' RT.
108 + 52	-	108 + 80, 33' RT.
120 + 29	-	120 + 58, 33' RT.
120 + 83	-	121 + 08, 33' RT.



**NORMAL SECTION**  
 C. STA. 101+30 TO C. STA. 107+02  
 C. STA. 117+02 TO C. STA. 121+89  
 NO SCALE

**TRANSITION SECTIONS**

C. STA. 107+02 TO C. STA. 109+02
C. STA. 115+02 TO C. STA. 117+02

NOTE: SIDE ROAD TYPICAL SECTIONS CONSIST OF RESURFACING THE EXISTING PAVEMENT WITH 1 1/2" OF ITEM 403.06 AND 1" OF ITEM 403.02. SHOULDERS WILL BE CONSTRUCTED AS SHOWN ABOVE. ITEM 403.08 as required at intersections.

**SHOULDER WIDTHS (RT. SIDE)**

STATION - STATION	WIDTH
101 + 30 - 107 + 02	2'-3"
107 + 02 - 109 + 02	VARIES 2'-3" TO 5'-0"
115 + 02 - 117 + 02	VARIES 5'-0" TO 8'-0"
117 + 02 - 121 + 89	2'-3"

ITEM NO.	DESCRIPTION	ITEM NO.	DESCRIPTION
203.02	UNCLASSIFIED EXCAVATION AND DISPOSAL.	608.02	ASPHALT CONCRETE SIDEWALKS, DRIVEWAYS AND CLASS I BIKEWAYS
203.03	EMBANKMENT IN PLACE.	609.0401X	CONCRETE CURB - TYPE AB
15304.0104	SUBBASE COURSE SELECT GRANULAR MATERIAL.	610.03	SEEDING ON SPECIAL AREAS.
403.02	ASPHALT CONCRETE - TYPE IAF TOP (HIGH FRICTION).	633.01	CLEANING EXISTING PAVEMENT.
403.06	ASPHALT CONCRETE - TYPE 2A BINDER.		
403.08	ASPHALT CONCRETE - TRUING AND LEVELING COURSE.		

**NOTES**

- TRIMMING ROAD SECTION: NO TRIMMING OF ROAD SECTION (ITEM 203.14) IS INCLUDED IN THIS CONTRACT AS A SEPARATE WORK ITEM. HOWEVER, ALL SHOULDER AND DITCH LOCATIONS SHALL BE TRIMMED IN A WORKMANLIKE MANNER TO THE LINE AND GRADE SHOWN ON THE PLANS OR A.O.B.E. IN ADDITION, IN AREAS WHERE ADJACENT LAND OWNERS MOW AND MAINTAIN A LAWN AREA, TO THE DITCH OR SHOULDER LINE, THE CONTRACTOR SHALL REMOVE ANY MATERIAL IN EXCESS OF 1" MAX. DIMENSION BEFORE SEEDING. SEEDING TO BE PAID UNDER ITEM 610.03, SEEDING ON SPECIAL AREAS. THE COST OF TRIMMING SHALL BE INCLUDED IN THE PRICE BID FOR OTHER CONTRACT ITEMS.
- ALL EXISTING SANITARY SEWERS AND OTHER SEWERS NOT DEEMED TO BE PART OF THE PROJECT BY THE COMMISSIONER, WATERMANS, HYDRANTS AND OTHER MUNICIPALLY OR PRIVATELY OWNED FACILITIES WITHIN THE LIMITS OF THE RIGHT OF WAY WHICH REMAIN IN SERVICE UNCHANGED AND ALL SUCH FACILITIES RELOCATED OR PROTECTED AS PART OF THE WORK PERFORMED UNDER THE PROJECT WHETHER CROSSING, LOCATED WITHIN OR ADJACENT TO THE RIGHT OF WAY SHALL BE MAINTAINED AS THE CASE MAY BE BY THE MUNICIPALITY OR BY THE AGENCY OR UNIT HAVING CONTROL AND JURISDICTION THEREOF AT NO COST OR EXPENSE TO THE STATE.
- EMBANKMENT PLACED ADJACENT TO ALL PROPOSED CURBING AS PER TYPICAL SECTION SHALL BE SHAPED TO DRAIN IN A MANNER AND DIRECTION AS ORDERED BY THE ENGINEER. ALL ADDITIONAL SHAPING, SWALING ADJACENT TO EXISTING SIDEWALK A.O.B.E. SHALL BE PAID FOR UNDER ITEM 206.02 TRENCH AND CULVERT EXCAVATION.

TOWN OF BETHELEM, NEW YORK  
 DEPARTMENT OF PUBLIC WORKS  
**OFFICE COPY**

**TYPICAL SECTIONS**

STATE OF NEW YORK  
 DEPARTMENT OF TRANSPORTATION

DRAWING No.	SCALE	DATE	REGION
15	NONE		I