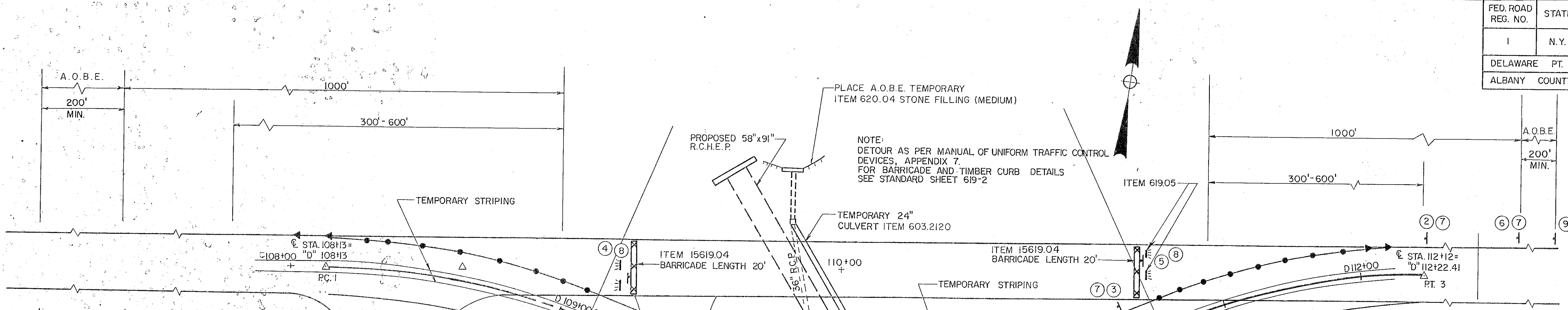


FED. ROAD REG. NO.	STATE	FEDERAL AID PROJECT NO.	SHEET NO.	TOTAL SHEETS
1	N.Y.		4	15
DELAWARE PT. 2, S.H. 41		ALBANY COUNTY		

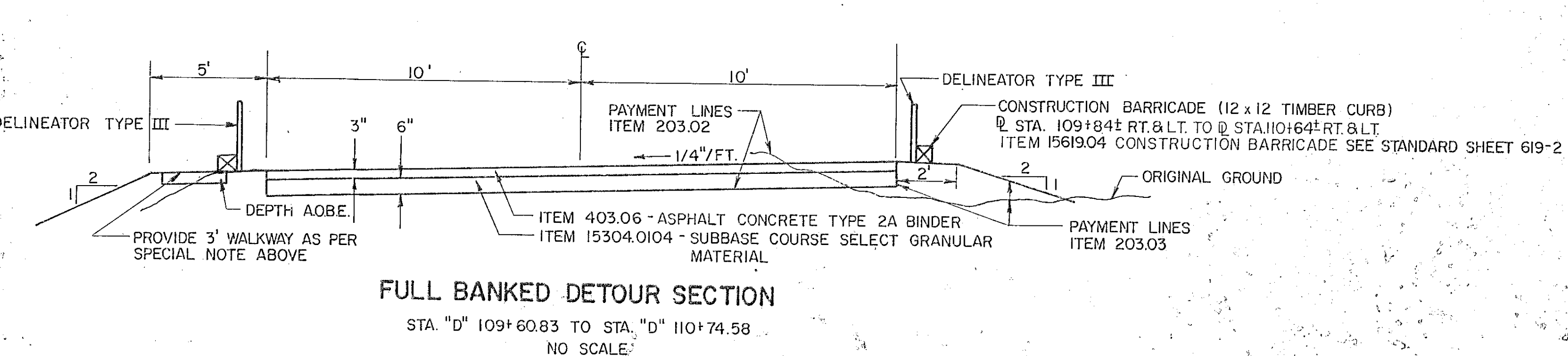
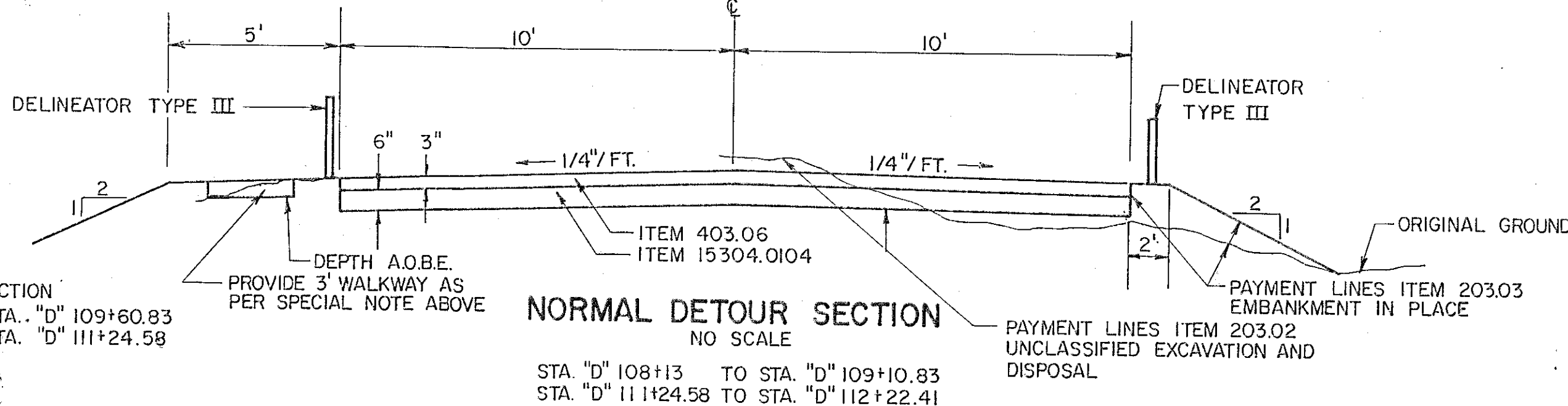
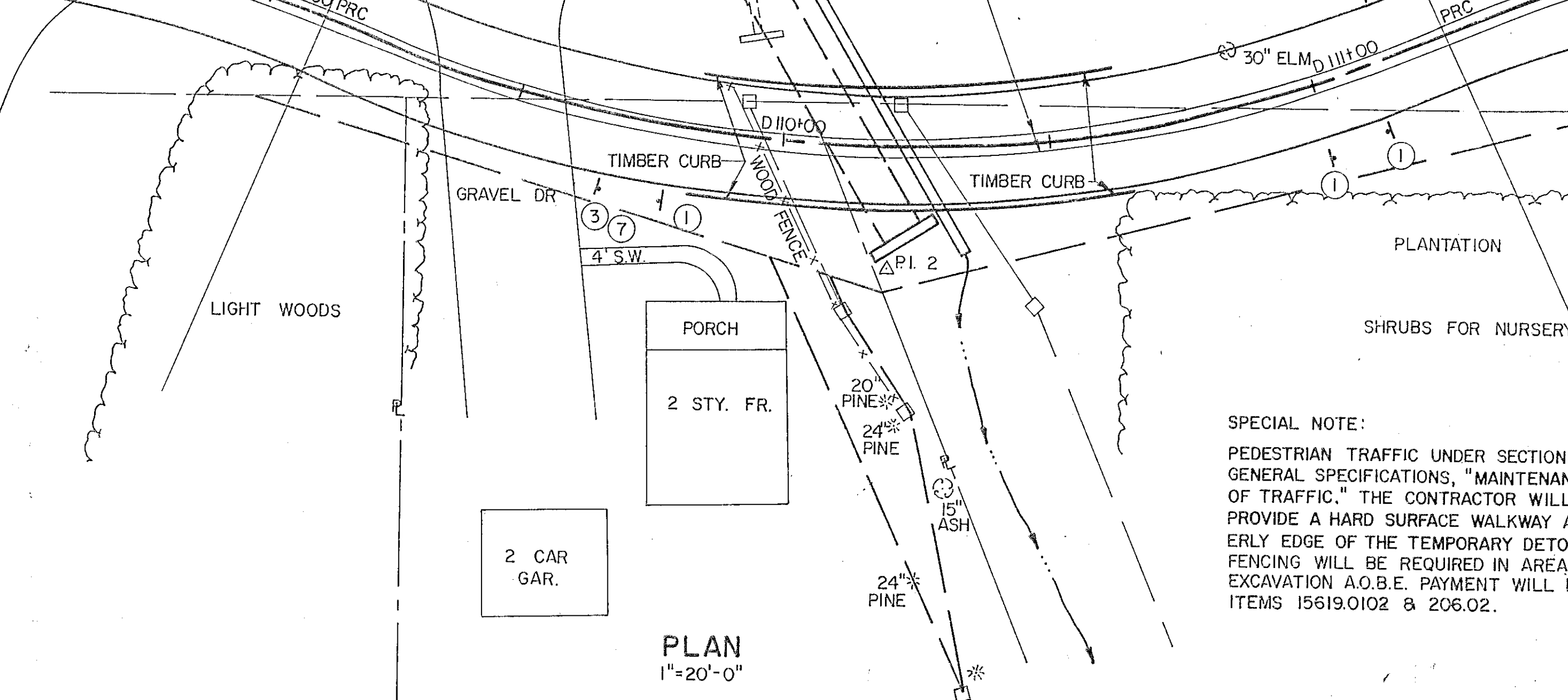
DESIGNED BY *[Signature]* DATED 1/19/75 CHECKED BY *[Signature]* DATED 3-27-75 REVIEWED BY *[Signature]* DATED 1/19/75  
 IN CHARGE OF *[Signature]*



**CURVE I DATA "D" LINE**  
 P.I. STA. 108+62.55  
 P.C. STA. 108+13  
 P.T. STA. 109+10.83 = P.R.C.  
 Dc = 23°  
 R = 249.11'  
 T = 49.55'  
 Lc = 97.83'  
 Δc = 22.5°

**CURVE II DATA "D" LINE**  
 P.I. STA. 110+23.83  
 P.R.C. STA. 109+10.83  
 P.R.C. STA. 111+24.58 = P.C.  
 Dc = 21.52°  
 R = 266.19' = 266.24'  
 T = 113.00'  
 Lc = 213.75'  
 Δc = 46°

**CURVE III DATA "D" LINE**  
 P.I. STA. 111+74.13  
 P.C. STA. 111+24.58 = P.R.C.  
 P.T. STA. 112+22.41  
 Dc = 23°  
 R = 249.11'  
 T = 49.55'  
 Lc = 97.83'  
 Δc = 22.5°



**SPECIAL NOTE:**  
 PEDESTRIAN TRAFFIC UNDER SECTION 619 OF THE GENERAL SPECIFICATIONS, "MAINTENANCE AND PROTECTION OF TRAFFIC." THE CONTRACTOR WILL BE REQUIRED TO PROVIDE A HARD SURFACE WALKWAY ALONG THE NORTHERLY EDGE OF THE TEMPORARY DETOUR; IN ADDITION, FENCING WILL BE REQUIRED IN AREAS OF OPEN EXCAVATION A.O.B.E. PAYMENT WILL BE MADE UNDER ITEMS 15619.0102 & 206.02.

TEXT	N.Y.S. MUTCD. NO. OR STANDARD SHEETS	TEXT NO.
	W7	①
	W5A-L	②
	W5-R	③
	D110-R	④
	D110-L	⑤
	W146B	⑥
	W161B	⑦
	R200	⑧
	W145	⑨

- NOTES:**
- THE COST OF FURNISHING, RELOCATING AND REMOVING THE SIGNS SHALL BE INCLUDED IN THE PRICE BID FOR ITEM 15619.02 CONSTRUCTION SIGNS. ALL WARNING SIGNS SHALL BE BLACK AND ORANGE.
  - THE CONTRACTOR WILL BE REQUIRED TO FURNISH WATCHMAN SERVICE UNDER ITEM 15619.12 IN ACCORDANCE WITH REQUIREMENT C OF THE STANDARD SPECIFICATIONS.
  - THE DETOUR WILL BE REMOVED UNDER ITEM 203.02, UNCLASSIFIED EXCAVATION AND DISPOSAL.
  - FOR LEGEND SEE MANUAL OF UNIFORM TRAFFIC CONTROL DEVICES, APPENDIX 7

TOWN OF BETHLEHEM, NEW YORK  
 DEPARTMENT OF PUBLIC WORKS  
**- OFFICE COPY -**

**MAINT. & CONST. DETOUR PLAN**  
 STATE OF NEW YORK  
 DEPARTMENT OF TRANSPORTATION

DATE	SCALE	DRAWING #
	AS SHOWN	DT-1