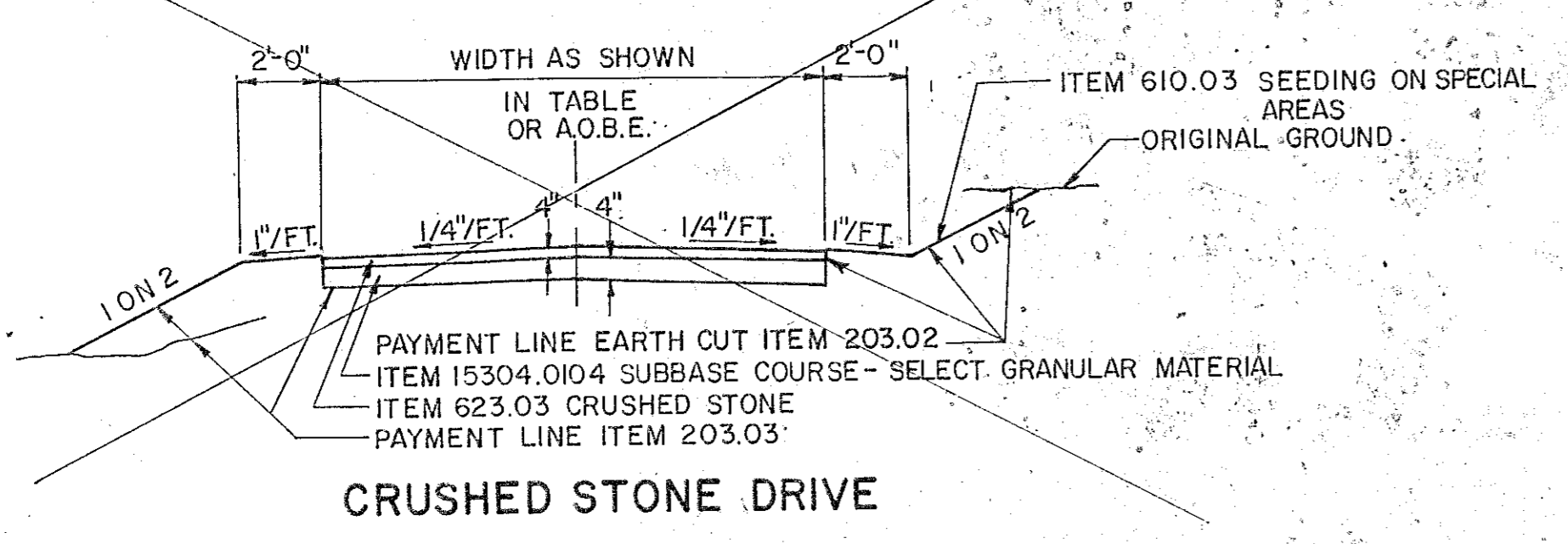
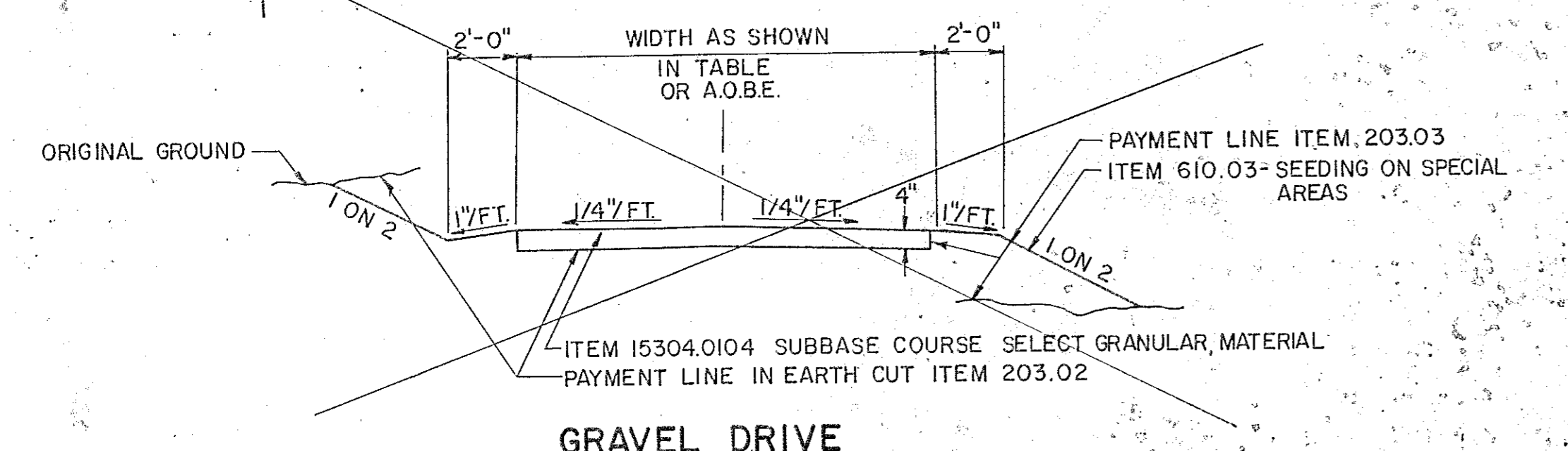
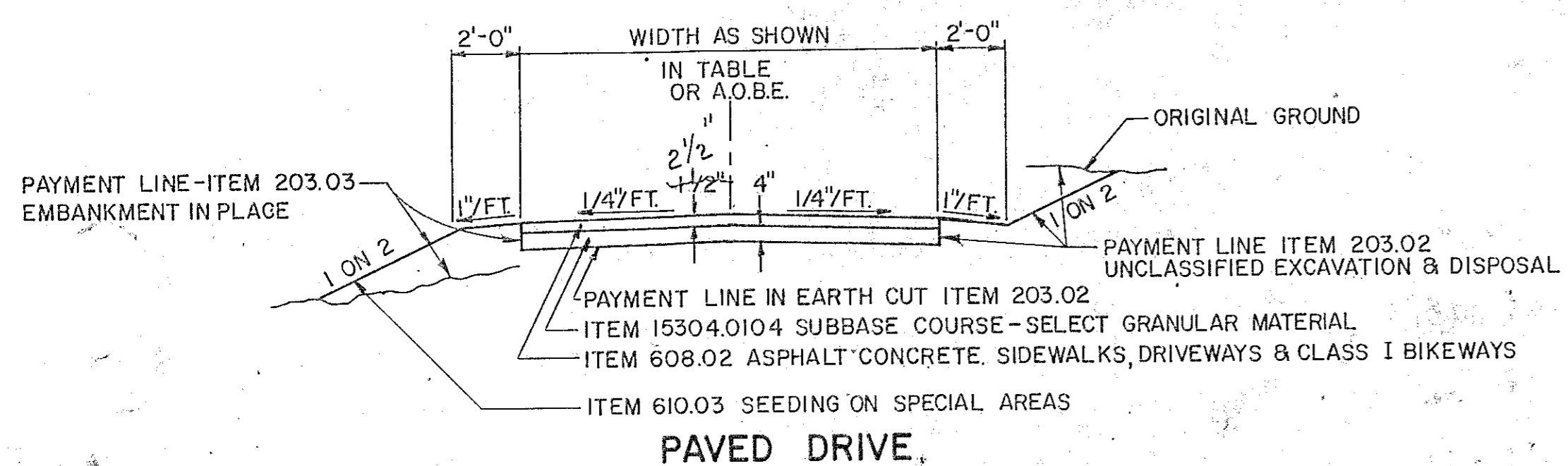


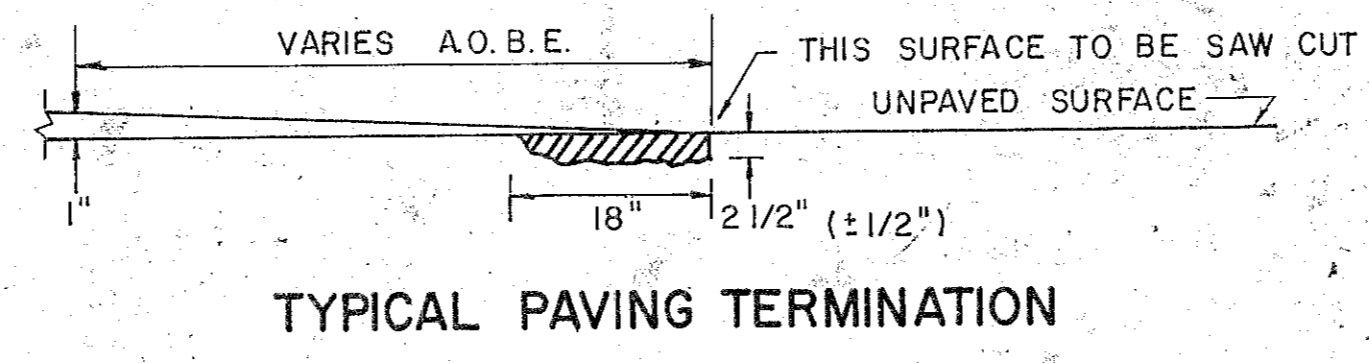
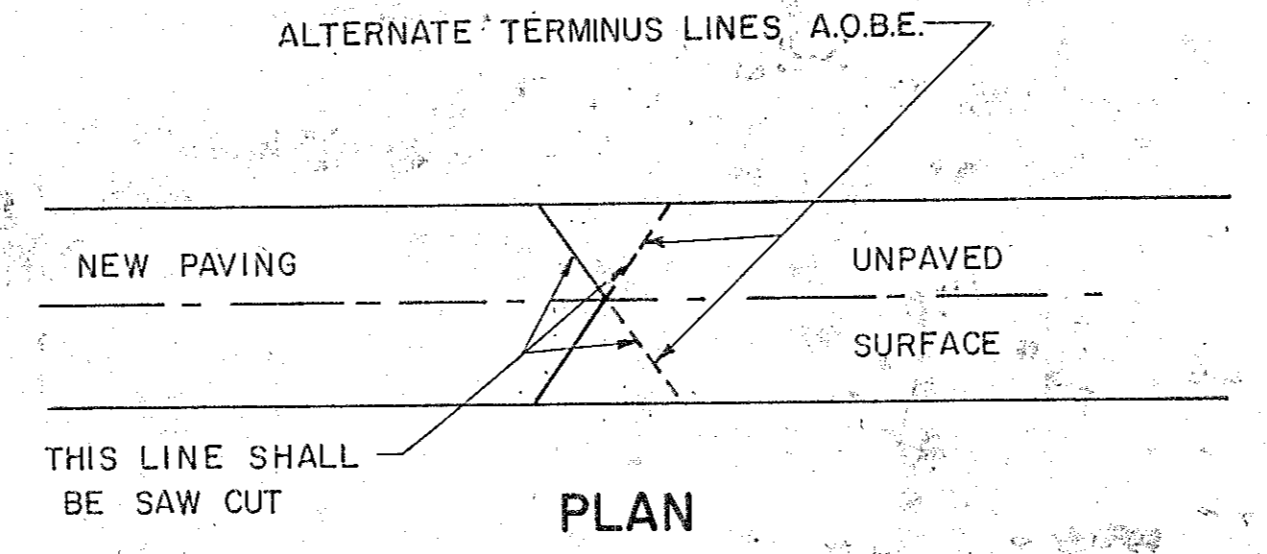
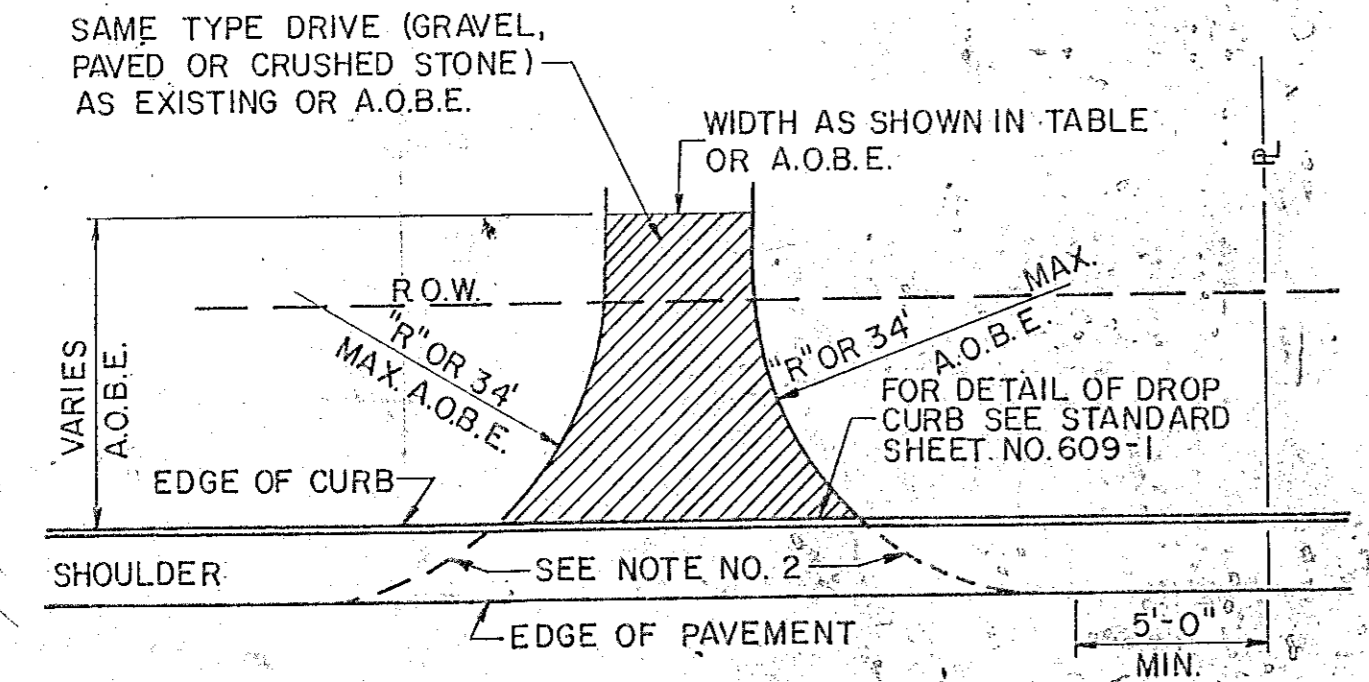
FED. ROAD REG. NO.	STATE	FEDERAL AID PROJECT NO.	SHEET NO.	TOTAL SHEETS
1	N.Y.		62	15
DELAWARE PT 2, S.H. 41				
ALBANY COUNTY				

BAR LIST FOR STRUCTURES				
TYPE	NO. OF BARS	SIZE	LENGTH	
5CSH-4	9	# 5	VARIES	TOTAL = 251'
5CSV-4	21	# 5	VARIES	TOTAL = 132'

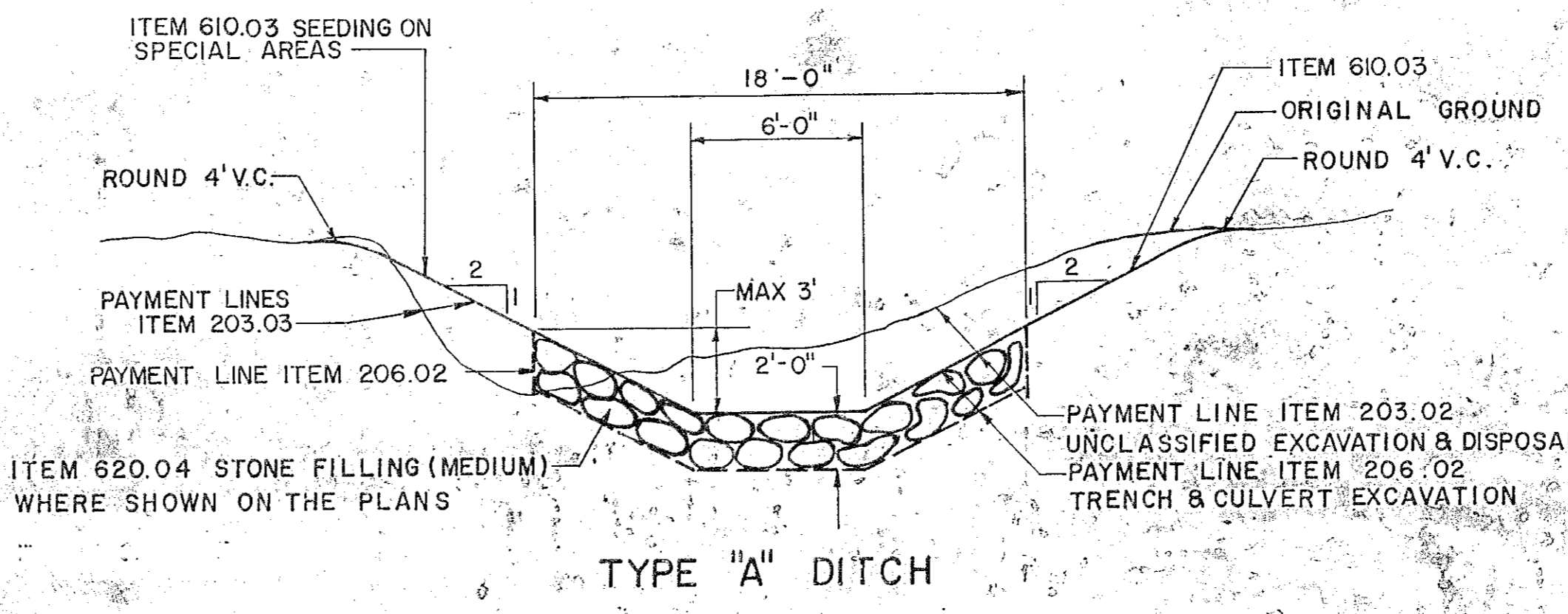
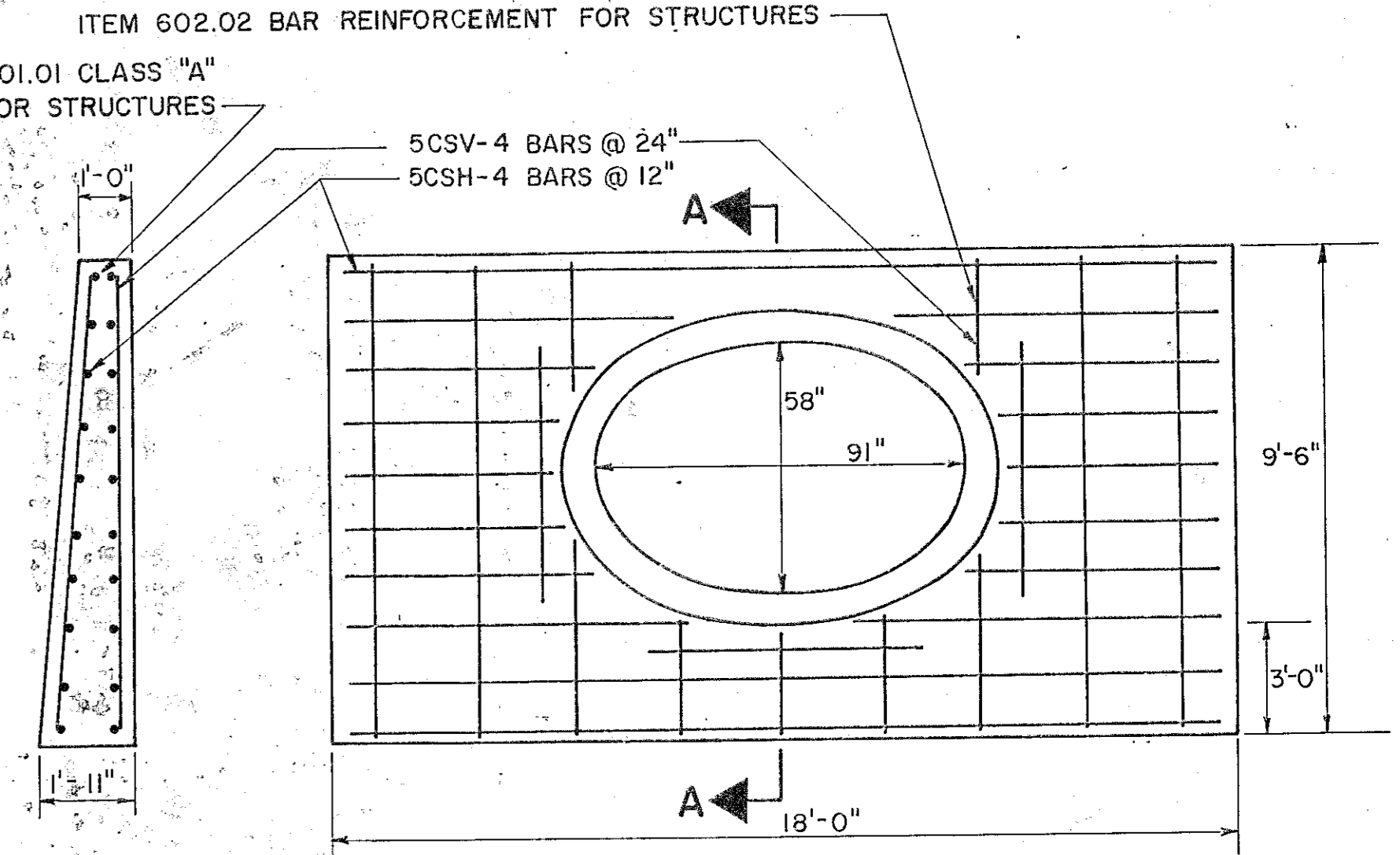
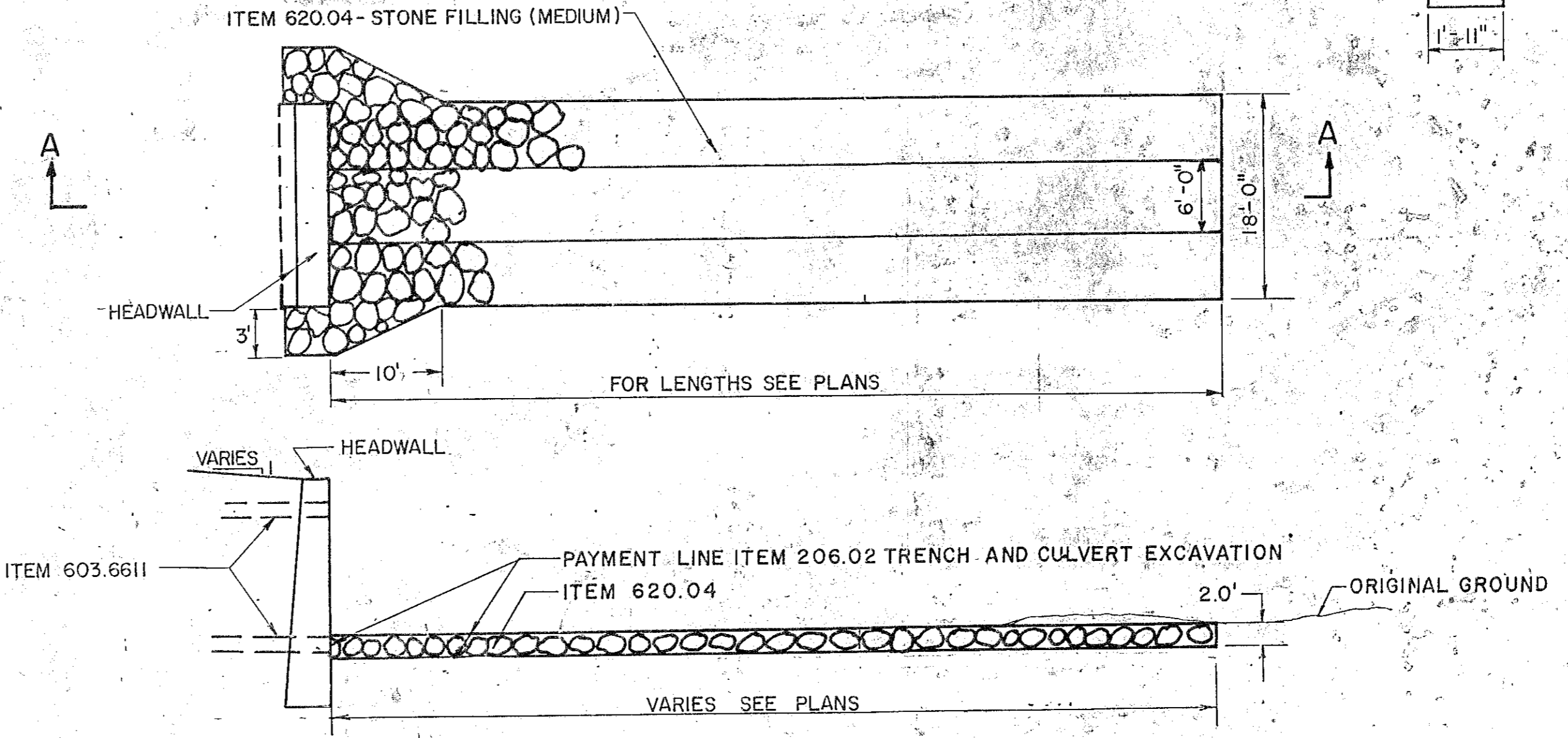
NOTE: Sta. 109+82  
Trash Racks Installed  
Inlet & outlet on Headwalls  
of 58" x 91" RCHP  
15.7" side



NOTES:  
1. DRIVEWAYS WILL BE CONSTRUCTED IN ACCORDANCE WITH "STATE OF NEW YORK DEPARTMENT OF TRANSPORTATION POLICY AND STANDARDS FOR ENTRANCES TO STATE HIGHWAYS" AS ADOPTED JANUARY 1, 1973.  
2. RADII WILL BE SHOWN IN "POLICY AND STANDARDS FOR ENTRANCES TO STATE HIGHWAY" OR A.O.B.E.



NOTE:  
BUTT JOINTS WILL BE REQUIRED AT THE TERMINATION OF ALL NEW PERMANENT MAINLINE PAVING. NO FEATHERING WILL BE PERMITTED. THE COST OF LABOR, MATERIAL, AND EQUIPMENT NECESSARY SHALL BE INCLUDED IN THE UNIT PRICE BID FOR ITEM 403.02 - ASPHALT CONCRETE, TYPE IAF TOP (HIGH FRICTION).



TOWN OF BETHLEHEM, NEW YORK  
DEPARTMENT OF PUBLIC WORKS  
- OFFICE COPY -

0 1 2 INCHES

MISCELLANEOUS DETAILS			
STATE OF NEW YORK DEPARTMENT OF TRANSPORTATION			
DATE	SCALE	DRAWING #	
	NONE	MD	

DESIGNED BY: [Signature] DATED: 8-27-75 CHECKED BY: [Signature] DATED: 8-27-75 REVIEWED BY: [Signature] DATED: 7/1/77  
 IN CHARGE OF: [Signature]