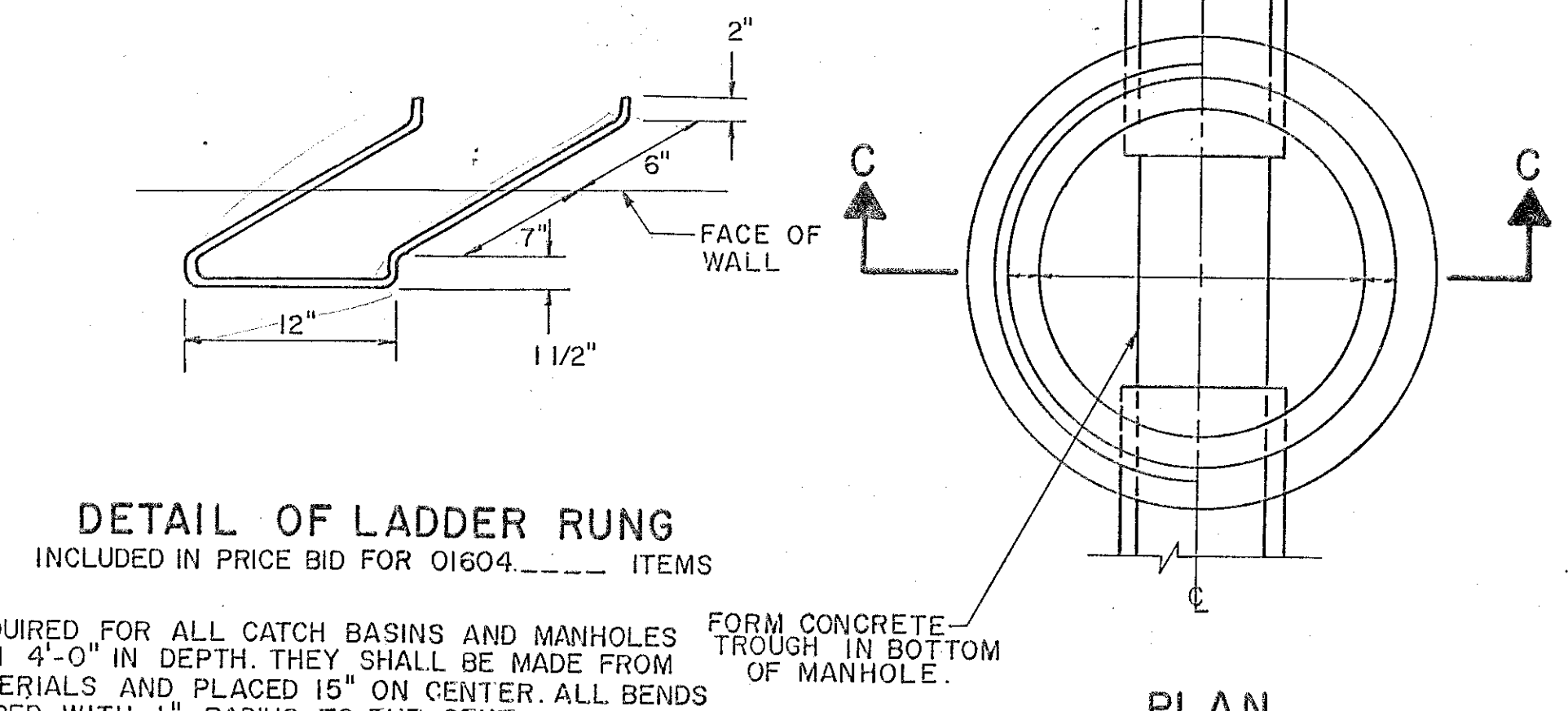
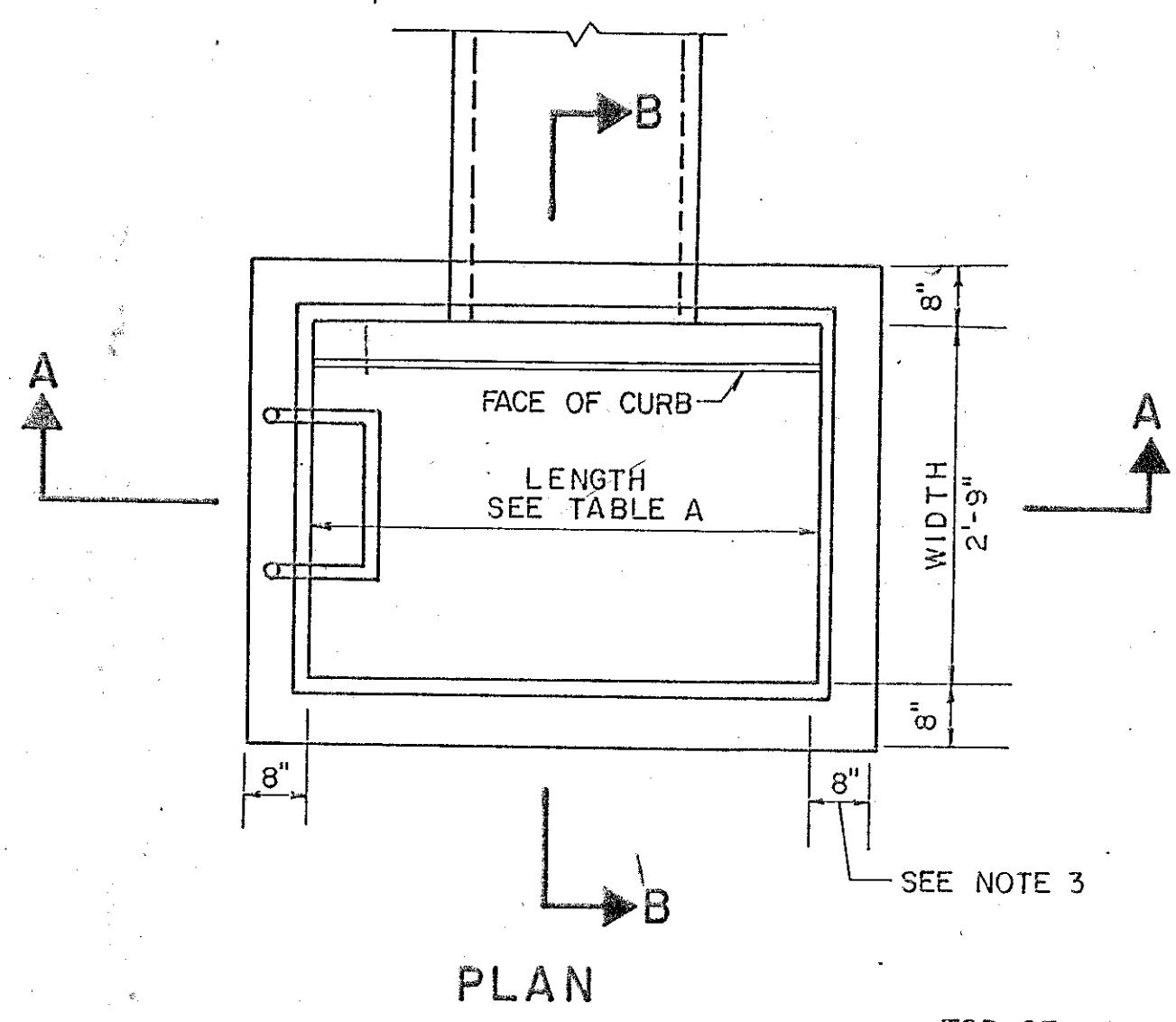


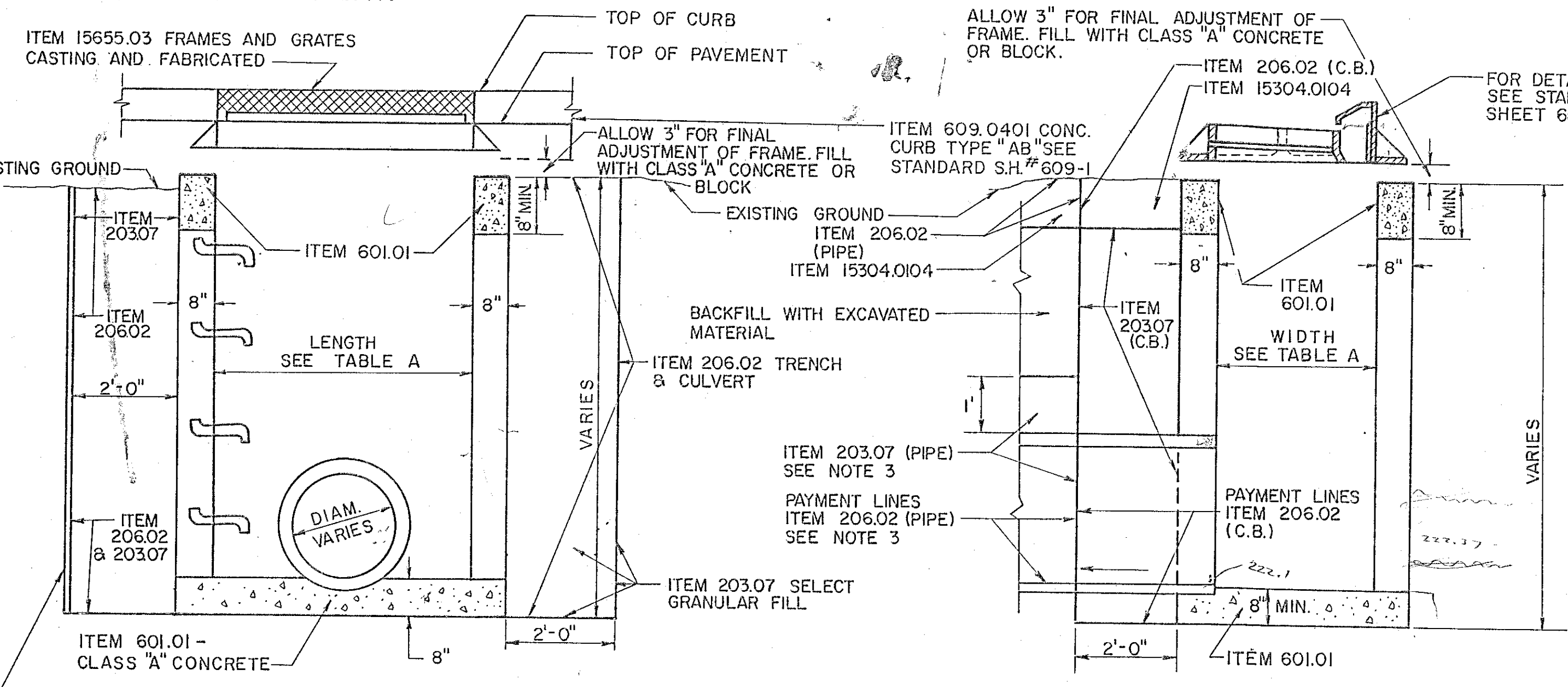
FED. ROAD REG. NO.	STATE	FEDERAL AID PROJECT NO.	SHEET NO.	TOTAL SHEETS
1	N.Y.		7	15
DELAWARE PT.2, S.H. 41				
ALBANY COUNTY				



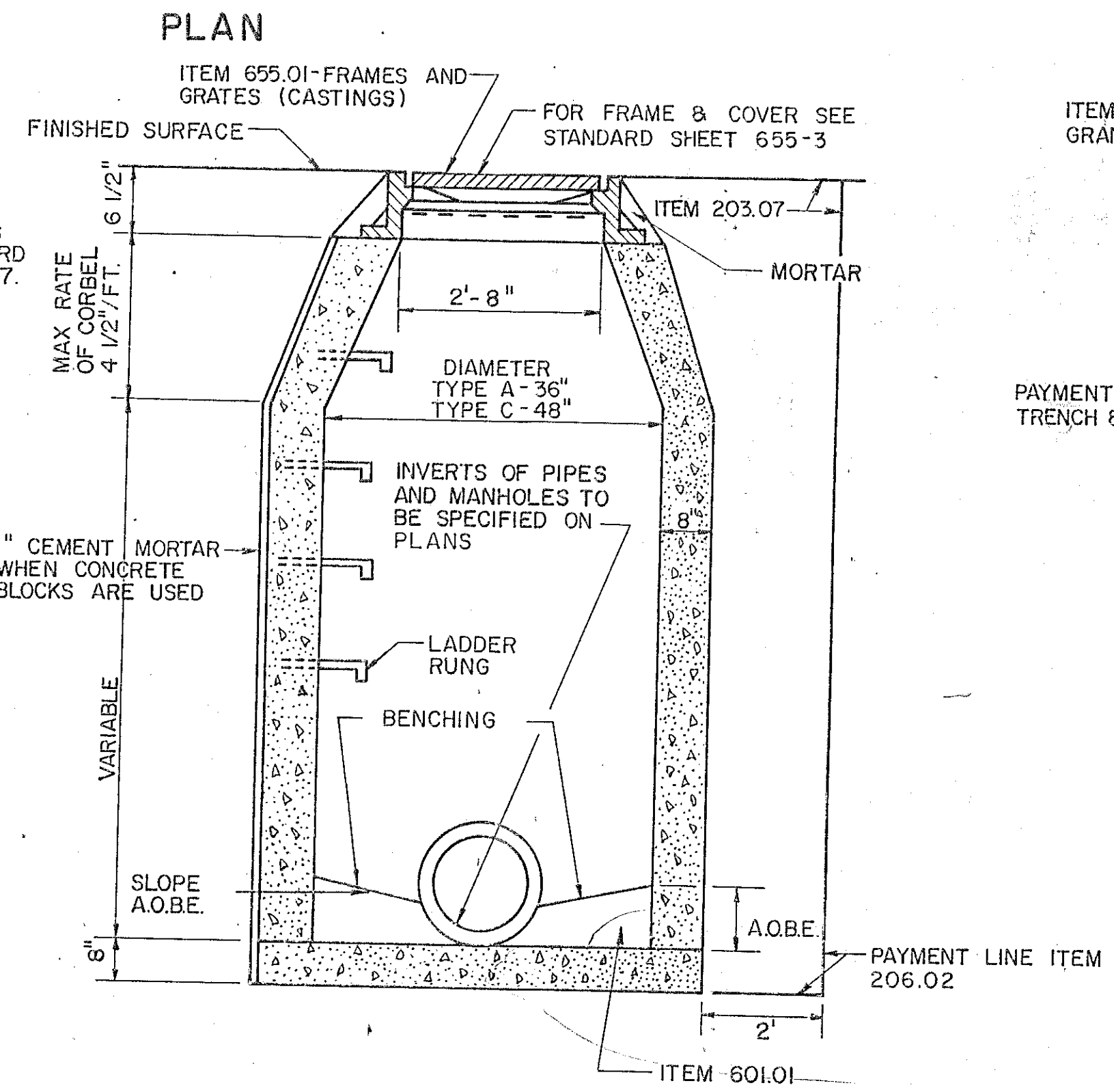
DETAIL OF LADDER RUNG
 INCLUDED IN PRICE BID FOR 01604- ITEMS

RUNGS ARE REQUIRED FOR ALL CATCH BASINS AND MANHOLES GREATER THAN 4'-0" IN DEPTH. THEY SHALL BE MADE FROM APPROVED MATERIALS AND PLACED 15" ON CENTER. ALL BENDS SHALL BE SHAPED WITH 1" RADIUS TO THE CENTER OF THE BAR.

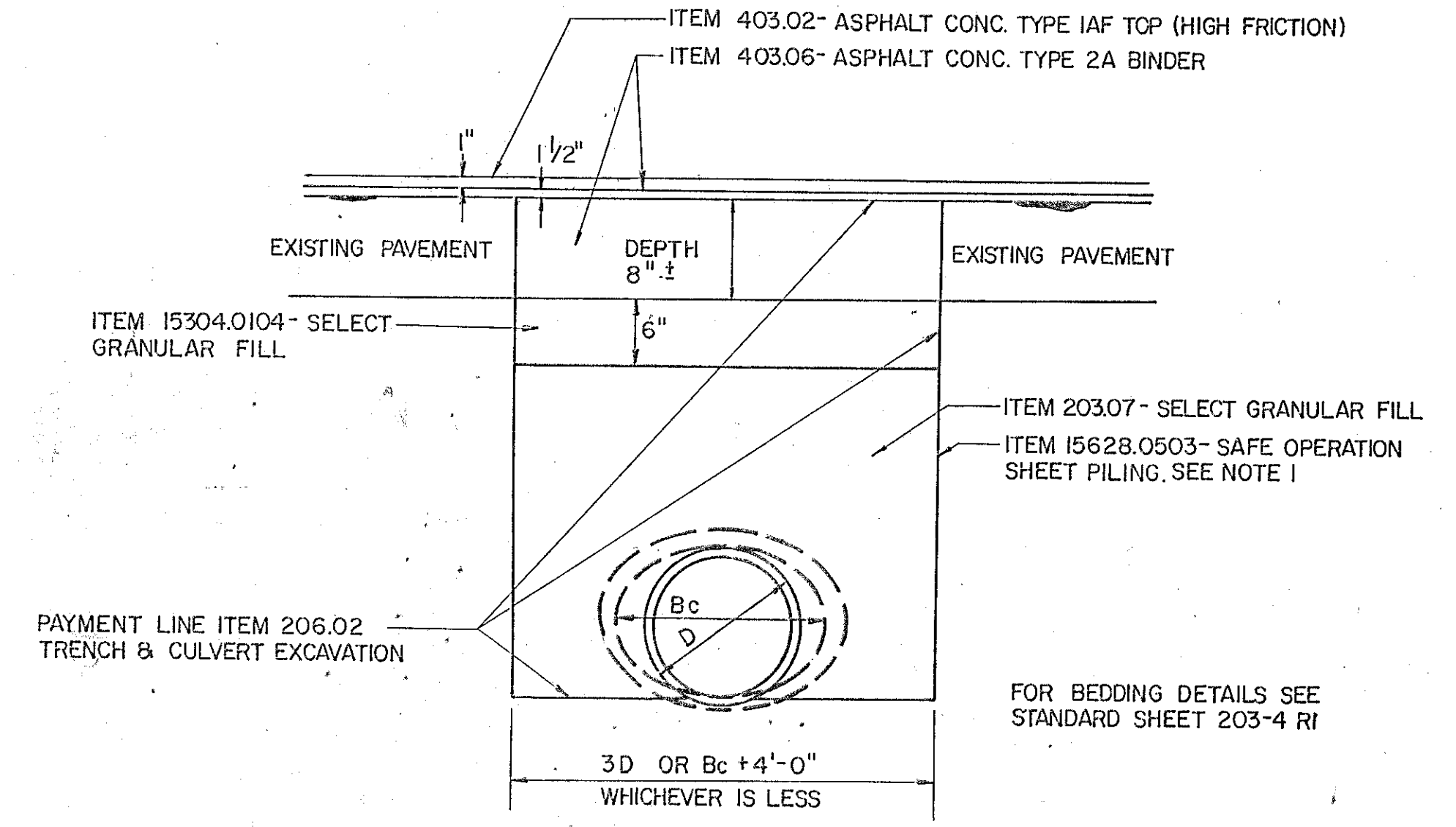
FORM CONCRETE TROUGH IN BOTTOM OF MANHOLE.



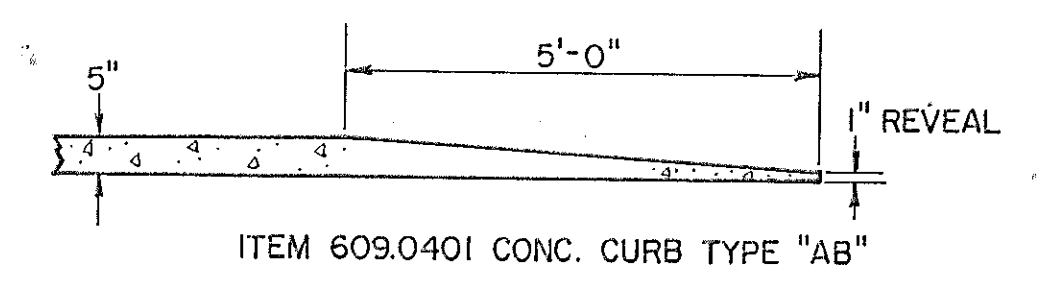
CATCH BASIN DETAIL
NO SCALE



MANHOLE DETAIL
NO SCALE



TYPICAL CULVERT DETAIL ACROSS ROADWAY
NO SCALE



ELEVATION END OF CURB DETAIL
SCALE: HORIZ. 1"=2' VERT. 1"=2'

GENERAL NOTES

1. SHEETING IS REQUIRED FOR ALL EARTH EXCAVATION GREATER THAN 5'-0" UNLESS SPECIFICALLY ORDERED BY THE ENGINEER. PAYMENT WILL BE MADE UNDER ITEM 15628.0503, SAFE OPERATION SHEET PILING.
2. ALL PIPES SHALL BE LAID TO OR CUT FLUSH WITH THE INSIDE WALL OF THE STRUCTURE.
3. FOR PAYMENT LINES OF PIPES SEE STANDARD SHEET # 203-5.
4. INDUSTRIAL CODE RULE 53. THE CONTRACTOR WILL BE REQUIRED TO COMPLY WITH INDUSTRIAL CODE PART (RULE NO.) 53

ITEM	TYPE	FRAME	INSIDE WIDTH	INSIDE LENGTH	C.B. OR MH.
01604.0201	A	G1	2'-9"	2'-2 1/2"	C.B.
01604.0202	B	G2	2'-9"	3'-0 1/2"	C.B.
01604.0401	A		3'-0" DIA.		M.H.
01604.0403	C		4'-0" DIA.		M.H.

TOWN OF BETHLEHEM, NEW YORK
 DEPARTMENT OF PUBLIC WORKS
- OFFICE COPY -

DRAINAGE DETAILS

STATE OF NEW YORK
 DEPARTMENT OF TRANSPORTATION

DATE	SCALE	DRAWING #
	NONE	D-1