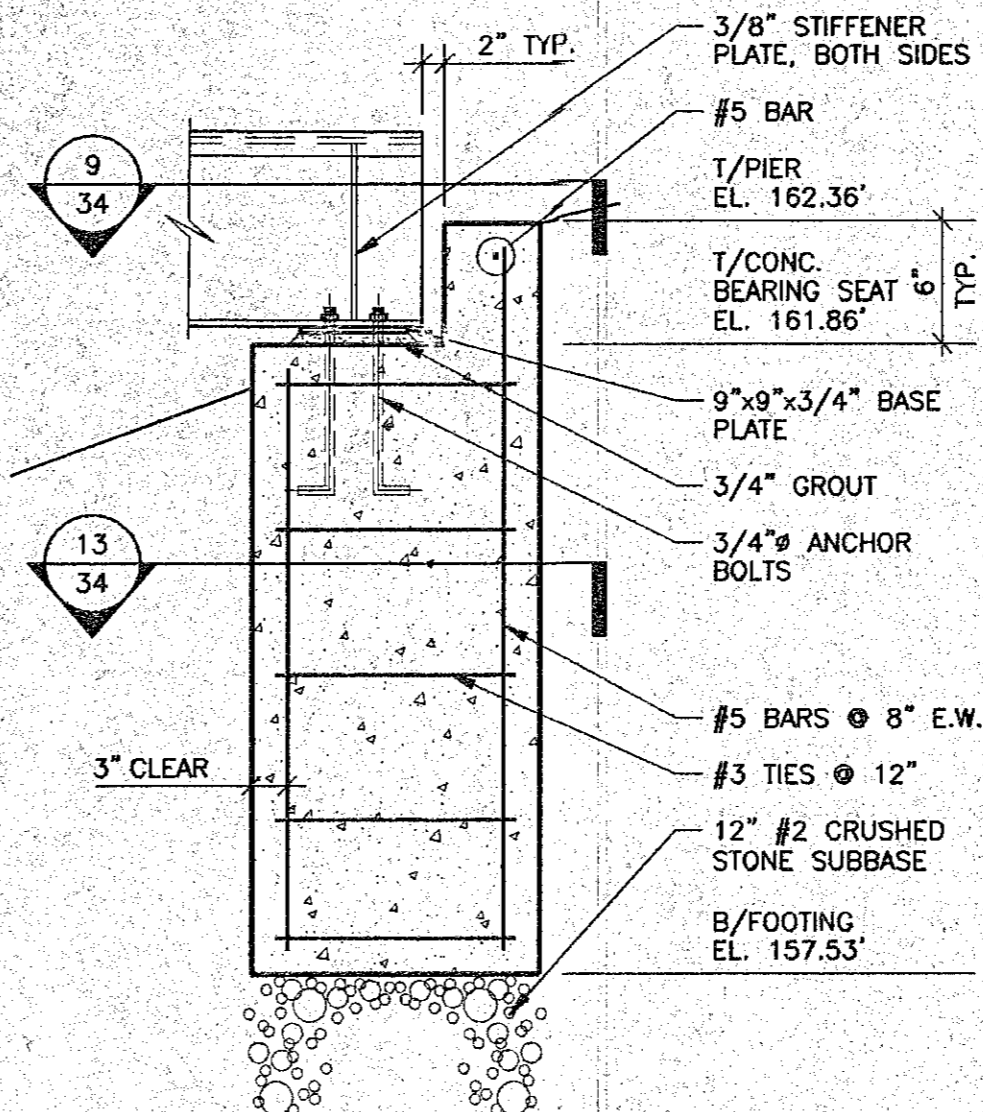
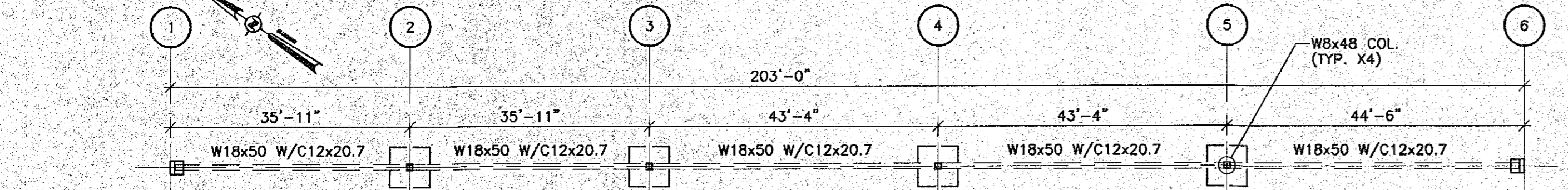


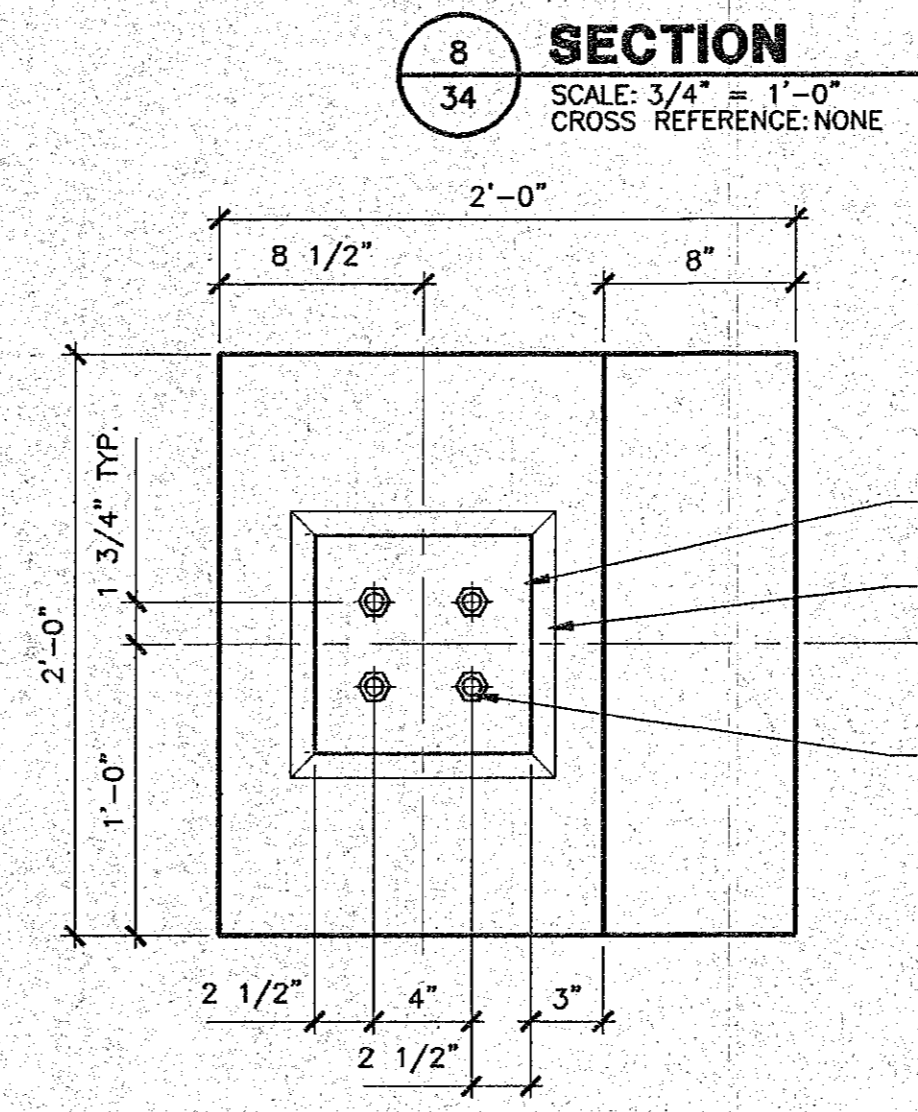
1 PIPE BRIDGE SECTION
 SCALE: 1/16" = 1'-0"
 CROSS REFERENCE: NONE



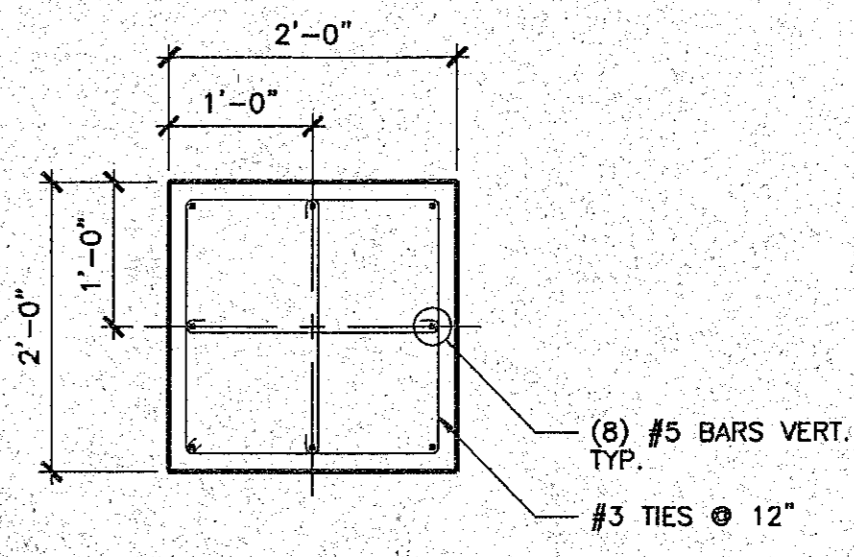
12 TYP. BASE PLATE DETAIL
 SCALE: 1 1/2" = 1'-0"
 CROSS REFERENCE: NONE



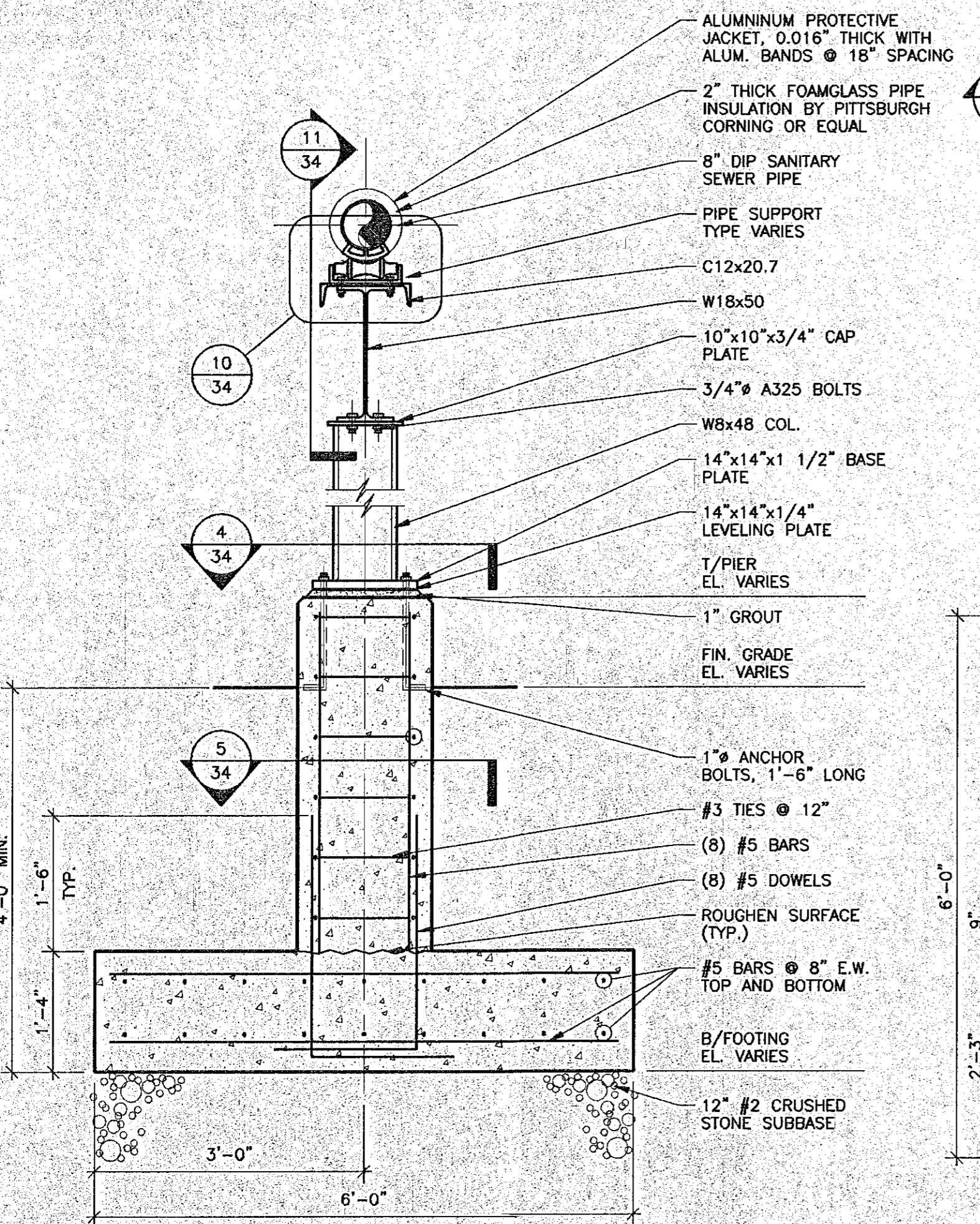
2 PIPE BRIDGE PLAN
 SCALE: 1/16" = 1'-0"
 CROSS REFERENCE: NONE



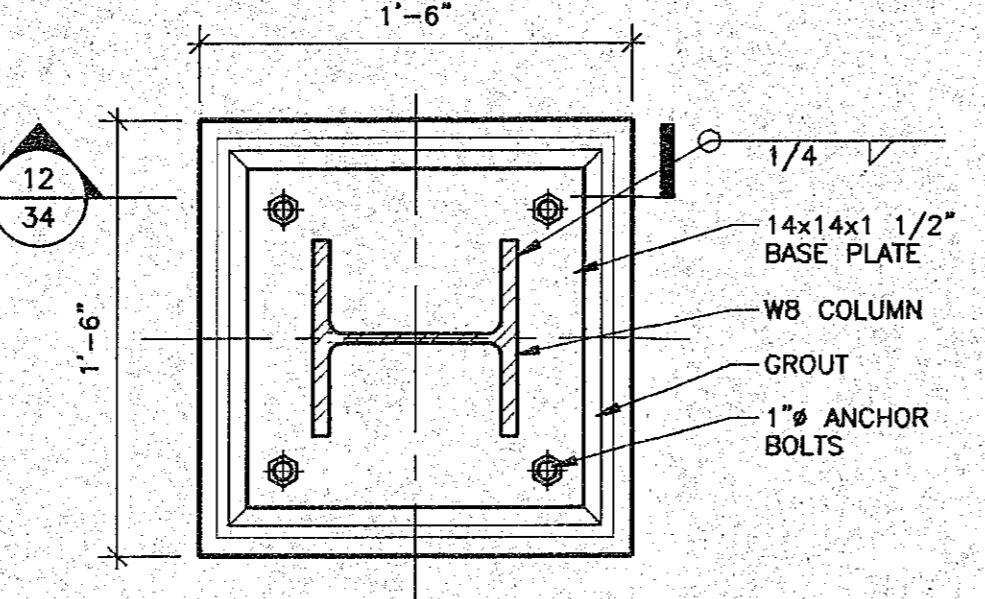
8 SECTION
 SCALE: 3/4" = 1'-0"
 CROSS REFERENCE: NONE



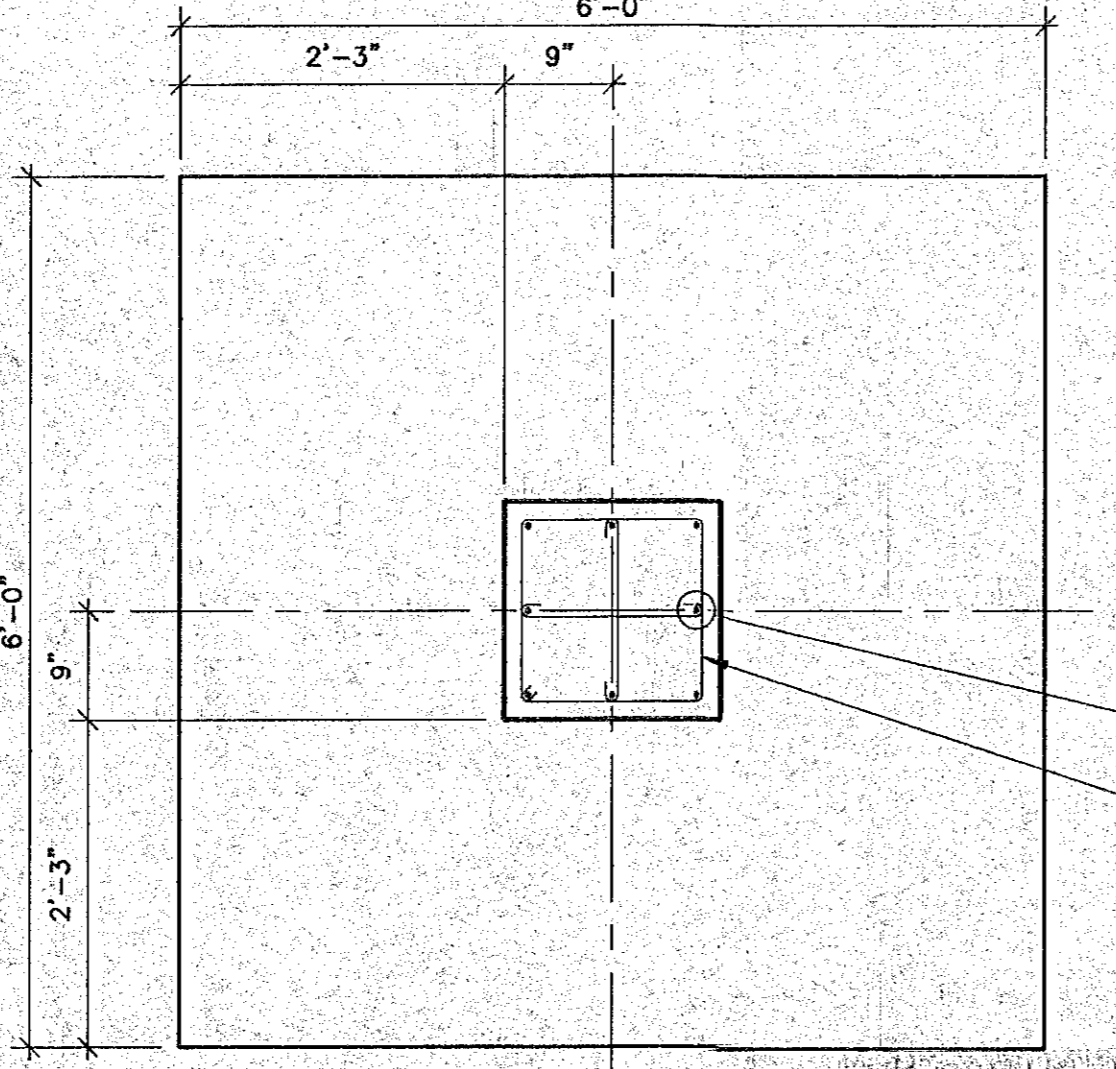
13 SECTION
 SCALE: 3/4" = 1'-0"
 CROSS REFERENCE: NONE



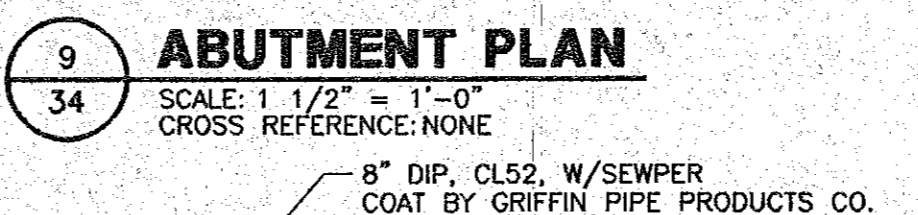
3 SECTION
 SCALE: 3/4" = 1'-0"
 CROSS REFERENCE: NONE



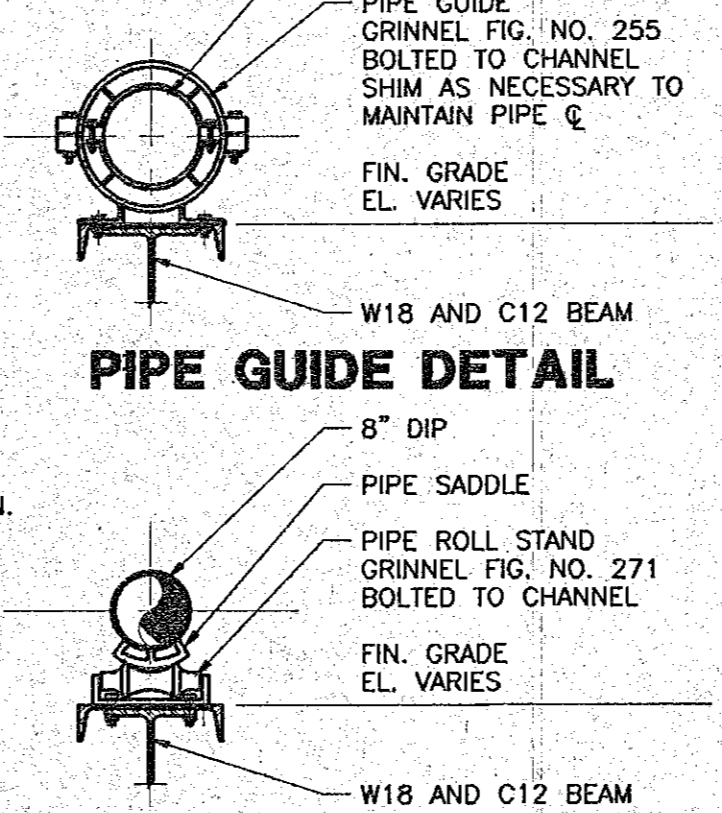
4 PIER DETAIL
 SCALE: 1 1/2" = 1'-0"
 CROSS REFERENCE: NONE



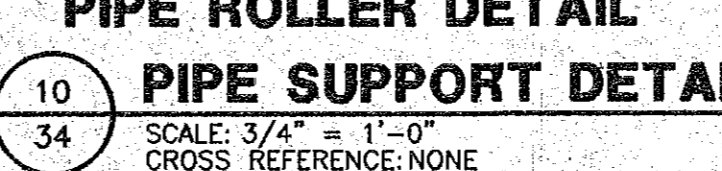
5 PIER SECTION
 SCALE: 3/4" = 1'-0"
 CROSS REFERENCE: NONE



9 ABUTMENT PLAN
 SCALE: 1 1/2" = 1'-0"
 CROSS REFERENCE: NONE

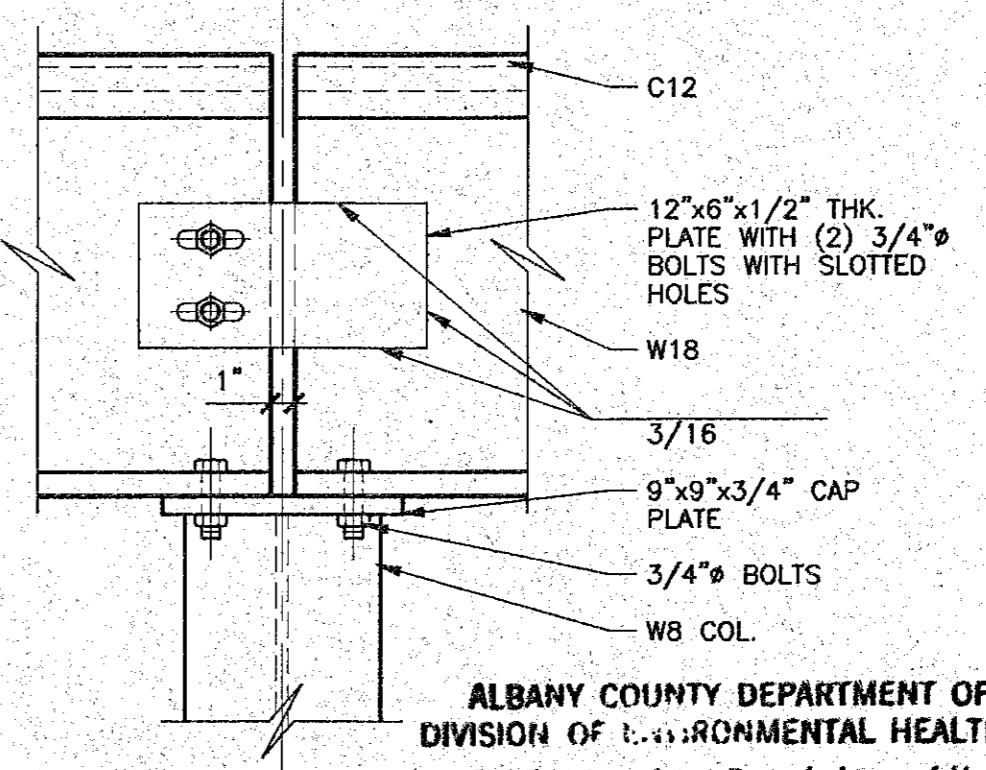


PIPE GUIDE DETAIL

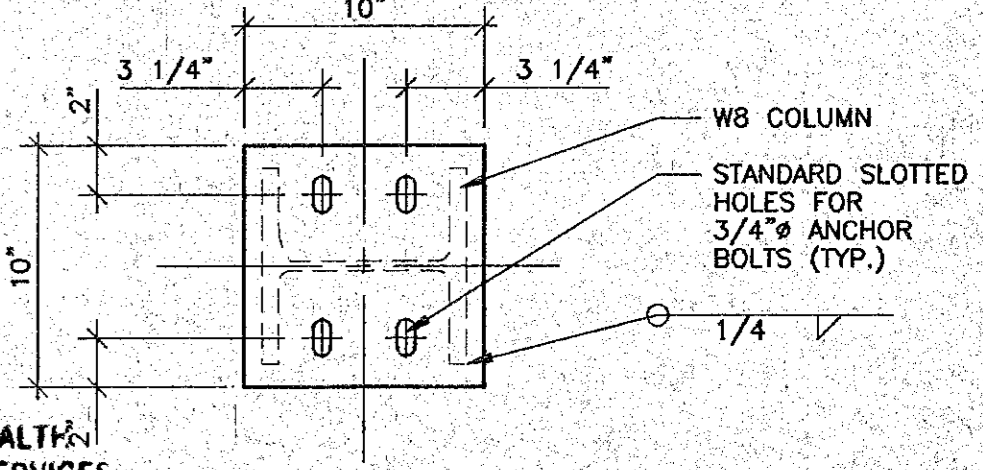


PIPE ROLLER DETAIL

10 PIPE SUPPORT DETAILS
 SCALE: 3/4" = 1'-0"
 CROSS REFERENCE: NONE



6 TYP. COLUMN BASE PLATE DETAIL
 SCALE: 1 1/2" = 1'-0"
 CROSS REFERENCE: NONE



7 TYP. COLUMN CAP PLATE DETAIL
 SCALE: 1 1/2" = 1'-0"
 CROSS REFERENCE: NONE

CONCRETE NOTES:

1. PORTLAND CEMENT: ASTM C150, TYPE I OR II.
2. REINFORCING: ASTM A615 DEFORMED BARS, GRADE 60.
3. AIR ENTRAINING ADMIXTURE: ASTM C260. ALL CONCRETE TO BE AIR ENTRAINED 5-7% ±1%.
4. WATER REDUCING ADMIXTURES: ASTM C494.
5. CONCRETE TO BE MOIST CURED FOR NOT LESS THAN 7 DAYS UTILIZING A WETTED BURLAP.
6. NORMAL WEIGHT CONCRETE TO HAVE A MINIMUM 28 DAY COMPRESSIVE STRENGTH OF 4000 PSI WITH A MAXIMUM WATER/CEMENT MATERIALS RATIO OF .44.
7. MAXIMUM CONCRETE SLUMP TO BE 4".
8. CONTRACTOR TO EMPLOY A TESTING AGENCY TO PERFORM CONCRETE TESTS AND TO SUBMIT TEST RESULTS. COMPRESSIVE STRENGTH TESTS: ASTM C34; ONE SET (4 CYLINDERS) FOR EACH DAY POUR; ONE SPECIMEN TESTED AT 7 DAYS, 2 TESTED AT 28 DAYS, ONE SPECIMEN RETAINED FOR FUTURE TESTING.
9. COMPACT SOIL BENEATH SLAB TO 95% MAXIMUM DRY DENSITY ACCORDING TO ASTM D1557 AND MIN. ALLOWABLE BEARING PRESSURE OF 2000 PSF.
10. ALL EXPOSED EDGES OF CONCRETE TO BE CHAMFERED 3/4".
11. REINFORCING SHOP DRAWINGS TO BE SUBMITTED TO ENGINEER FOR REVIEW PRIOR TO FABRICATION.
12. REINFORCING COVER TO BE 3" CLEAR TYP.

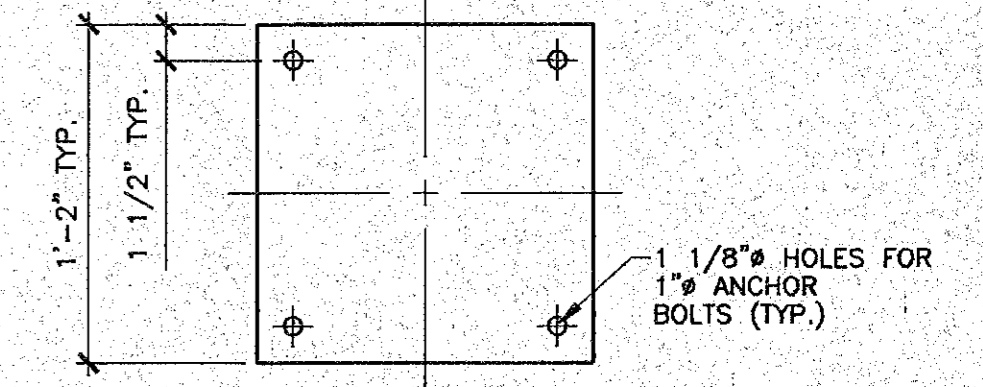
STEEL NOTES:

1. STRUCTURAL STEEL SHAPES AND PLATES: ASTM A-242
2. HIGH STRENGTH STEEL BOLTS: ASTM A-325
3. ANCHOR BOLTS: ASTM A-307
4. WELDING ELECTRODES: AWS E70
5. PROVIDE NONMETALLIC, SHRINKAGE RESISTANT GROUT, PREMIXED, ASTM C 1107, OF CONSISTENCY SUITABLE FOR APPLICATION.
6. STRUCTURAL STEEL SHOP DRAWINGS TO BE SUBMITTED TO ENGINEER FOR REVIEW PRIOR TO FABRICATION.

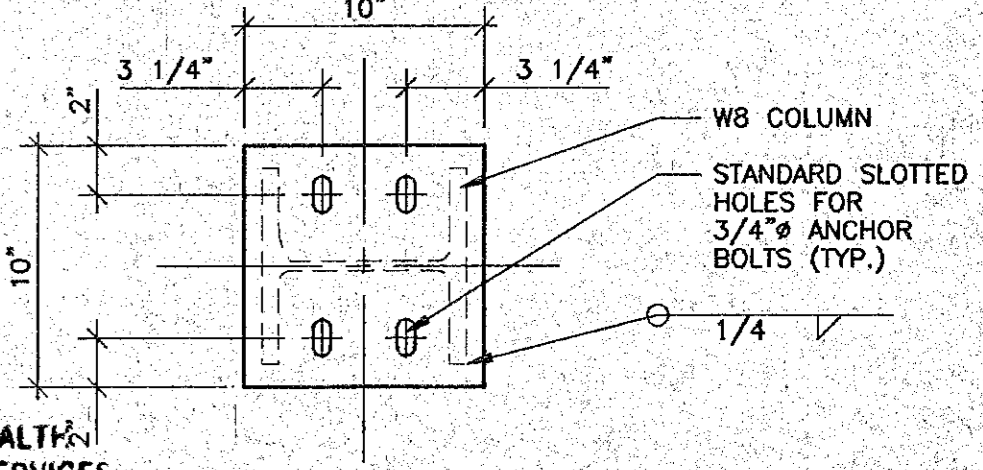
GENERAL NOTES:

1. DESIGN CODE- NYS UNIFORM BUILDING CODE
2. ALLOWABLE SOIL BEARING PRESSURE ASSUMED TO BE 2000 PSF.

APPLICANT/OWNER/DEVELOPER
 SLINGERLANDS GROUP, LTD.
 835 KENWOOD AVENUE
 SLINGERLANDS, NY 12159



6 TYP. COLUMN BASE PLATE DETAIL
 SCALE: 1 1/2" = 1'-0"
 CROSS REFERENCE: NONE



7 TYP. COLUMN CAP PLATE DETAIL
 SCALE: 1 1/2" = 1'-0"
 CROSS REFERENCE: NONE

NOTE: SPACING FOR PIPE SUPPORTS TO BE 6'-0" MAX. ALTERNATE BETWEEN PIPE GUIDE SUPPORT AND PIPE ROLLER SUPPORT TO ALLOW FOR THERMAL EXPANSION.

GARY E. HOFFMAN
 P.E. 64079
 STATE OF NEW YORK
 LICENSED PROFESSIONAL ENGINEER

DATE	REVISIONS RECORD/ DESCRIPTION	DRAFTER	CHECK	APPR.	UNAUTHORIZED ALTERATION OR ADDITION TO THIS DOCUMENT IS A VIOLATION OF SECTION 7209 SUBDIVISION 2 OF THE NEW YORK STATE EDUCATION LAW.
2/5/99	REVISED PER RYAN BIGGS REVIEW COMMENTS	REV	GEH		
5/18/99	REVISED PER REVIEW COMMENTS	REV	GEH		
5/27/99	REVISED PER T/O BETHLEHEM 5/26/99 LETTER	JAM	GEH		
6/6/99	REVISED DETAIL 1/34 PER J. FENZL TELCON	JAM	GEH		

**SANITARY SEWER MH 58 TO MH 57
 PIPE BRIDGE PLAN & DETAILS**

**DOWERSKILL VILLAGE
 PLANNED RESIDENCE DISTRICT NO. 4, SECTION 3**

TOWN OF BETHLEHEM ALBANY COUNTY, NY

C.T. MALE ASSOCIATES, P.C.
 50 CENTURY HILL DRIVE, P.O. BOX 727, LATHAM, NY 12110
 518.786.7400 • FAX 518.786.7299

ARCHITECTURE & BUILDING SYSTEMS ENGINEERING • CIVIL ENGINEERING
 ENVIRONMENTAL SERVICES • SURVEY & LAND INFORMATION SERVICES

SCALE: AS SHOWN
 SHEET 34 OF 36
 DATE: APRIL 2, 1998
 DWG. NO: 90-439