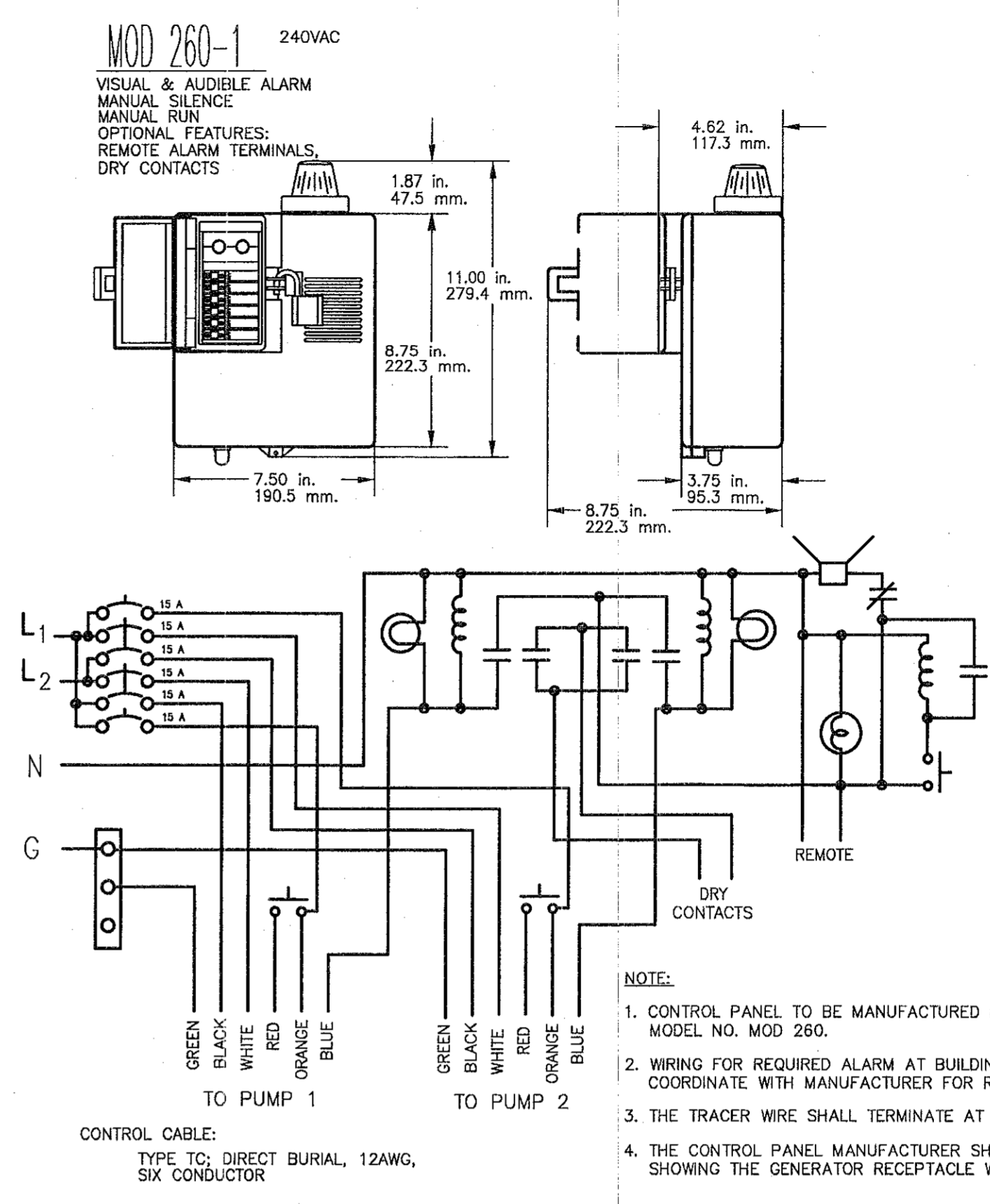
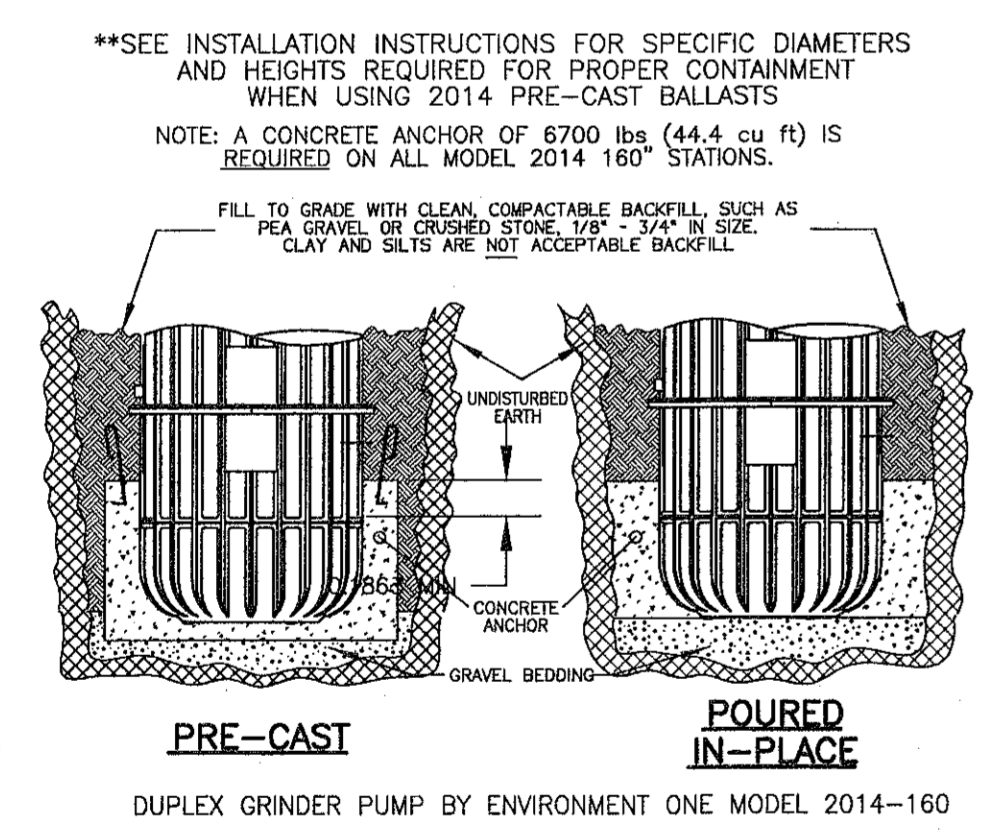


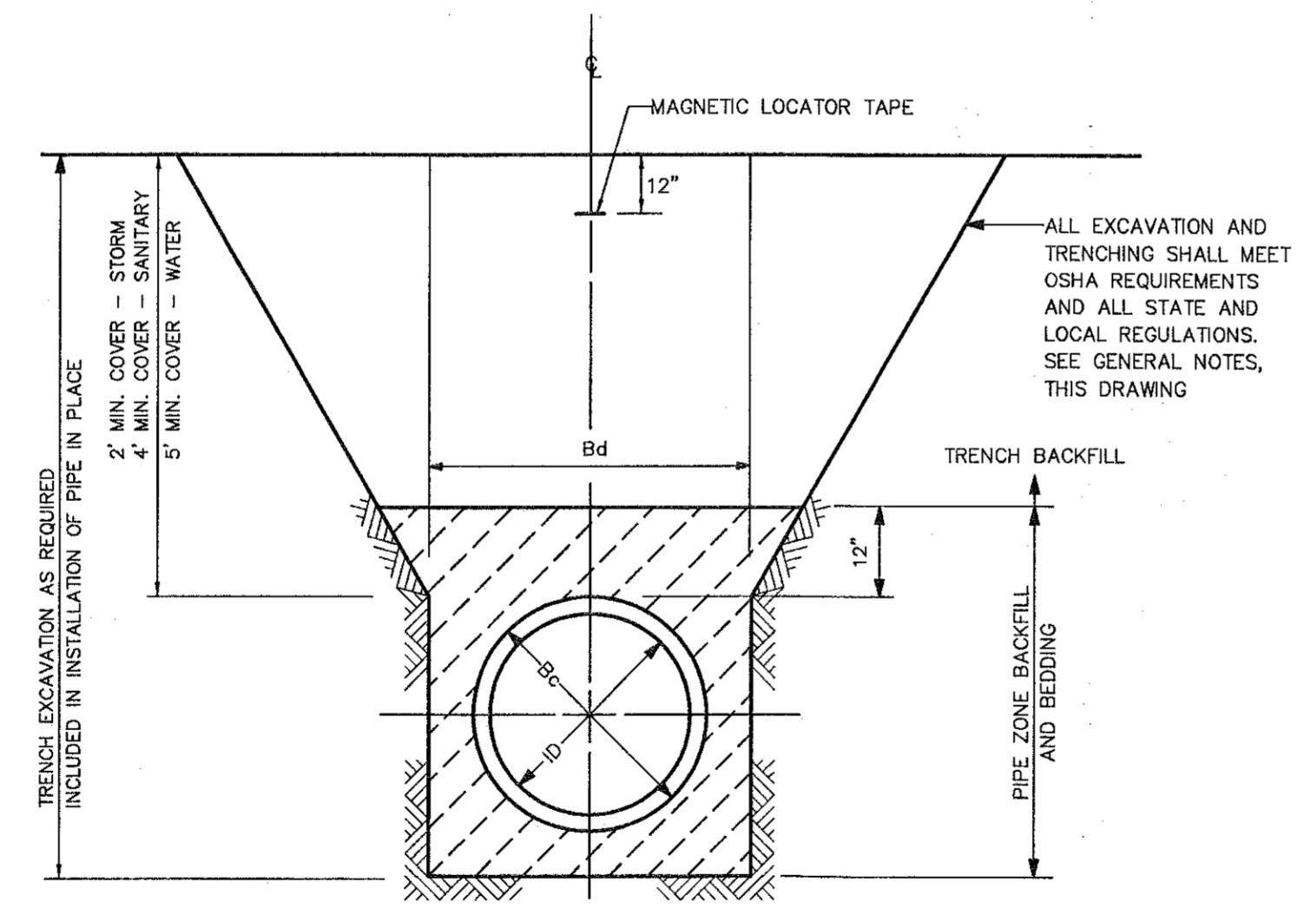
SECTION - GRINDER PUMP DETAIL
 SCALE: NONE
 CROSS REFERENCE:



PUMP STATION CONTROL PANEL
 SCALE: NONE
 CROSS REFERENCE:



GRINDER PUMP DETAIL
 SCALE: NONE
 CROSS REFERENCE:



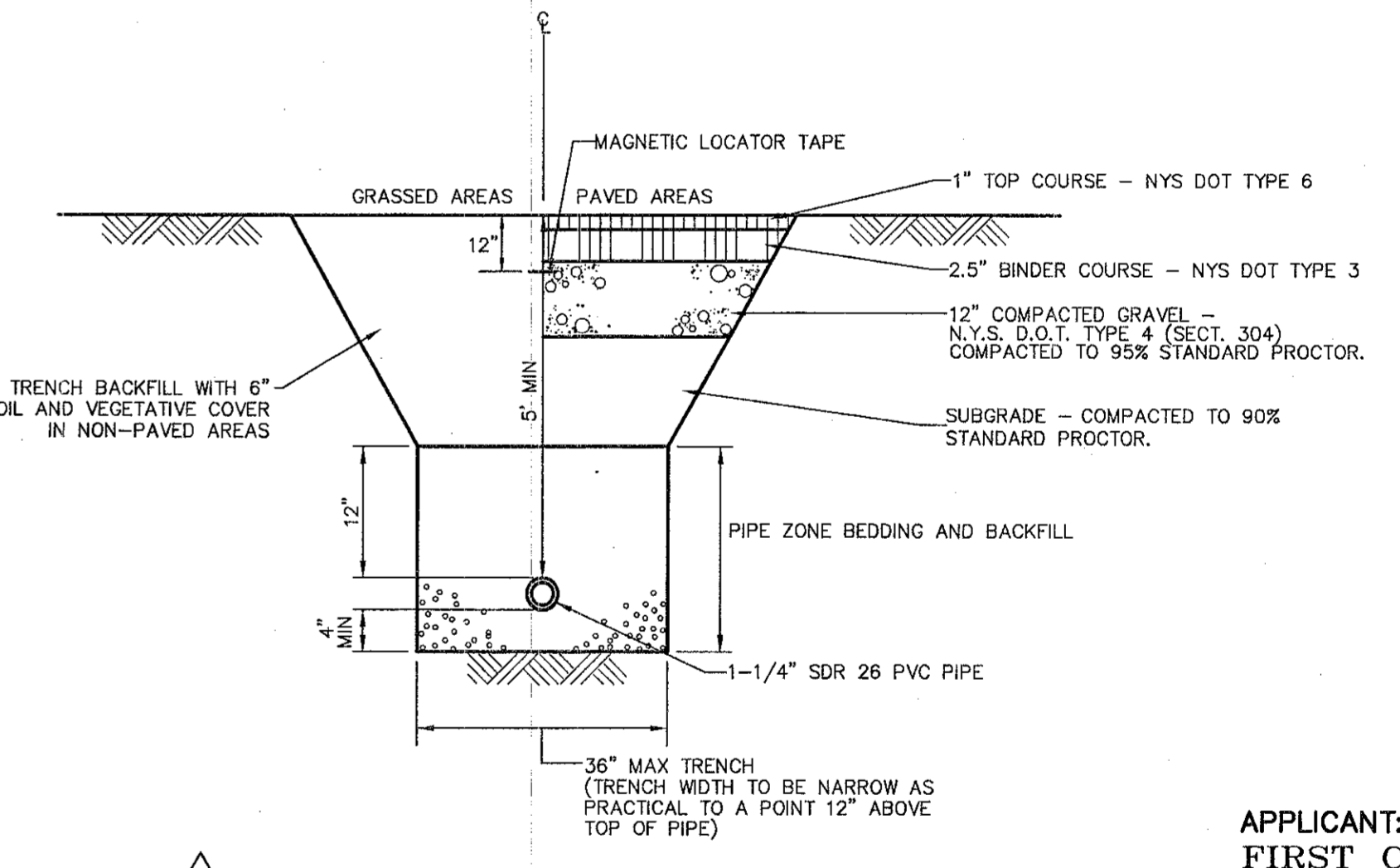
TYPICAL TRENCH DETAIL
 SCALE: NONE
 CROSS REFERENCE:

POLYVINYL CHLORIDE SEWER PIPE SDR 26 WALL

NOMINAL SIZE - ID	MIN WALL THICKNESS T	BARREL OD (AVG) Bc	TRENCH DIMENSIONS					ROCK EXCAVATION BELOW PIPE (d)	
			ID/4	Bc/8	Bc/6	Bc/4	Bd(R)		
6"	0.241"	6.275"	2"	1"	2"	2"	4"	3.0'	6"

1. DIMENSIONS BASED ON POLYVINYL CHLORIDE PIPE SDR 26 WALL. (ASTM D 3034 & ASTM F 679)

GRAVITY SANITARY SEWER SDR 26 PVC PIPE BEDDING
 SCALE: NONE
 CROSS REFERENCE:



FORCE MAIN BEDDING
 SCALE: NONE
 CROSS REFERENCE:

APPLICANT:
FIRST COLUMBIA L.L.C.
 26 Century Hill Drive
 Latham, New York 12113
 Tel: (518) 213-1000
 Fax: (518) 213-1020

TOWN OF BETHLEHEM PLANNING BOARD APPROVAL

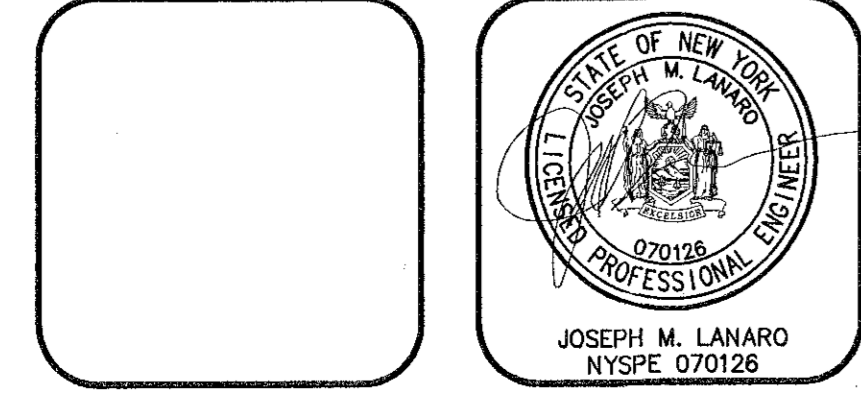
PLANNING BOARD
 TOWN OF BETHLEHEM
 ALBANY COUNTY, NEW YORK

This plat APPROVED subject to such conditions as are stated in Building Project Approval (B/P/A)

No. 34 dated 11-10-04

Joseph M. Lanaro
 Title: CHAIRMAN

Date: MAR 20 2006



ALL RIGHTS RESERVED. COPY OR REPRODUCTION OF THIS PLAN OR ANY PORTION, THEREOF IS PROHIBITED WITHOUT THE WRITTEN PERMISSION OF THE DESIGN ENGINEER, SURVEYOR, OR ARCHITECT.

ALTERATION OF THIS DRAWING, EXCEPT BY A LICENSED P.E. IS ILLEGAL. ANY ALTERATION BY A P.E. MUST BE INDICATED AND BEAR THE APPROPRIATE SEAL, SIGNATURE AND DATE OF ALTERATION.

THE
Chazen
 COMPANIES
 Engineers/Surveyors
 Planners
 Environmental Scientists

CHAZEN ENGINEERING & LAND SURVEYING CO., P.C.

Dutchess County Office:
 283 Route 172
 Newburgh, New York 12550
 Phone: (914) 454-3980

Orange County Office:
 1457 Route 9, Stop 1
 Newburgh, New York 12550
 Phone: (914) 567-1133

Capital District Office:
 1457 Route 9, Stop 1
 Clifton Park, New York 12065
 Phone: (518) 371-0929

rev.	date	description
6	9/7/04	REVISIONS PER TOWN COMMENTS DATED 8/12/04
5		
4	2/03/03	REVISIONS PER TOWN COMMENTS DATED 1-27-03 & 1-29-03
3	6/26/02	PRE CONSTRUCTION REVISIONS
2	11/01/01	REVISIONS PER TOWN COMMENTS DATED 9-12-01
1	8/01/01	REVISIONS PER TOWN COMMENTS DATED 7-19-01

PROPOSED AMENDMENT TO
 PLANNED COMMERCIAL DISTRICT NO. 6
**NEW SCOTLAND ROAD
 COMMERCIAL BUSINESS PARK**
 SANITARY SEWER DETAILS

TOWN OF BETHLEHEM, ALBANY COUNTY, NEW YORK

drawn	checked
JMB	JML
date	scale
7/8/04	AS NOTED
project no.	
30124.00	
sheet no.	
	SD2