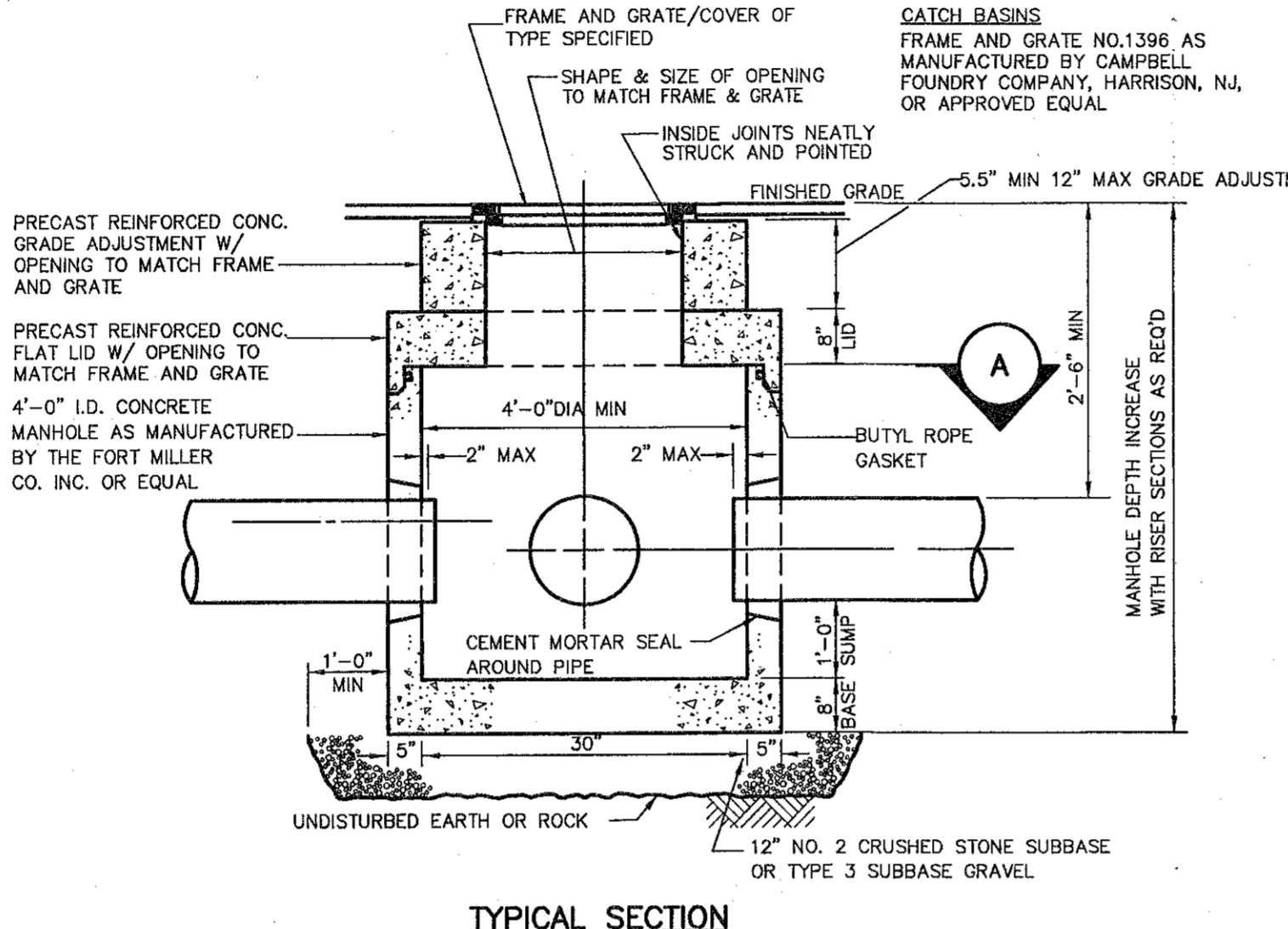
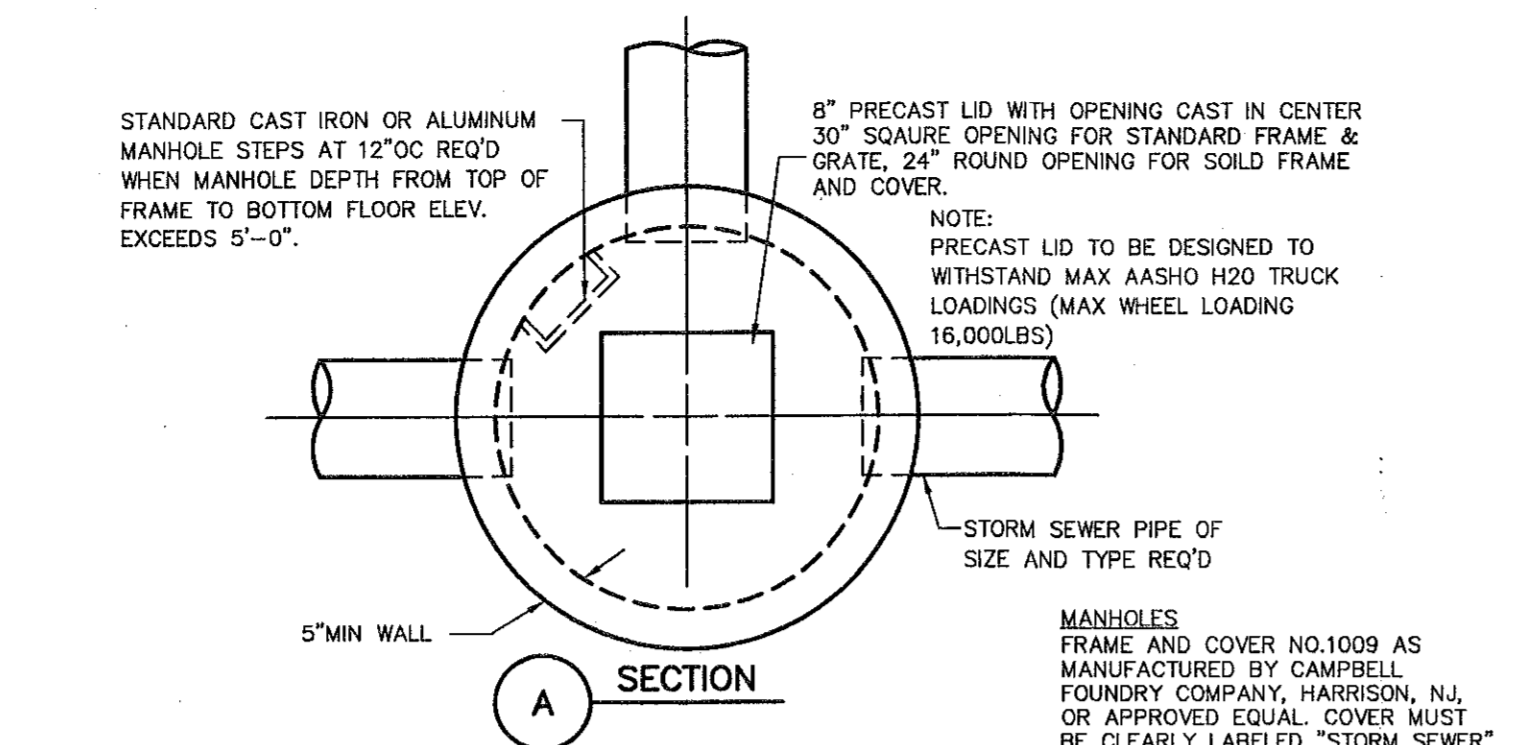


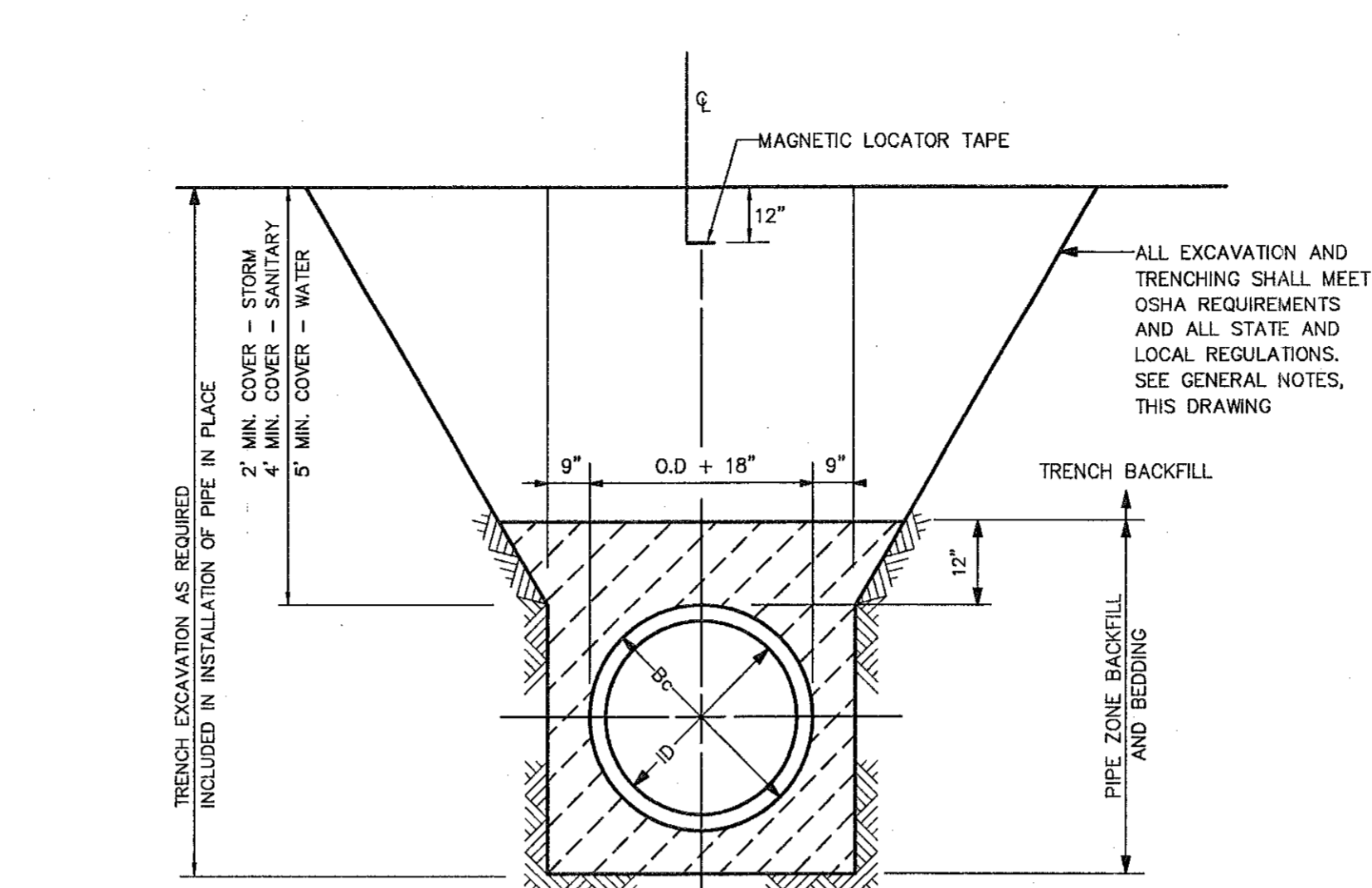
1 SD4 SCALE: NONE CROSS REFERENCE:

PRECAST CONCRETE SQR CATCH BASIN



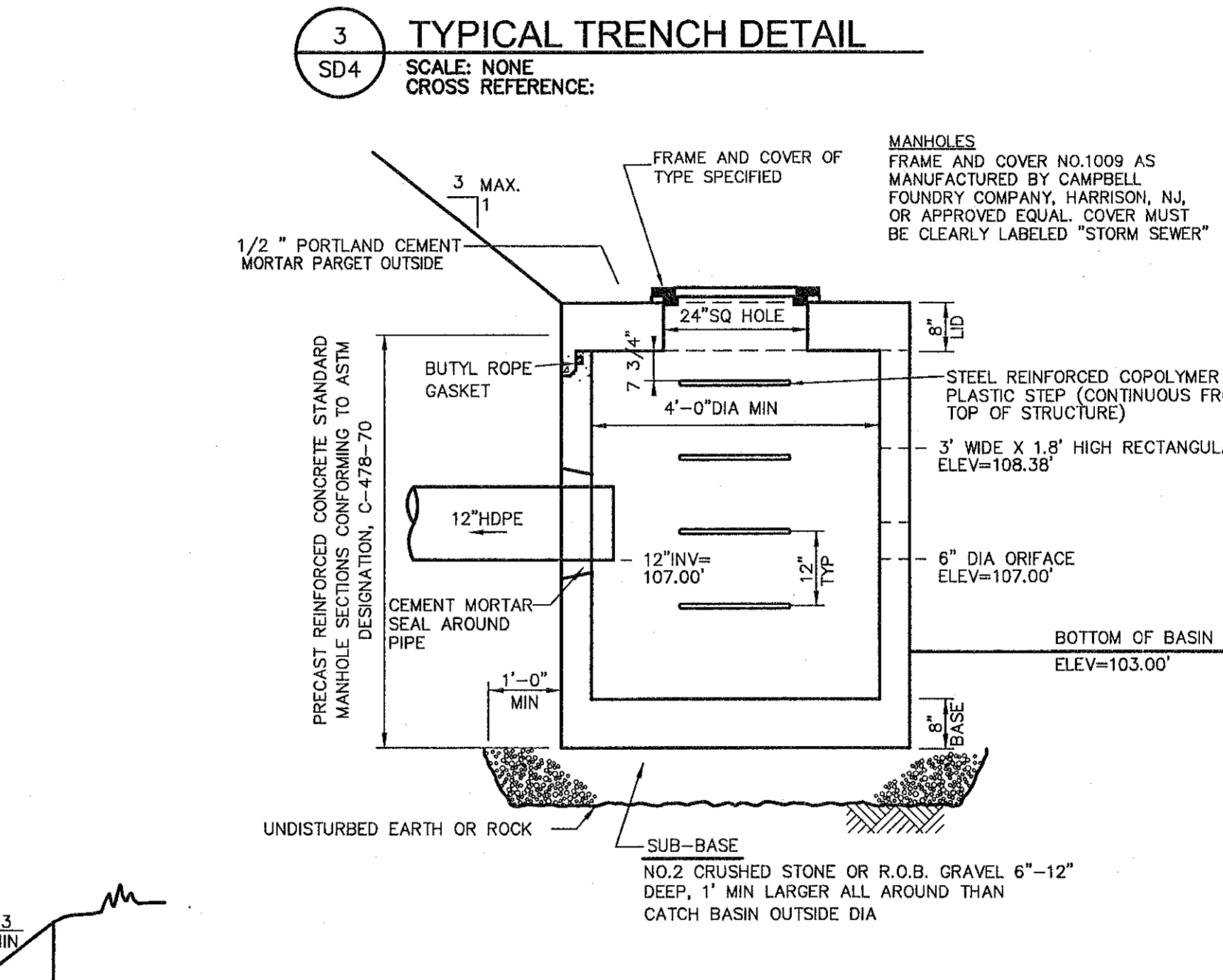
2 SD4 SCALE: NONE CROSS REFERENCE:

PRECAST CONCRETE STORM SEWER MANHOLE



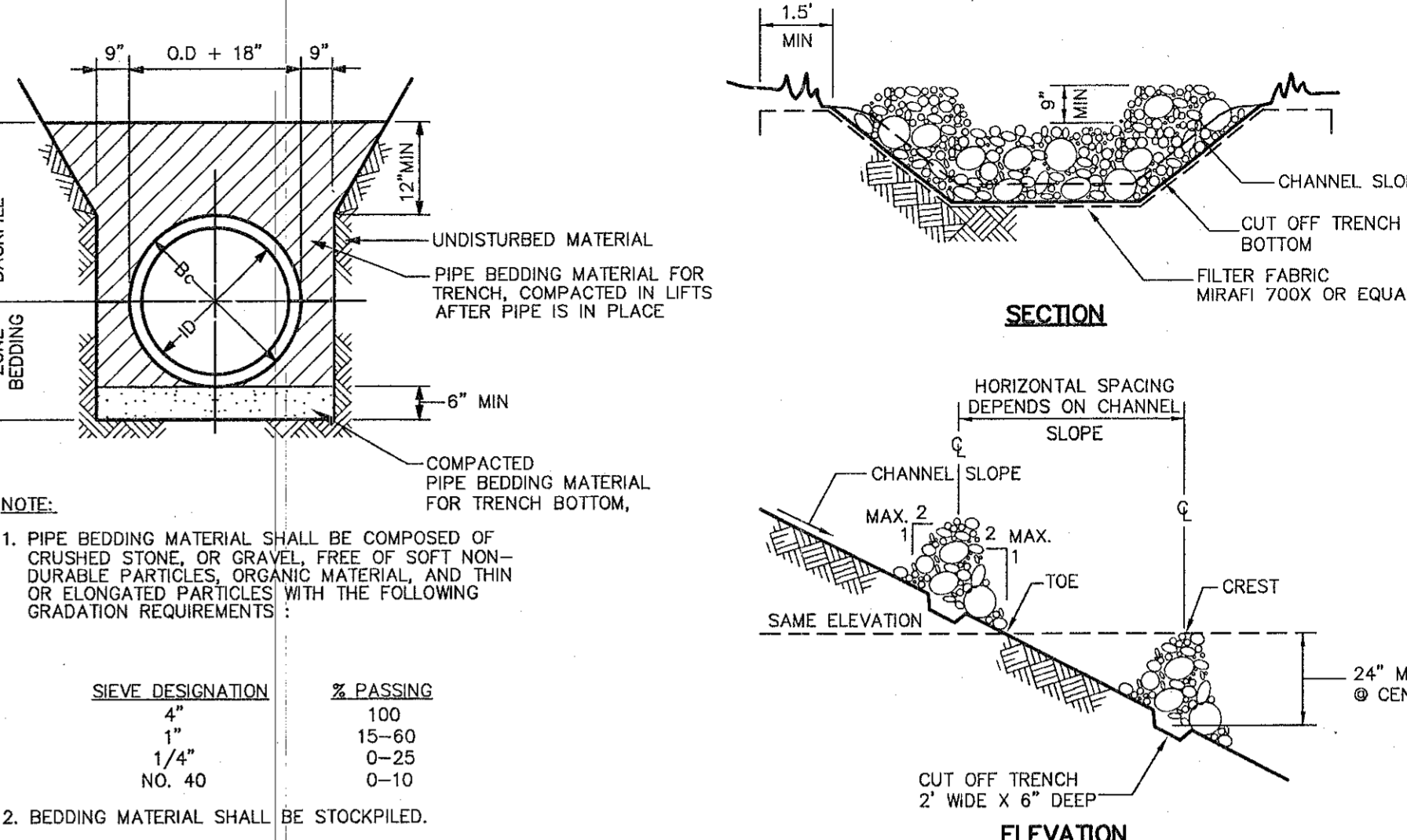
3 SD4 SCALE: NONE CROSS REFERENCE:

TYPICAL TRENCH DETAIL



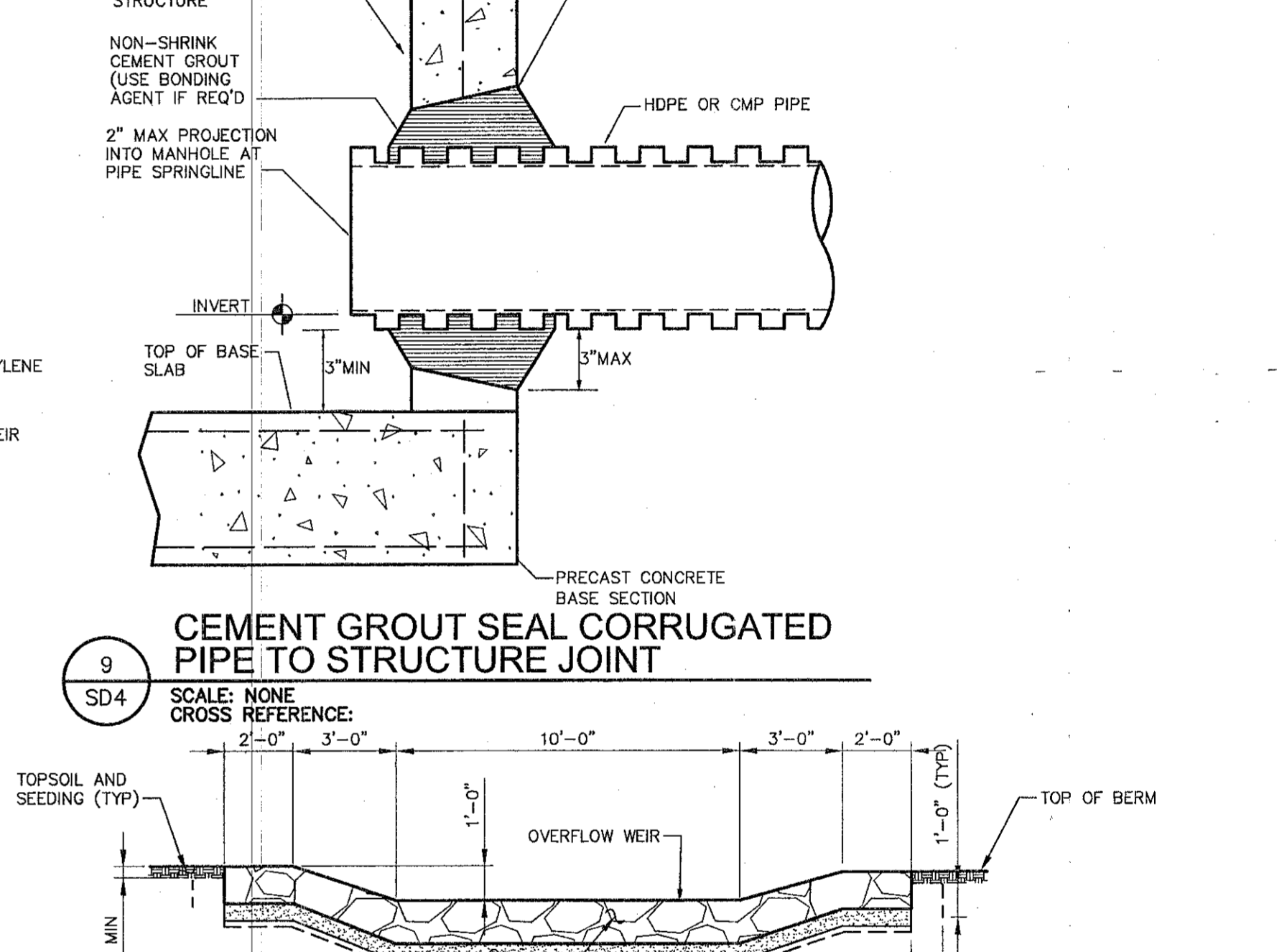
4 SD4 SCALE: NONE CROSS REFERENCE:

PRECAST REINFORCED CONCRETE STANDARD MANHOLE



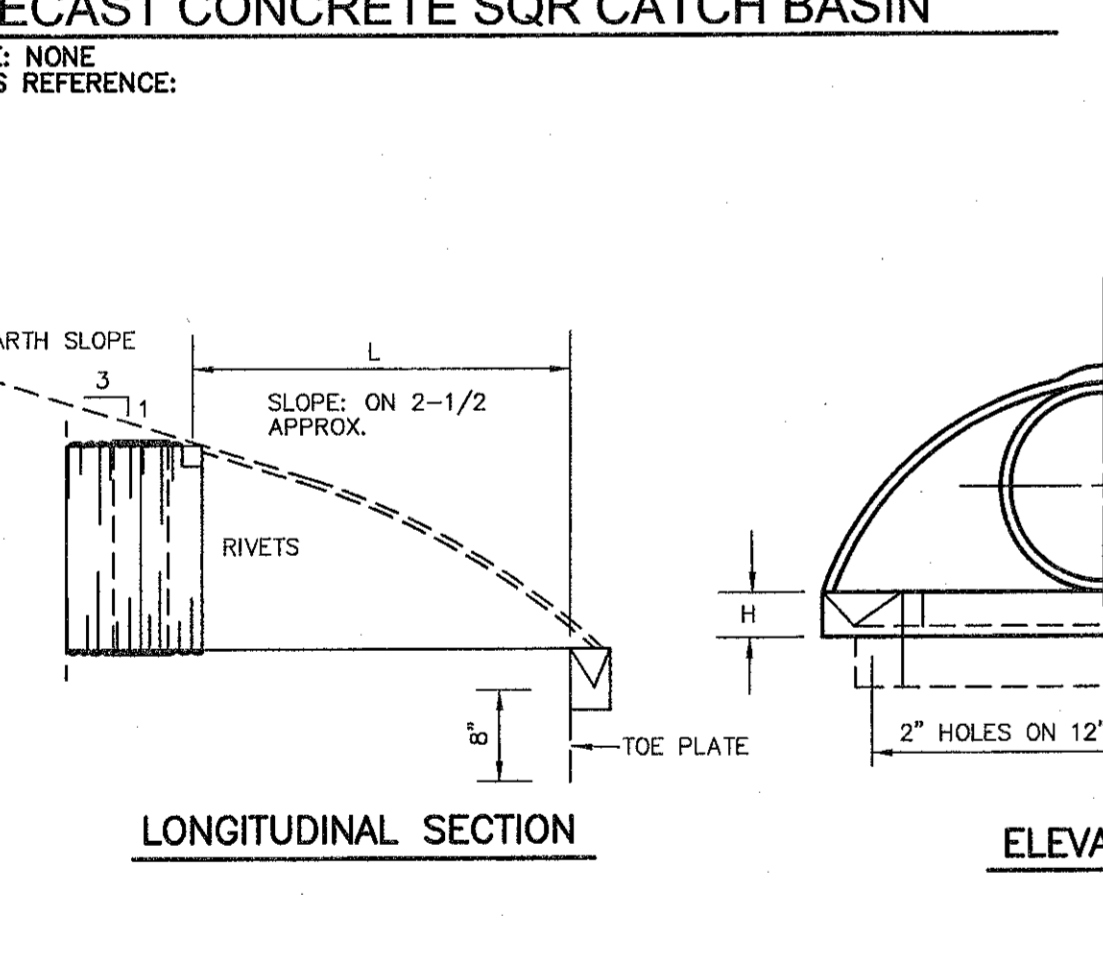
5 SD4 SCALE: NONE CROSS REFERENCE:

END SECTION WITH STONE LINED APRON



6 SD4 SCALE: NONE CROSS REFERENCE:

SECTION MICROPOL EXTENDED DETENTION POND



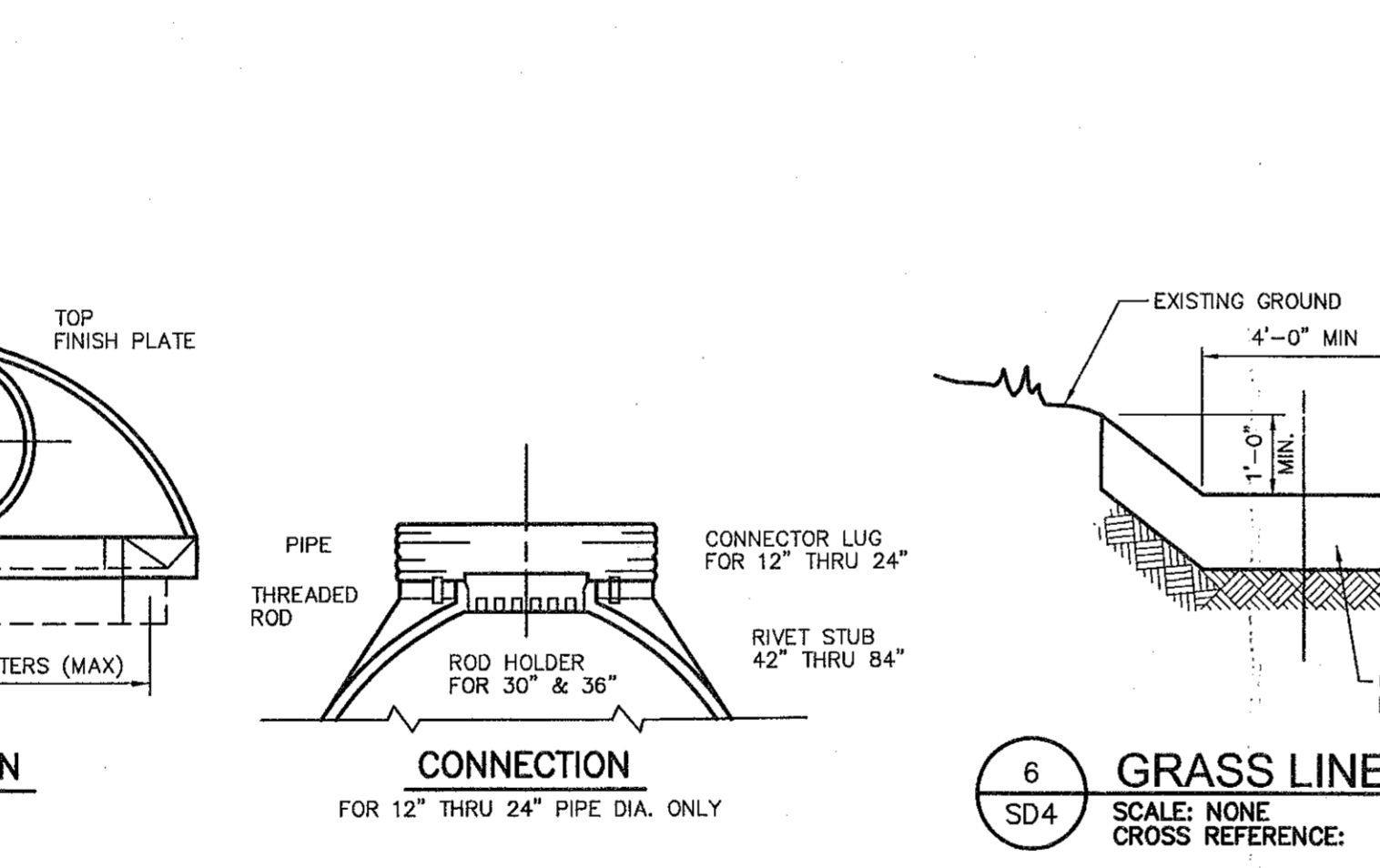
7 SD4 SCALE: NONE CROSS REFERENCE:

TYPICAL END SECTION CIRCULAR CORRUGATED HDPE PIPE

PIPE DIA.	GAGE	DIMENSION (WITH TOLERANCE)					
		A	B	H	I	W	TOL.
12"	16	4-3/4"	6"	6"	21"	24"	
15"	16	6"	8"	6"	26"	30"	
24"	14	9-1/2"	12"	6"	42"	48"	

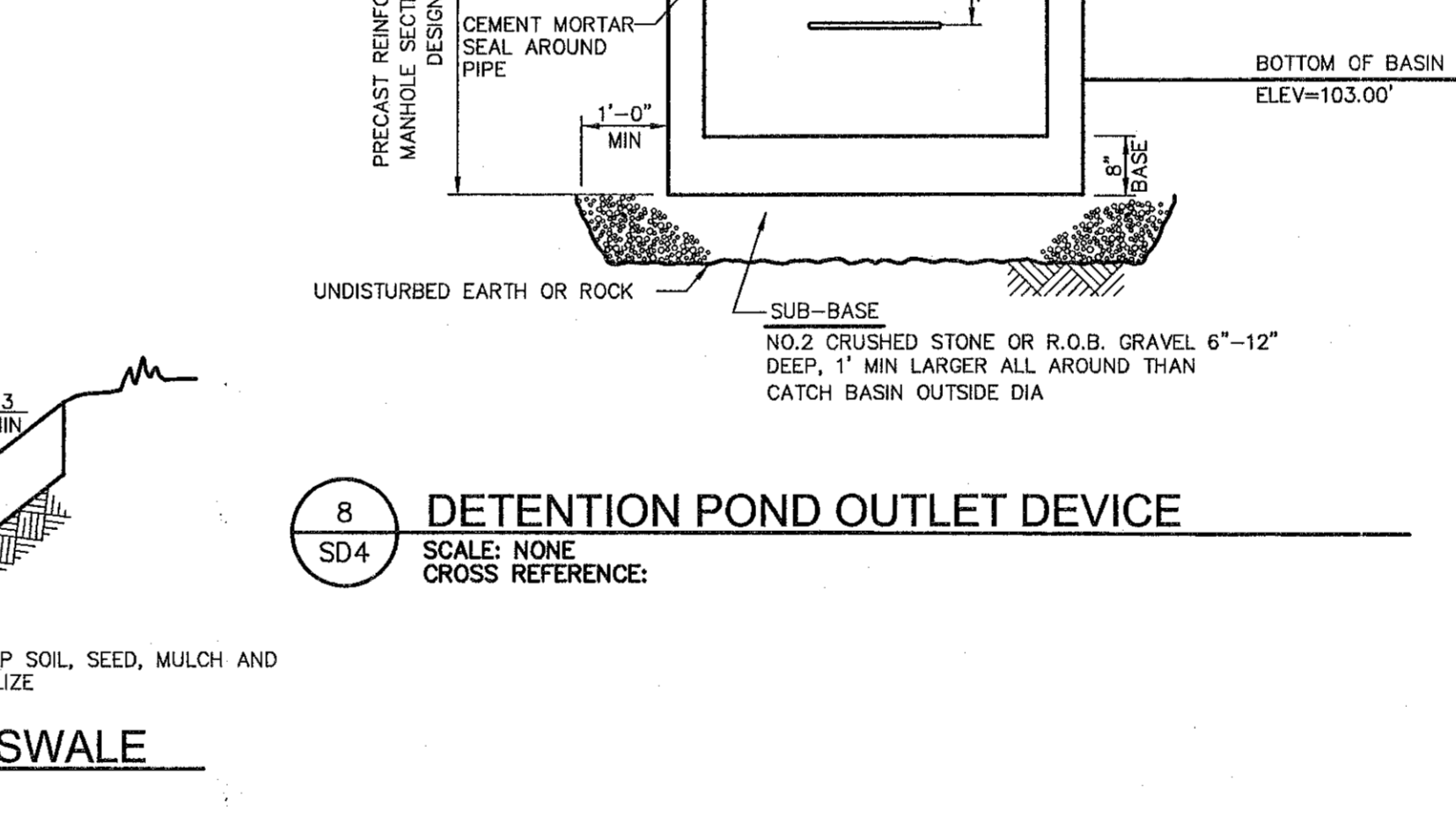
8 SD4 SCALE: NONE CROSS REFERENCE:

CEMENT GROUT SEAL CORRUGATED PIPE TO STRUCTURE JOINT



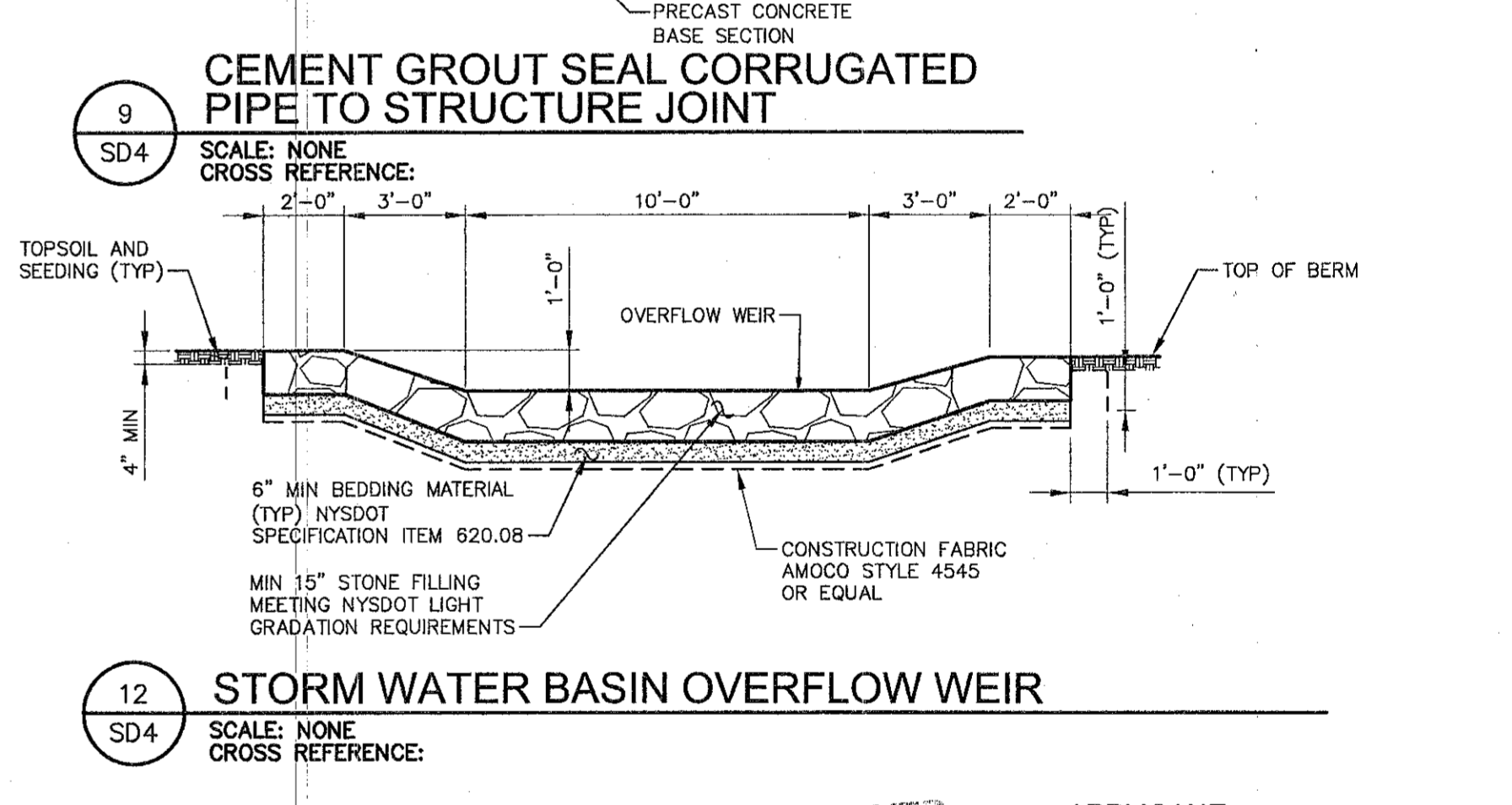
9 SD4 SCALE: NONE CROSS REFERENCE:

DETENTION POND OVERFLOW WEIR



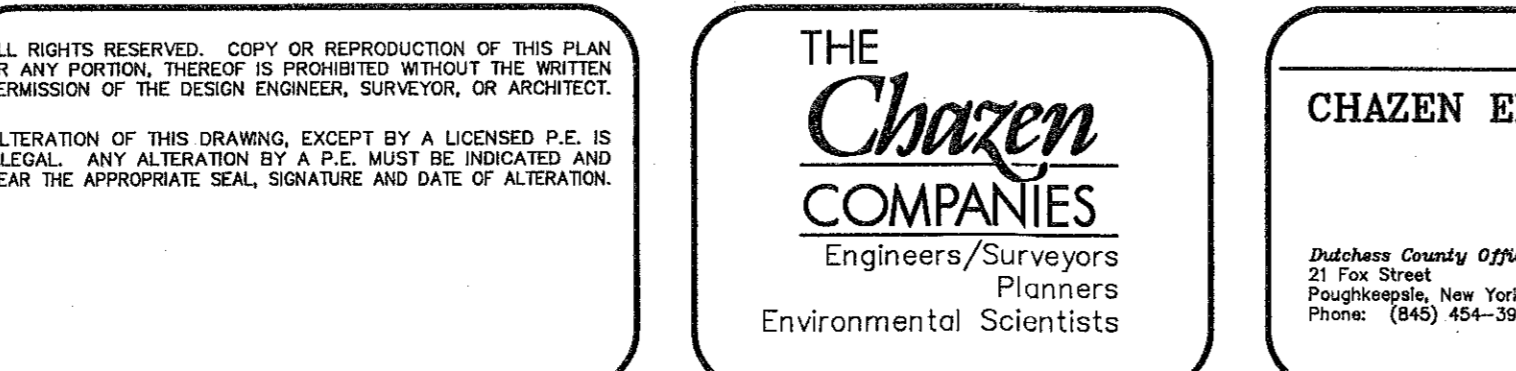
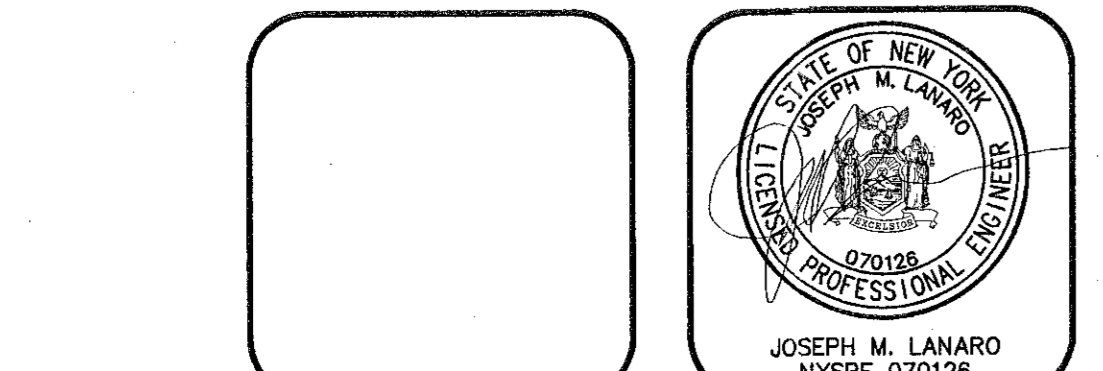
10 SD4 SCALE: NONE CROSS REFERENCE:

STORM WATER BASIN OVERFLOW WEIR



11 SD4 SCALE: NONE CROSS REFERENCE:

ROCK CHECK DAM DETAIL



12 SD4 SCALE: NONE CROSS REFERENCE:

CEMENT GROUT SEAL CORRUGATED PIPE TO STRUCTURE JOINT

REV.	DATE	DESCRIPTION
6	11/12/04	REVISIONS PER TOWN COMMENTS DATED 11/4/04
5	9/7/04	REVISIONS PER TOWN COMMENTS DATED 8/12/04
4	10/15/03	REVISIONS PER TOWN COMMENTS DATED 9-22-03
3	8/20/03	REVISIONS PER TOWN COMMENTS DATED 7-28-03
2	11/10/01	REVISIONS PER TOWN COMMENTS DATED 9-12-01
1	8/01/01	REVISIONS PER TOWN COMMENTS DATED 7-19-01

12 SD4 SCALE: NONE CROSS REFERENCE:

STORM WATER BASIN OVERFLOW WEIR

APPLICANT: FIRST COLUMBIA L.L.C.
26 Century Hill Drive
Latham, New York 12113
Tel: (518) 213-1000
Fax: (518) 213-1020

TOWN OF BETHLEHEM PLANNING BOARD APPROVAL

PLANNING BOARD
TOWN OF BETHLEHEM
ALBANY COUNTY, NEW YORK

This plat APPROVED subject to such conditions as are stated in Building Project Approval (B/P/A)

No. 31 dated 11-10-04
Approved by: *Joseph J. Mathew*
Title: CHAIRMAN
Date: MAR 30 2006

PROPOSED AMENDMENT TO PLANNED COMMERCIAL DISTRICT NO. 6
NEW SCOTLAND ROAD COMMERCIAL BUSINESS PARK
DRAINAGE AND EROSION CONTROL DETAILS
TOWN OF BETHLEHEM, ALBANY COUNTY, NEW YORK

drawn JMB checked JML
date 7/8/04 scale AS NOTED
project no. 30124.00
sheet no. SD4