

ERDMAN ANTHONY

11 CENTURY HILL DRIVE, SUITE 105
Latham, NY 12110
Telephone (518)783-1205
Facsimile (518)783-0374
www.erdmananthony.com



DATE _____ DATE _____

NOTE: UNAUTHORIZED ALTERATION OR ADDITION TO THIS DRAWING IS A VIOLATION OF THE NEW YORK STATE EDUCATION LAW ARTICLE 145, SECTION 7209.

REVISIONS			
NO.	DESCRIPTION	BY	DATE

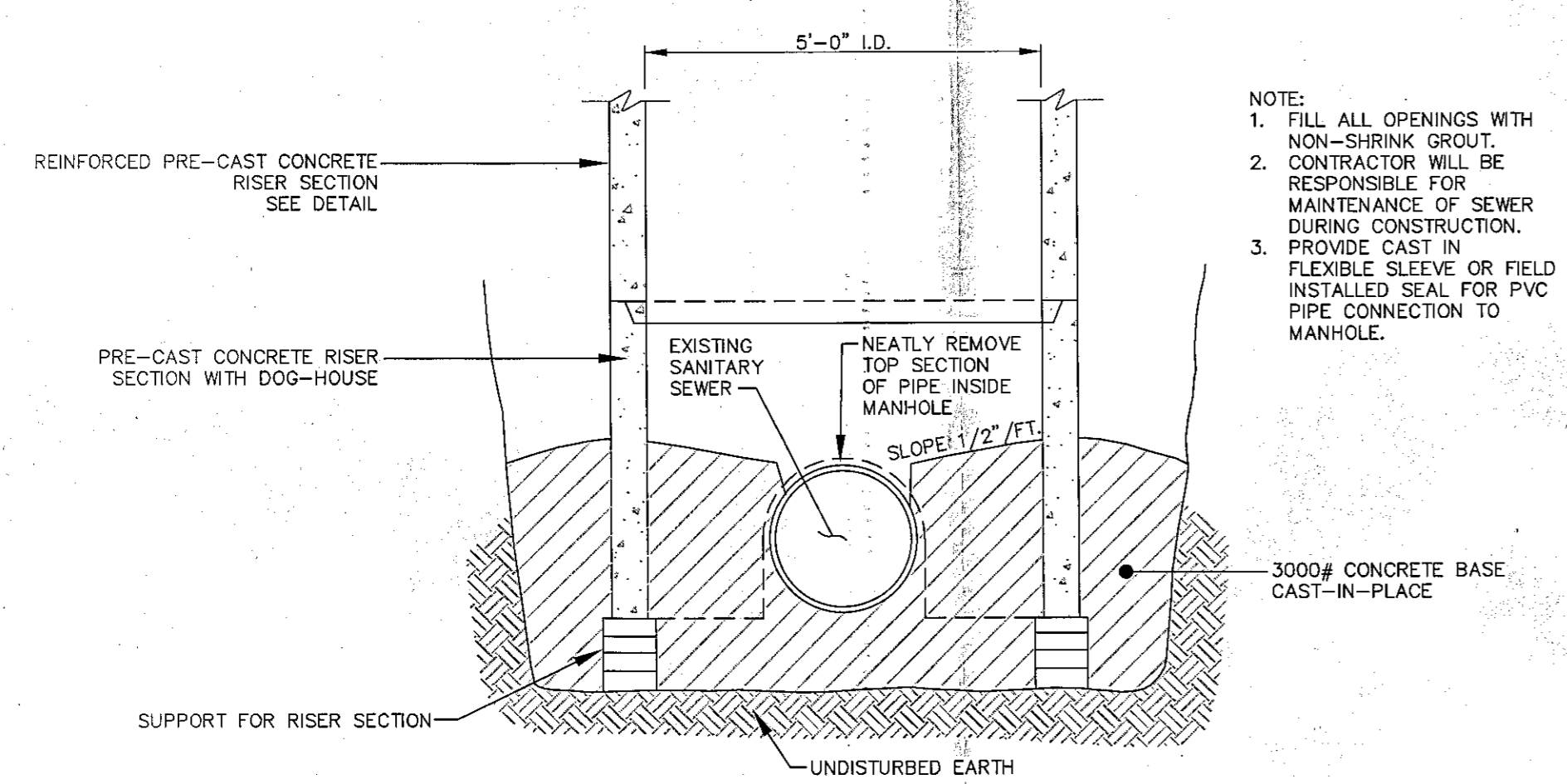
ALL RIGHTS RESERVED: No part of this document may be reproduced, stored in a retrieval system, or transmitted, in any form or by any means electronic, mechanical, photocopying, recording, or otherwise without the prior written authorization of ERDMAN ANTHONY.
COPYRIGHT © 2013 Erdman Anthony

CLIENT:
BENDERSON DEVELOPMENT COMPANY, LLC

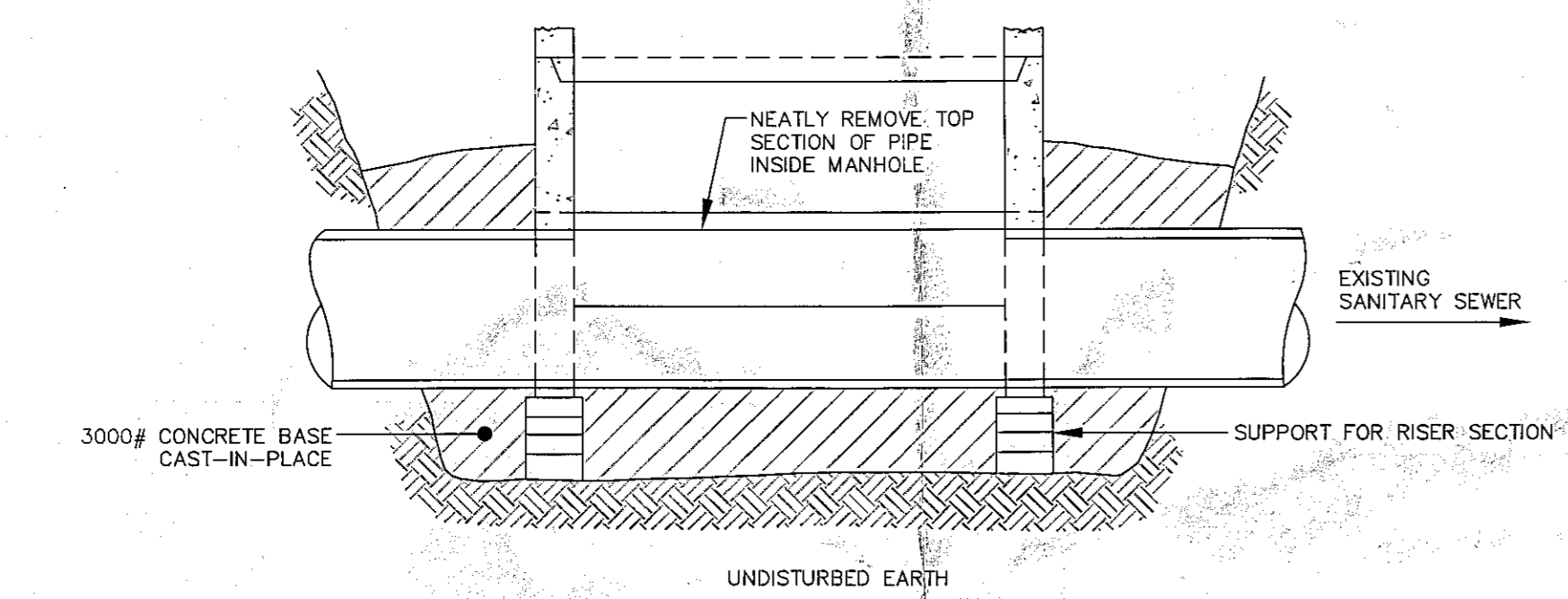
PROJECT NAME:
GLENMONT PLAZA – 380 FEURA BUSH ROAD PROPOSED PAD SITE

DRAWING TITLE:
SANITARY SEWER DETAILS

SCALE: N.T.S.	DATE: FEB. 2013
DES. BY: RLD	DR. BY: MFJ
CK'D BY: RLD	EA PROJECT NO. 1700C.55
SHEET NO. 12 OF 13	DRAWING NO. C6.3



- NOTE:
1. FILL ALL OPENINGS WITH NON-SHRINK GROUT. CONTRACTOR WILL BE RESPONSIBLE FOR MAINTENANCE OF SEWER DURING CONSTRUCTION.
 2. PROVIDE CAST IN FLEXIBLE SLEEVE OR FIELD INSTALLED SEAL FOR PVC PIPE CONNECTION TO MANHOLE.



MANHOLE CONNECTION AT EXISTING SANITARY SEWER
SCALE: NONE

TOWN OF BETHLEHEM, NEW YORK
PLANNING DEPT. ORIGINAL
- SCANNED -

Town of Bethlehem Planning Board
By direction of the Chairman
these plans are hereby Approved.
See first sheet for date & signature.

PLANNING BOARD APPROVAL