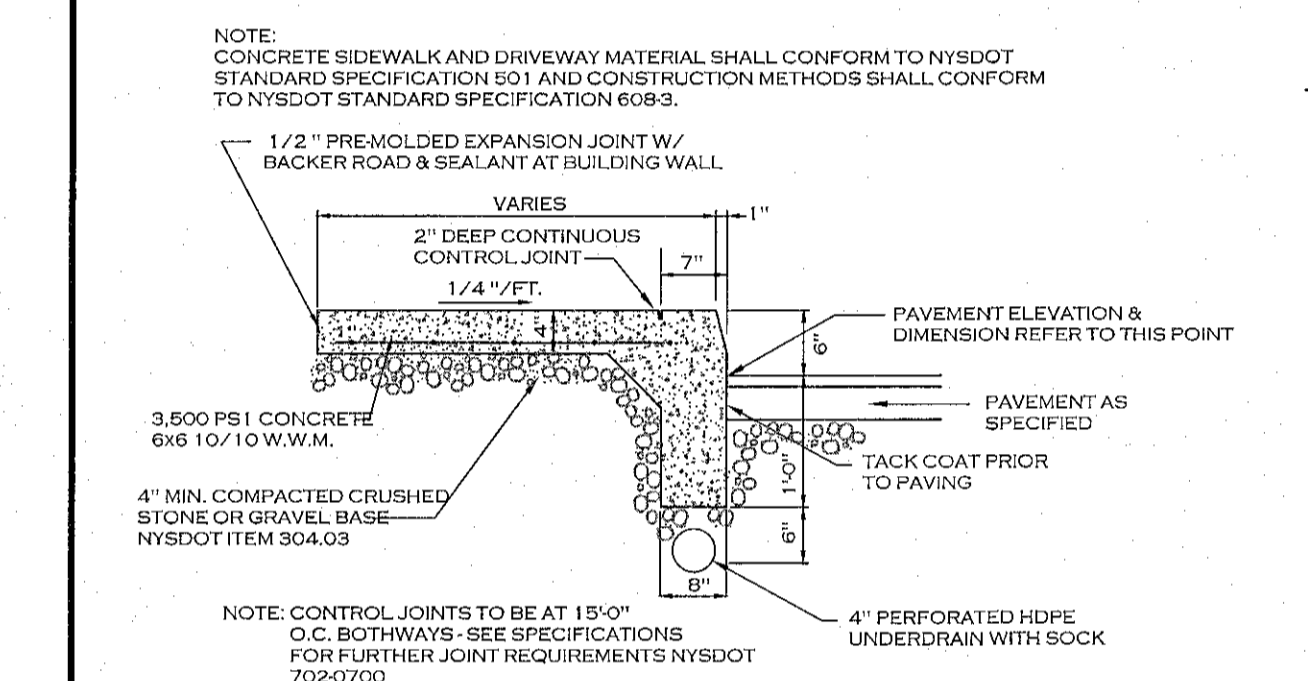
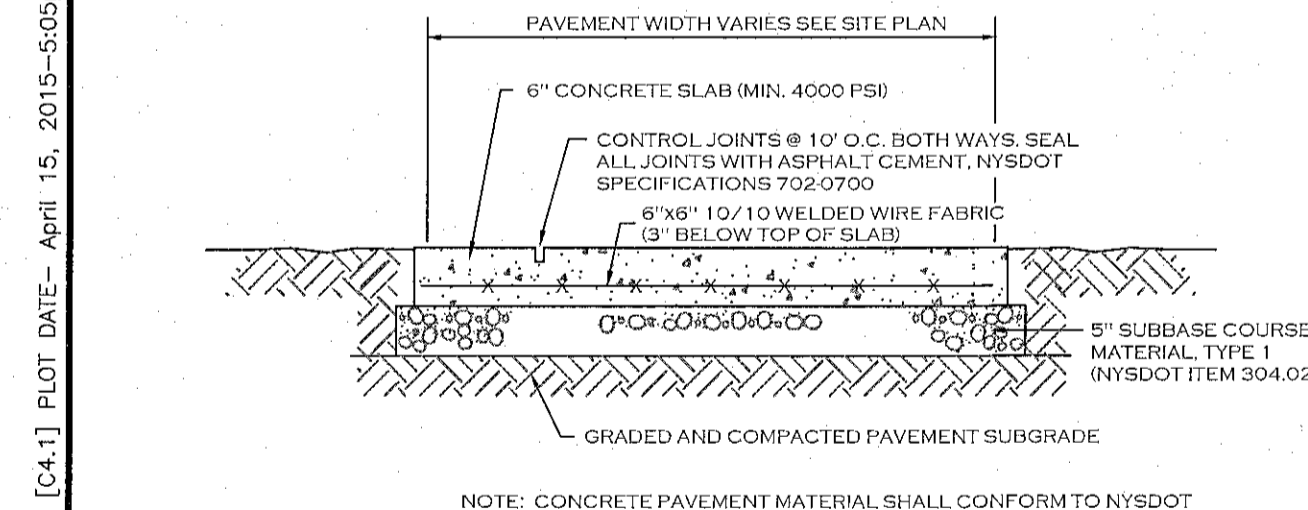


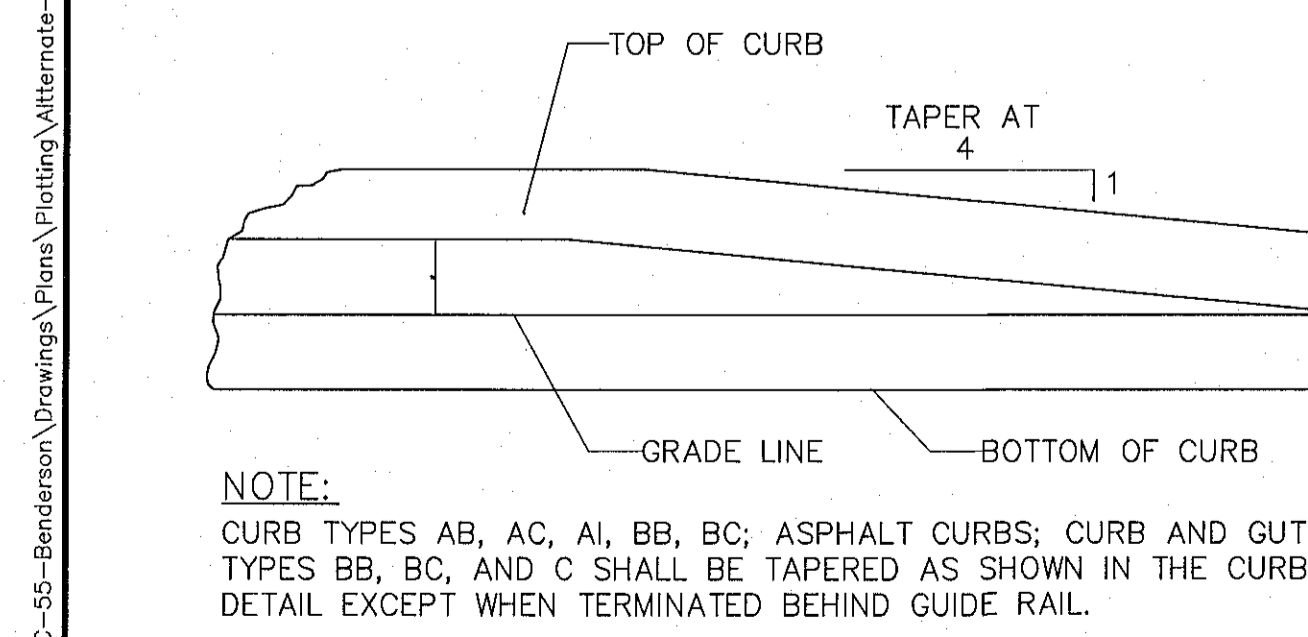
TYPICAL PRECAST CATCH BASIN



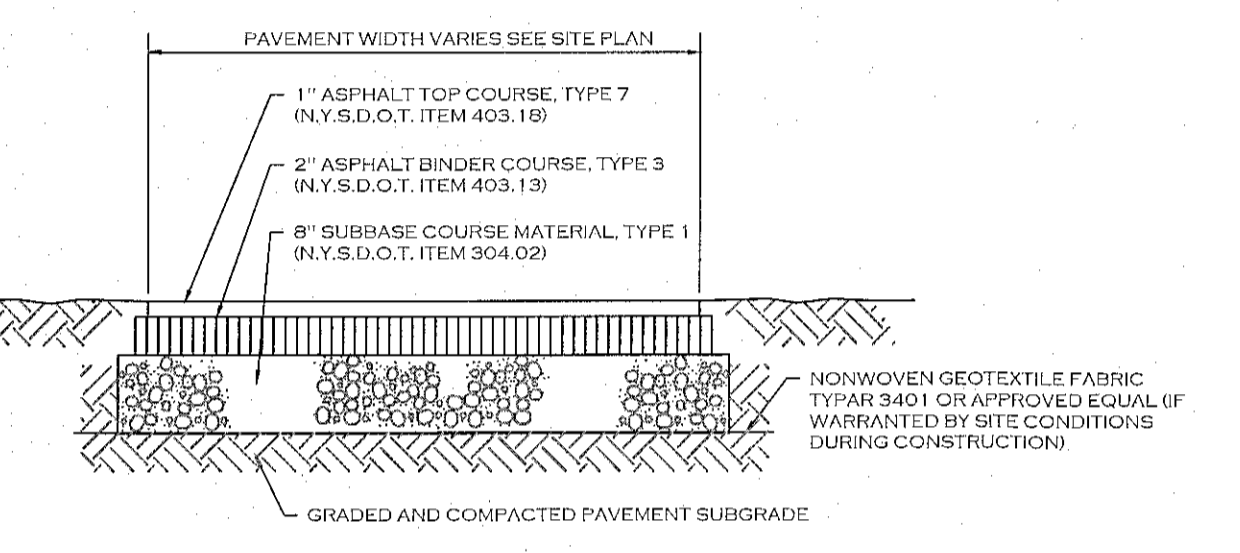
INTEGRAL CURB/SIDEWALK DETAIL



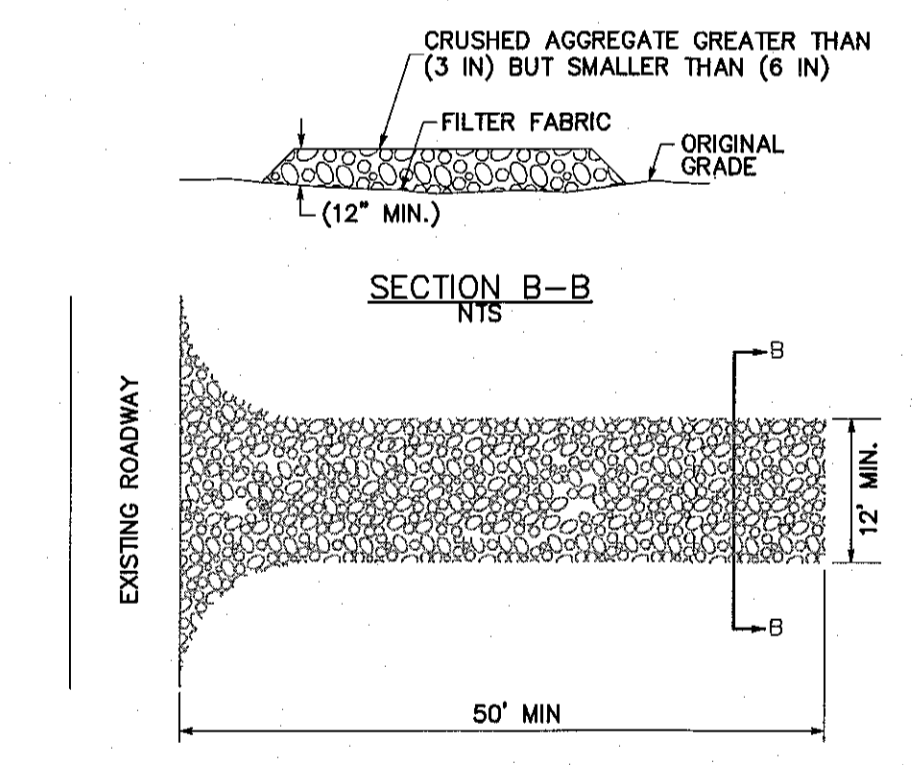
EXTERIOR CONCRETE SLAB-ON-GRADE SECTION



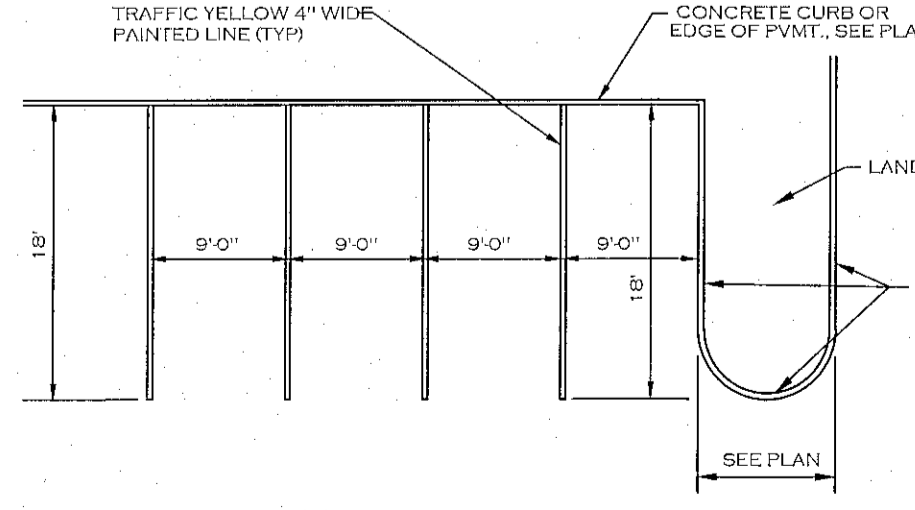
CURB TERMINAL DETAIL



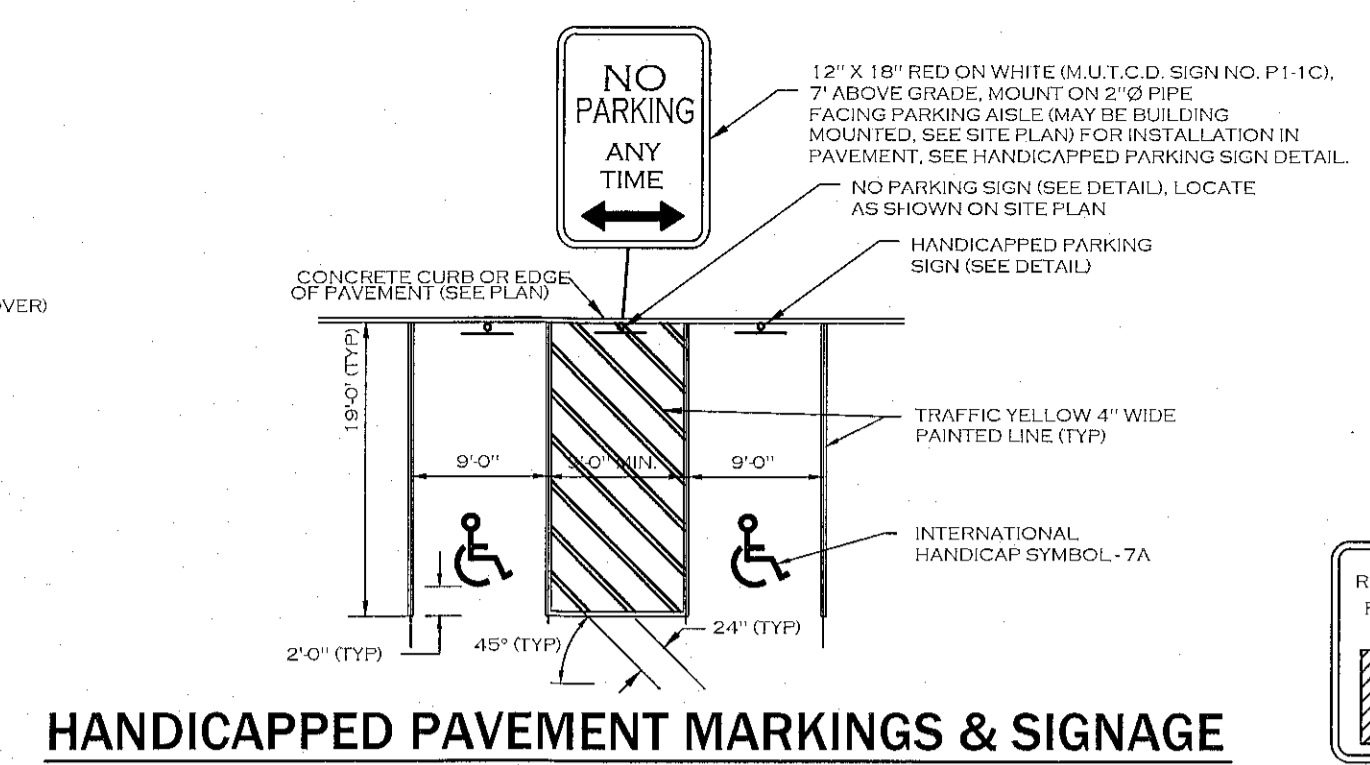
STANDARD ASPHALT SECTION



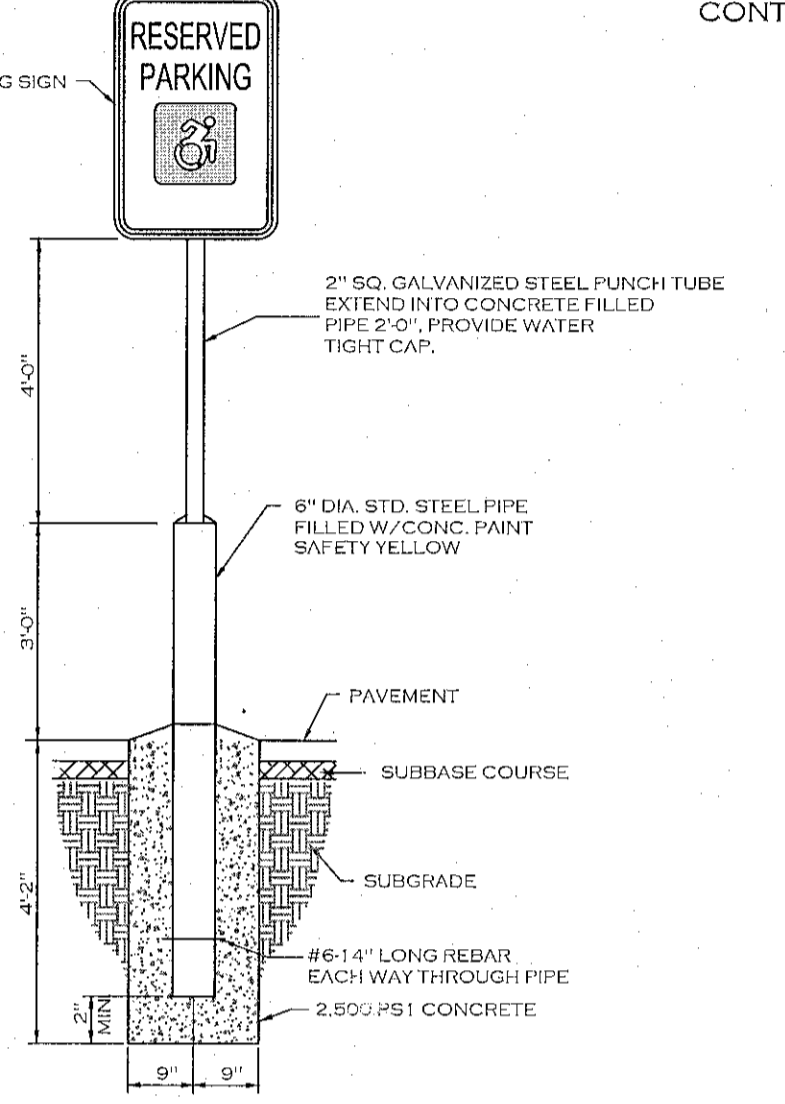
STABILIZED CONSTRUCTION ENTRANCE DETAIL



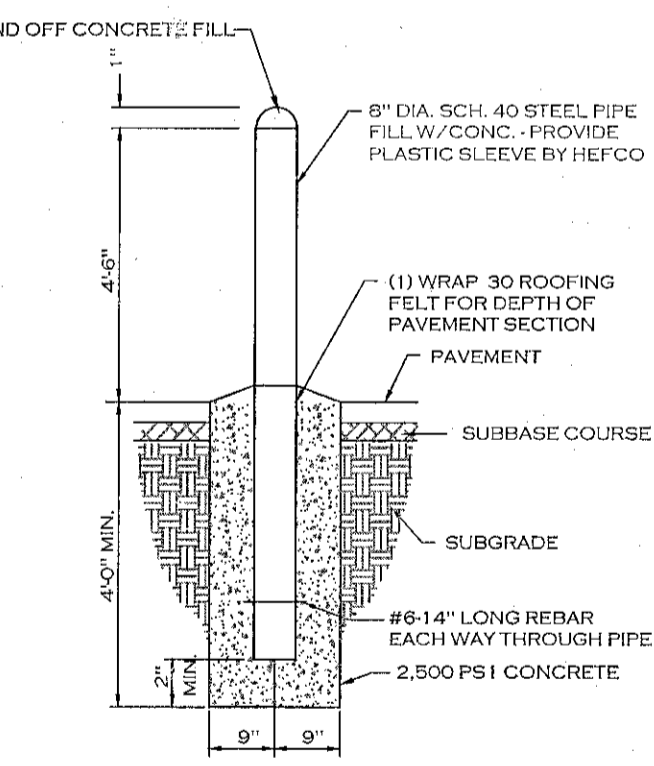
90° PARKING STALL LAYOUT



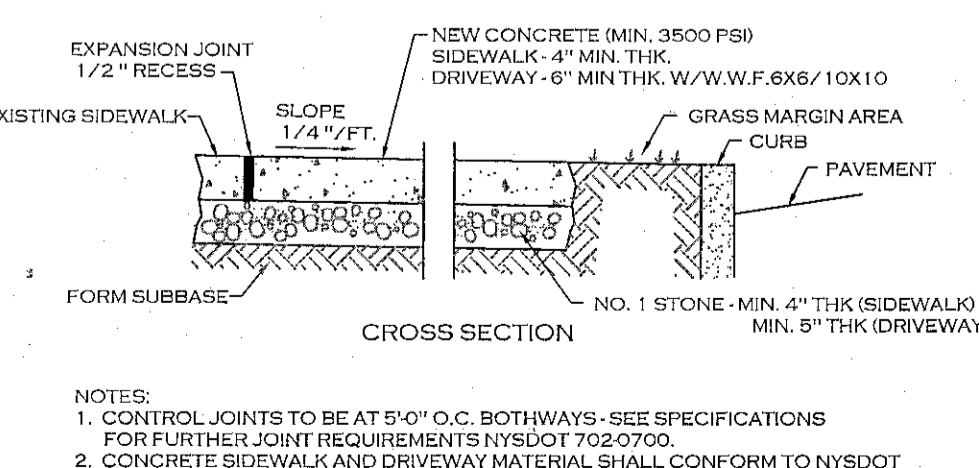
HANDICAPPED PAVEMENT MARKINGS & SIGNAGE



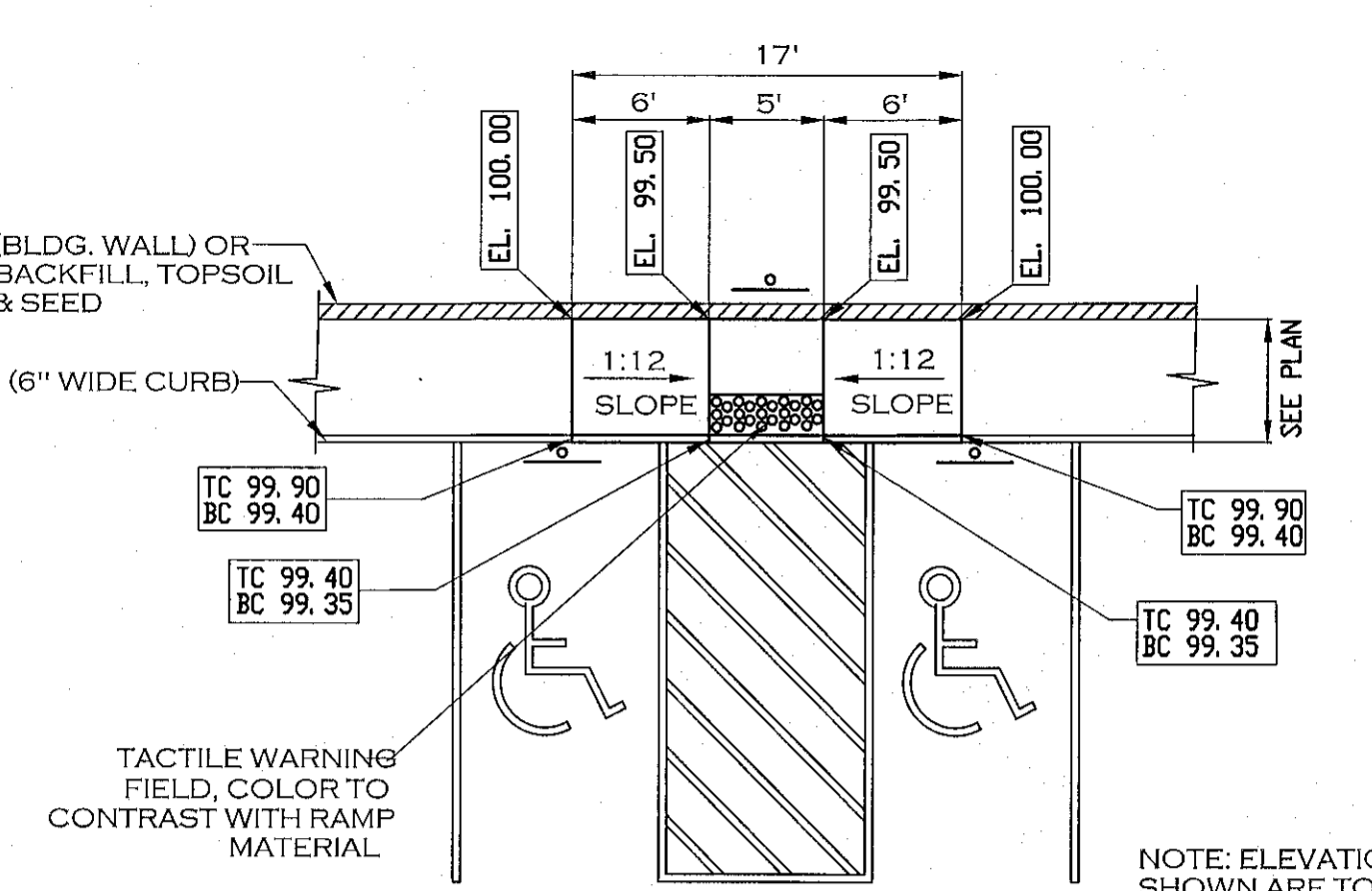
HANDICAPPED PARKING SIGN



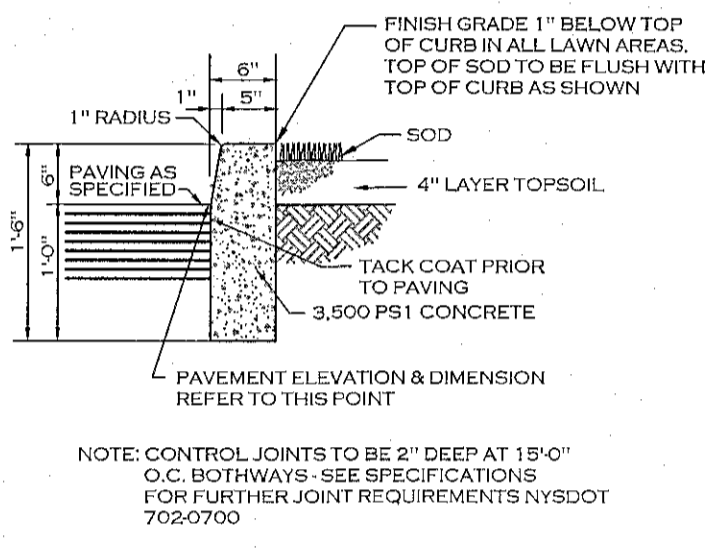
PIPE BOLLARD



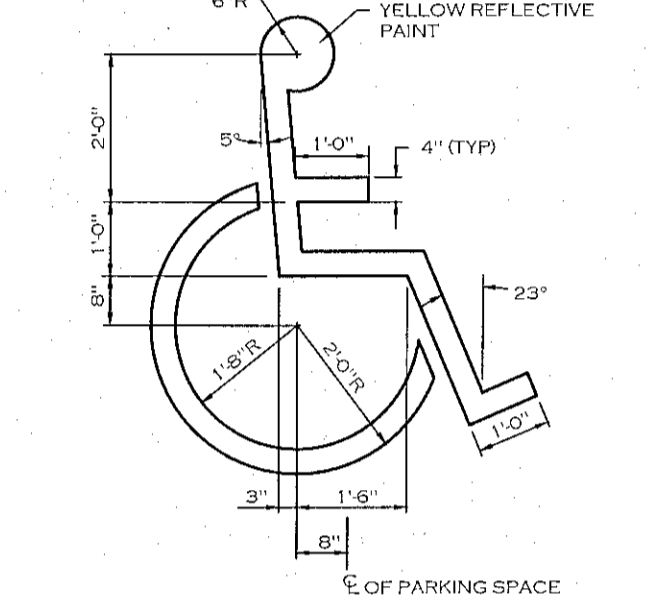
CONCRETE SIDEWALK



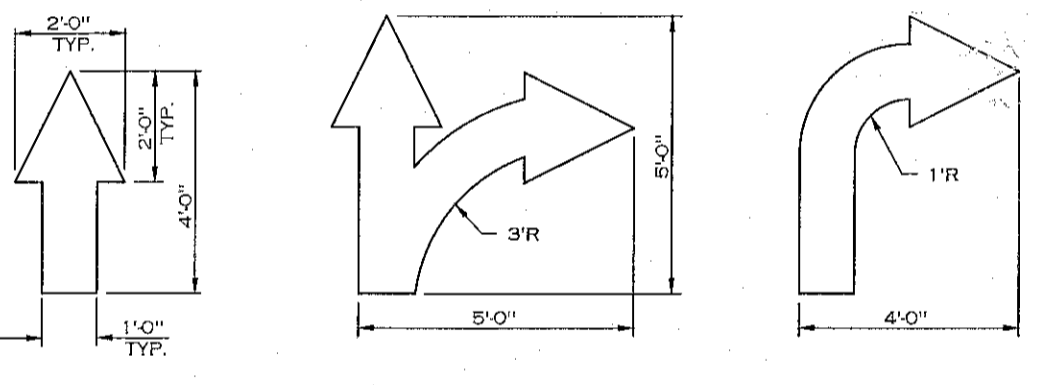
HANDICAPPED PAVEMENT RAMP



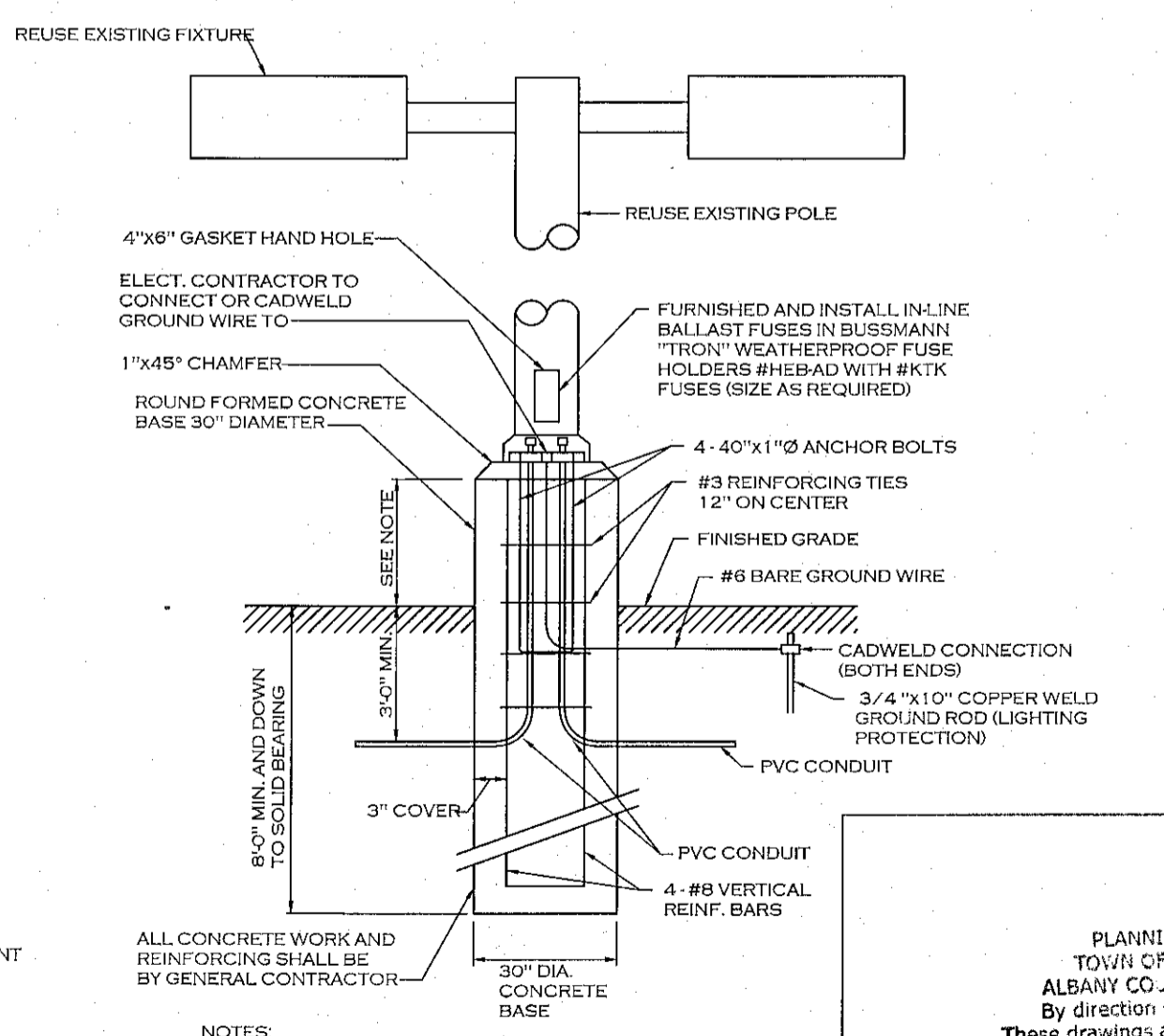
CONCRETE CURB



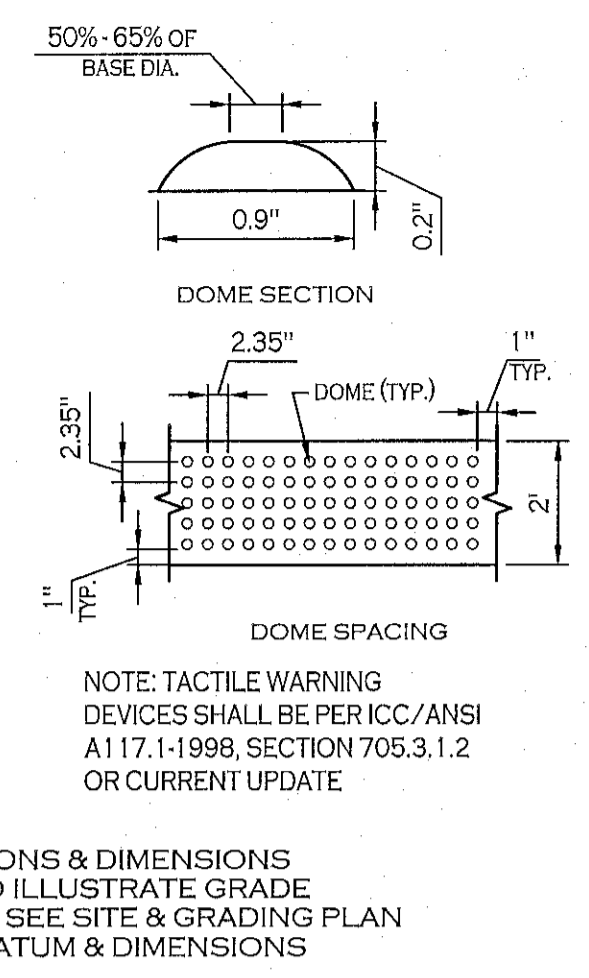
INTERNATIONAL HANDICAP SYMBOL



PAINTED TRAFFIC ARROWS



LIGHT POLE FOUNDATION



NOTE: ELEVATIONS & DIMENSIONS SHOWN ARE TO ILLUSTRATE GRADE CHANGE ONLY, SEE SITE & GRADING PLAN FOR ACTUAL DATUM & DIMENSIONS

ERDMAN ANTHONY

11 CENTURY HILL DRIVE, SUITE 105
 Latham, NY 12110
 Telephone (518) 783-1205
 Facsimile (518) 783-0374
 www.erdmananthony.com



DATE _____ DATE _____

NOTE: UNAUTHORIZED ALTERATION OR ADDITION TO THIS DRAWING IS A VIOLATION OF THE NEW YORK STATE EDUCATION LAW ARTICLE 145, SECTION 7209.

REVISIONS			
NO.	DESCRIPTION	BY	DATE
1	REVISED DETAIL	RLD	3/12/13
2	REVISED DETAIL	RLD	4/13/15

ALL RIGHTS RESERVED: No part of this document may be reproduced, stored in a retrieval system, or transmitted, in any form or by any means electronic, mechanical, photocopying, recording, or otherwise without the prior written authorization of ERDMAN ANTHONY.

COPYRIGHT © 2015 Erdman Anthony

CLIENT:
BENDERSON DEVELOPMENT COMPANY, LLC

PROJECT NAME:
GLENMONT PLAZA - 380 FEURA BUSH ROAD PROPOSED PAD SITE

DRAWING TITLE:
SITE DETAILS

PLANNING BOARD
 TOWN OF BETHLEHEM
 ALBANY CO. JNTY, NEW YORK
 By direction of the Chairman
 These drawings are hereby approved.
 See sheet(s) C4
 for date and signature.

TOWN OF BETHLEHEM, NEW YORK
 - SCANNED -

PLANNING BOARD APPROVAL

SCALE: NTS	DATE: FEB. 2013
DES. BY: RLD	DR. BY: MFJ
CK'D BY: RLD	EA PROJECT NO. 1700C.55
SHEET NO. 6 OF 13	DRAWING NO. C4.1

FILENAME: N:\1700C-55-Benderson Drawings\Plans\Plotting\Alternates\3\004-1-Alt-B.dwg [C4-1] PLOT DATE: April 15, 2015 5:05pm