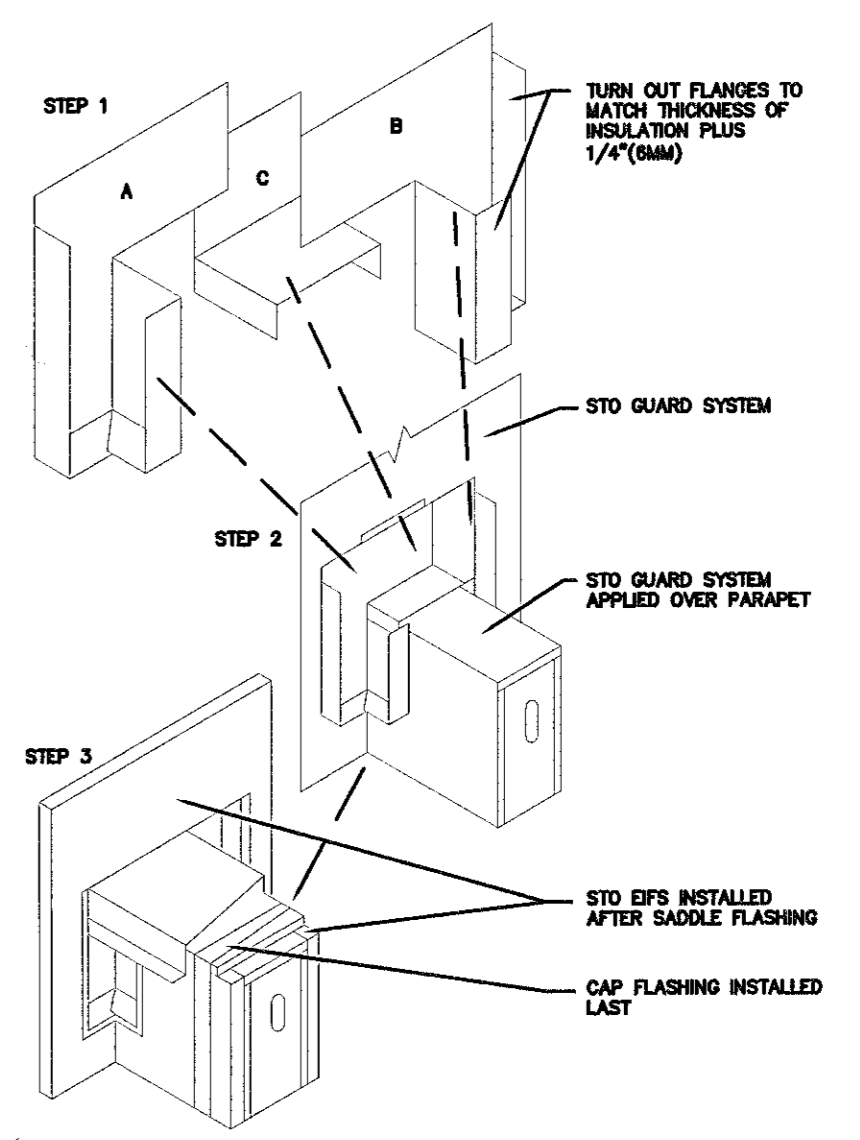
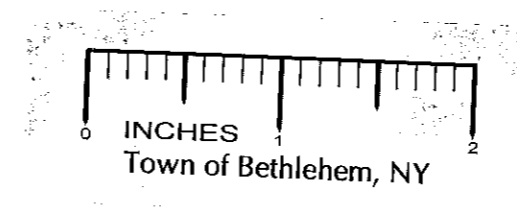
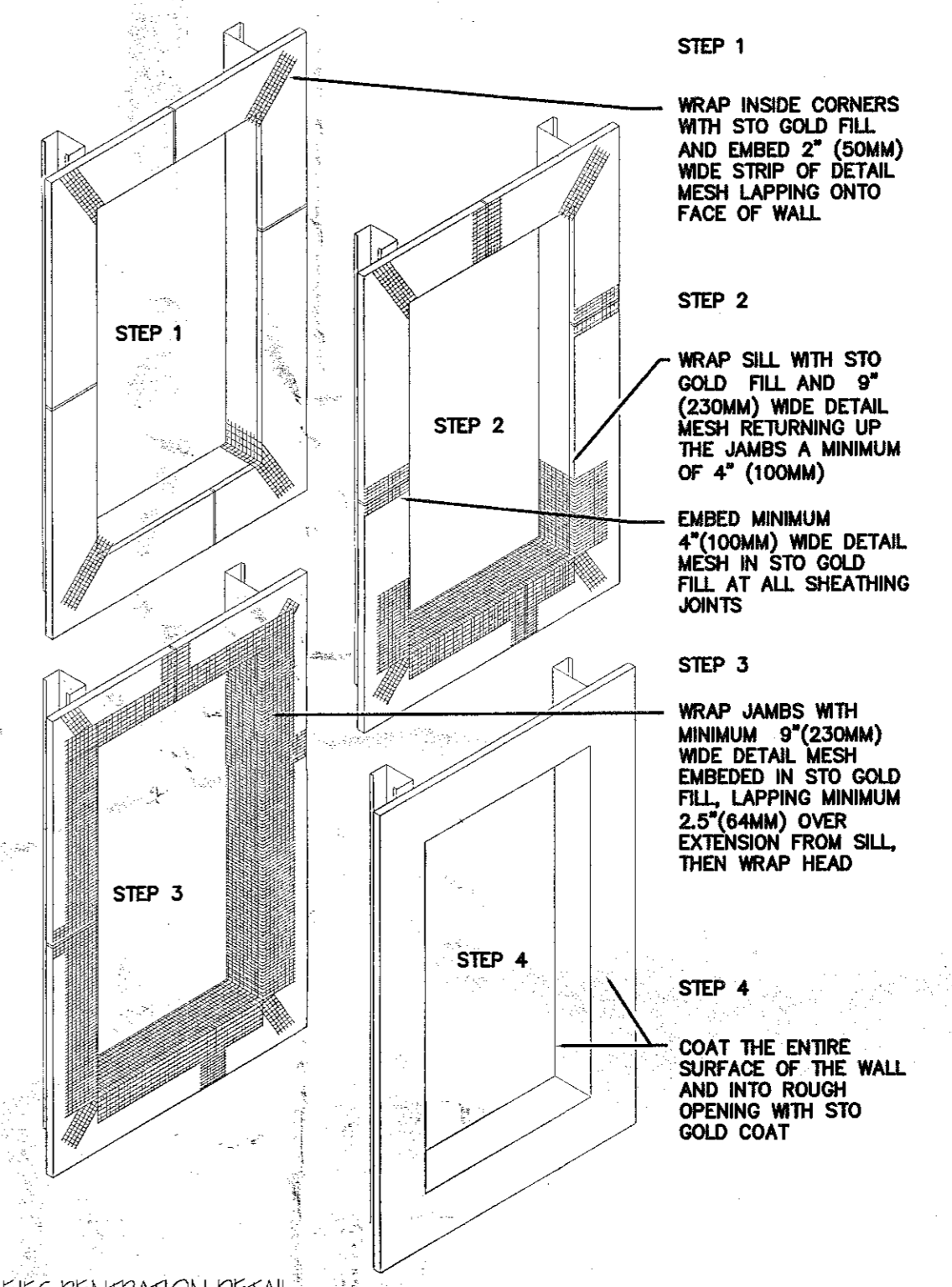


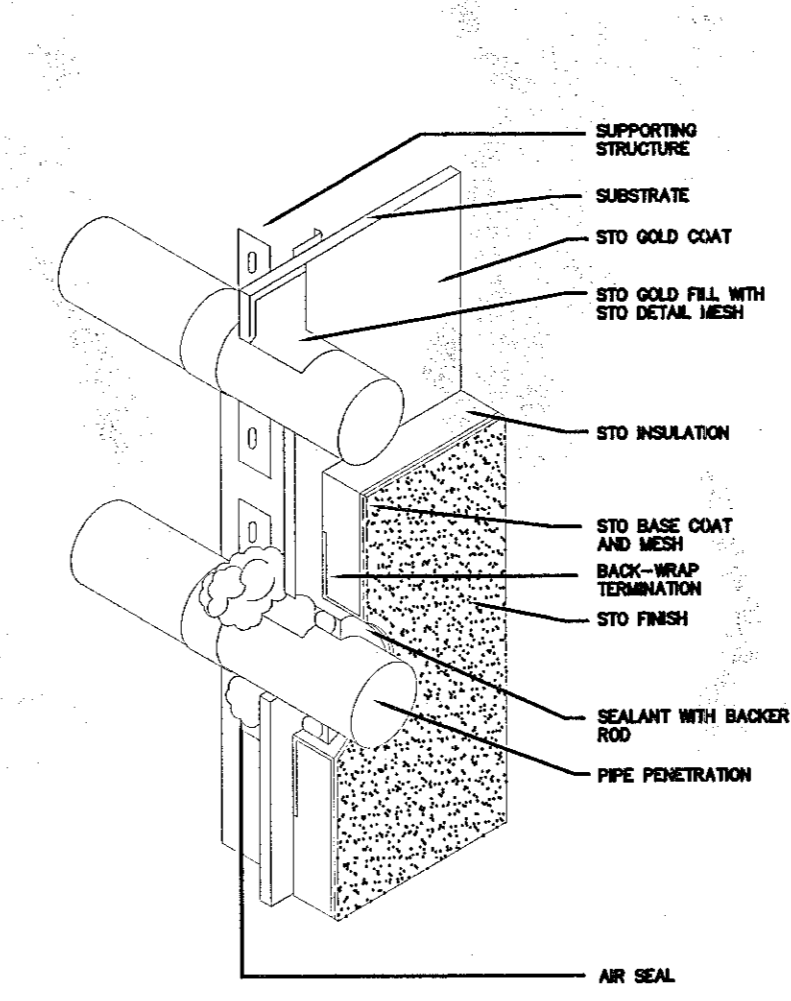
1 FACADE ELEVATION
 1/2"=1'-0"



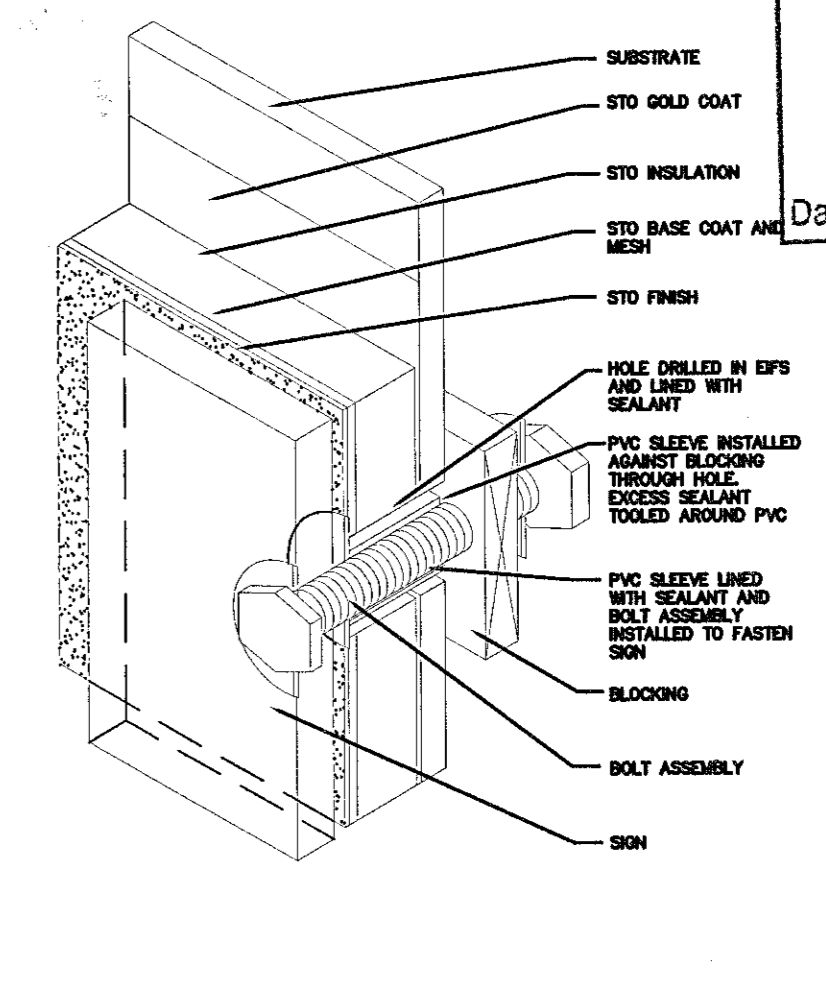
2 EIFS PENETRATION DETAIL
 N.T.S.



3 EIFS PENETRATION DETAIL
 N.T.S.

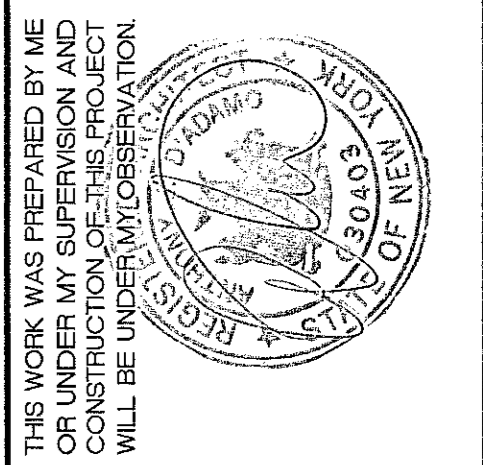


5 EIFS CONDUIT DETAIL
 N.T.S.



4 EIFS BLOCKING DETAIL
 N.T.S.

CAPITAL ARCHITECTURE
 2360 WESTERN AVENUE
 GUILDERLAND, NEW YORK 12084
 867-4247 OFFICE, 861 7040 FAX, 253 1442 CELL
 capitalarchitecture@yahoo.com



GLENMONT FACADE
 329 GLENMONT ROAD
 GLENMONT, NY
 ENLARGED ELEVATIONS AND DETAILS

PLANNING BOARD
 TOWN OF BETHLEHEM
 ALBANY COUNTY, NEW YORK
 This Site Plan Approved ...
George J. ...
 Title Chairman
 Date October 5, 2010

SCALE:	AS NOTED	REVISIONS:
DATE:	1-JUNE-10	△
DRAWN:	AJD	△
SHEET#		△

A3