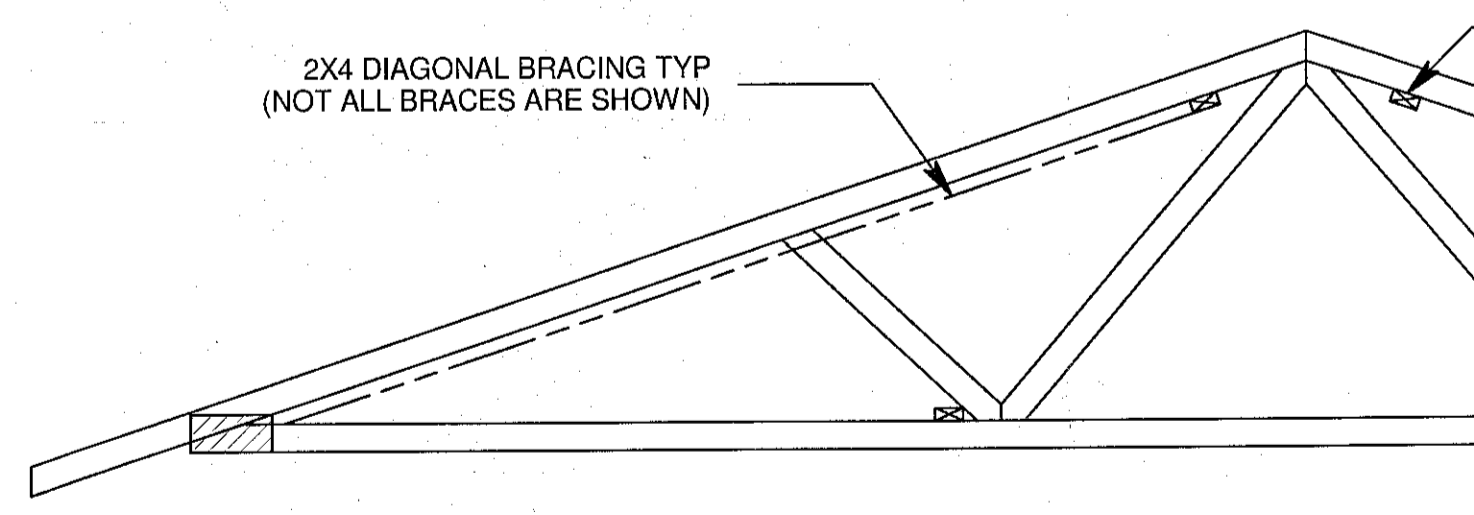
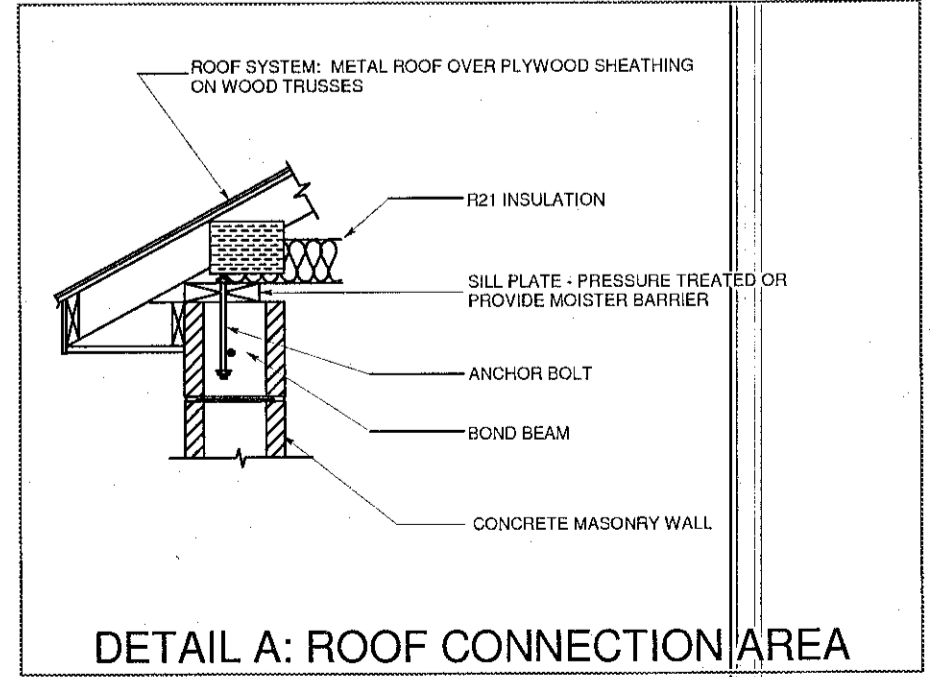


TRUSS TYPE = GABLE
 QUANTITY = 2
 BASE SPAN = 24 FT
 OVERHANG = 1 FT
 MANUFACTURER = NORTHEAST PANEL

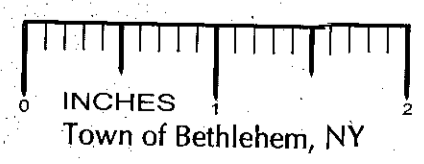


2X4 DIAGONAL BRACING TYP
 (NOT ALL BRACES ARE SHOWN)

TRUSS TYPE = FINK
 QUANTITY = 11
 BASE SPAN = 24 FT
 OVERHANG = 1 FT
 MANUFACTURER = NORTHEAST PANEL



AS AN ALTERNATIVE TO THE 5/8" PLYWOOD AND 30# FELT ROOF SUBSTRUCTURE, THE METAL ROOF MAY BE SCREWED TO 1-1/4" THICK FURRING 24" OC PER MANUFACTURERS INSTALLATION INSTRUCTIONS



Town of Bethlehem, NY

TOWN OF GLENMONT
 ALBANY COUNTY

COM
 N
 JEF