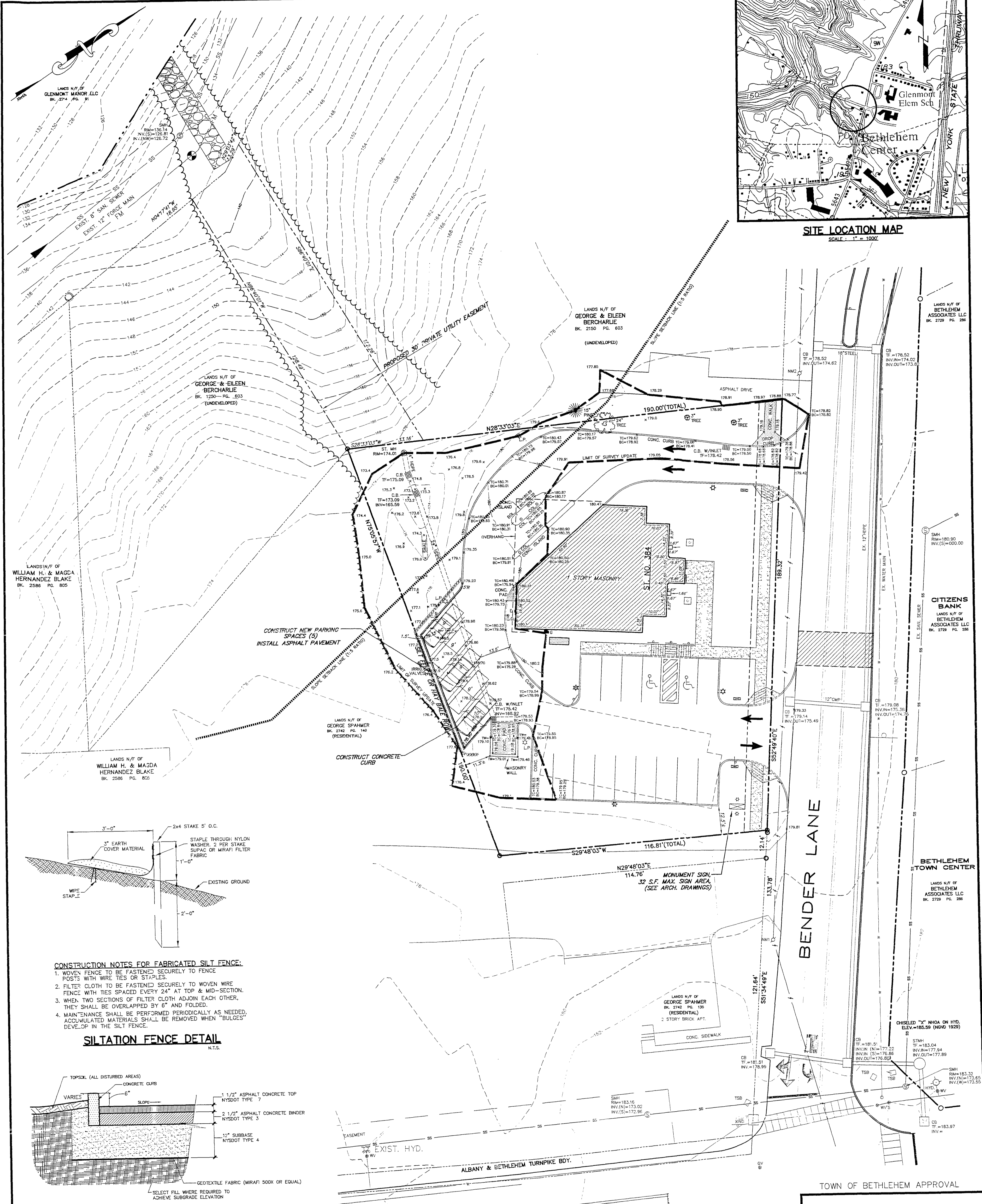
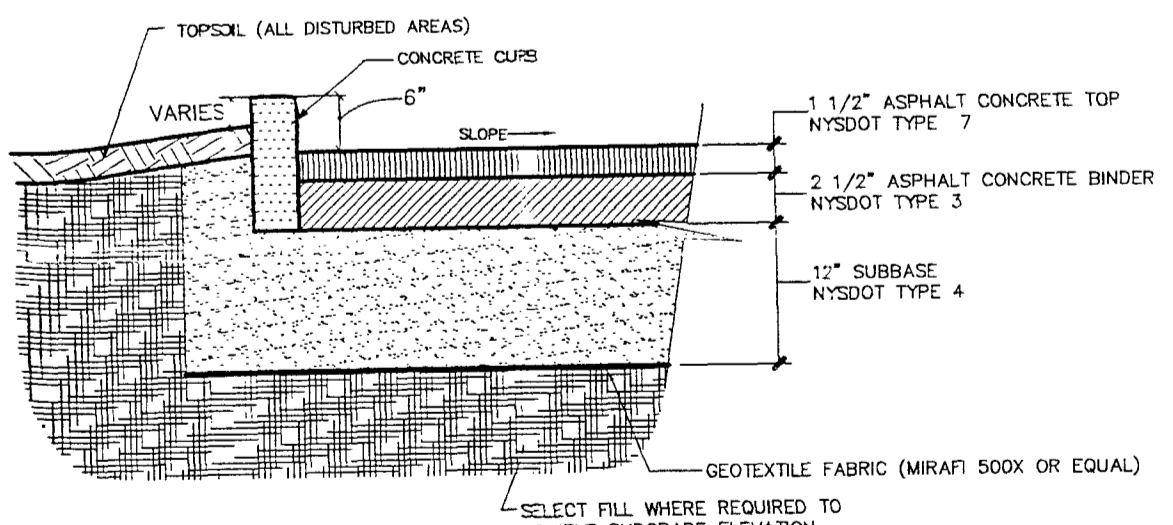
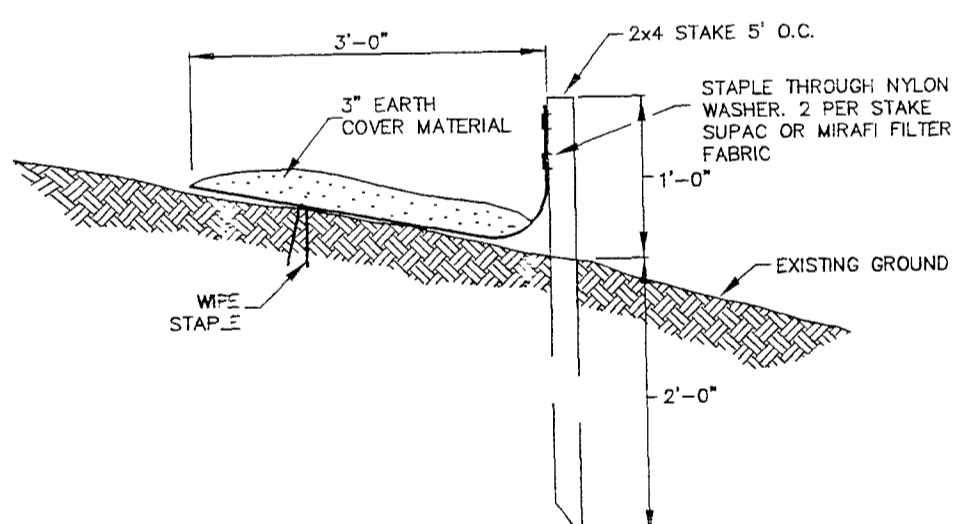


SITE LOCATION MAP
SCALE: 1" = 1000'



- CONSTRUCTION NOTES FOR FABRICATED SILT FENCE:**
1. WOVEN FENCE TO BE FASTENED SECURELY TO FENCE POSTS WITH WIRE TIES OR STAPLES.
 2. FILTER CLOTH TO BE FASTENED SECURELY TO WOVEN WIRE FENCE WITH TIES SPACED EVERY 24" AT TOP & MID-SECTION.
 3. WHEN TWO SECTIONS OF FILTER CLOTH ADJOIN EACH OTHER, THEY SHALL BE OVERLAPPED BY 6" AND FOLDED.
 4. MAINTENANCE SHALL BE PERFORMED PERIODICALLY AS NEEDED. ACCUMULATED MATERIALS SHALL BE REMOVED WHEN "BULGES" DEVELOP IN THE SILT FENCE.

SILTATION FENCE DETAIL
N.T.S.



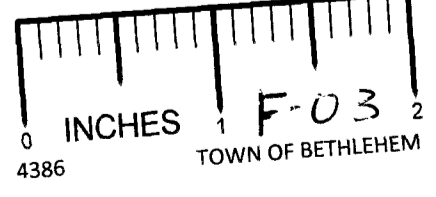
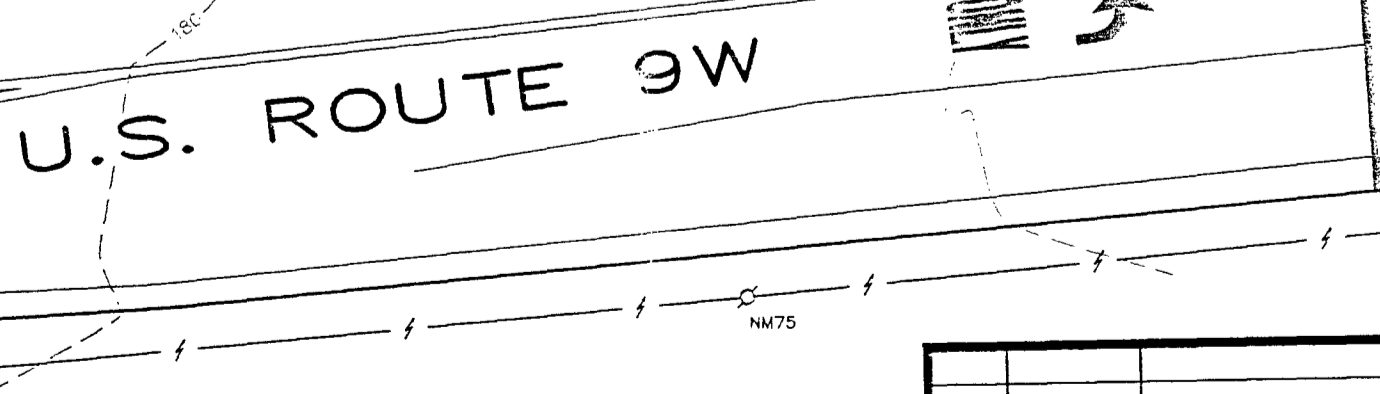
TYPICAL ASPHALT PAVEMENT SECTION (ON SITE)
N.T.S.

- NOTE:**
1. THE IN-PLACE DENSITY OF THE ASPHALT CONCRETE COURSES SHALL BE TESTED WITH A NUCLEAR METER AND SHOWN TO MEET THE FOLLOWING:
ASPHALT TOP - 95% OF THE MAXIMUM THEORETICAL DENSITY
ASPHALT BINDER - 93% OF THE MAXIMUM THEORETICAL DENSITY
 2. ASPHALT PAVEMENT TOP INSTALLATION SHALL INCLUDE THE PROPER PREPARATION OF THE ASPHALT BINDER SURFACE, INCLUDING POWER SWEEPING AND APPLICATION OF AN ASPHALT TACK COAT, IF ASPHALT TOP IS NOT CONSTRUCTED AT THE SAME TIME THAT THE ASPHALT BINDER IS INSTALLED.

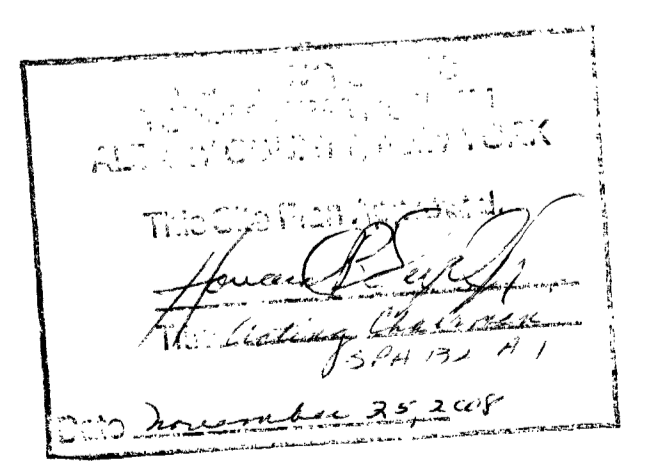
NOTES:

1. THE PROPERTY IS LOCATED WITHIN THE BETHLEHEM WATER DISTRICT.
2. THE PROJECT SITE IS LOCATED ON THE SOUTHERLY SIDE OF BENDER LANE AND IS NOT SUBJECT TO ROADWAY NOISE OR ODOR.
3. THE PROJECT SITE IS NOT SUBJECT TO ANY SIGNIFICANT OR UNUSUAL VISUAL FEATURES.
4. PROJECT VARIANCES GRANTED BY TOWN OF BETHLEHEM ZONING BOARD OF APPEALS ON MARCH 7, 2007.

APPLICANT / DEVELOPER:
CAPITAL COMMUNICATIONS FEDERAL CREDIT UNION
18 COMPUTER DRIVE EAST
ALBANY, NY 12205



RECEIVED
NOV 24 2008
PLANNING BOARD
TOWN OF BETHLEHEM



Rev. no.	Date	Description	By
E	11/11/08	ADDED CARS AT PARKING SPACES	EN
F	10/22/08	REVISED PER PLANNING BOARD COMMENTS	EN
E	9/12/08	SURVEY UPDATE TOPOGRAPHY & ADD 5 PARKING SPACES	EN
D	1/10/08	ADDED OPTION A (6 MORE PRKG SPACES)	EN
C	5/15/07	REVISED PER TOWN COMMENTS DATED 04/18/07	DB
B	4/10/07	REVISED PER TOWN COMMENTS	EN
A	3/21/07	REVISED PER PLANNING BOARD COMMENTS	EN

L.S. L. SIPPERLY & ASSOCIATES
ENGINEERS • SURVEYORS • LAND PLANNERS
696 TROY-SCHENECTADY ROAD, LATHAM, NY 12110
PHONE: (518) 782-1800 FAX: (518) 782-1252

It is a violation of the education law of the state of New York, for any person, unless he is acting under the direction of a licensed professional engineer, to alter this document in any way.

11.11.08

DESIGNED BY:
DRAWN BY: NC/EN
CHECKED BY: NC
APPROVED BY: L.T.S.
SCALE: 1"=20'
DATE: MARCH 1, 2007

CAPITAL COMMUNICATIONS FEDERAL CREDIT UNION GLENMONT BRANCH SITE PLAN

ST. NO. 384 BENDER LANE
COUNTY OF ALBANY

TOWN OF BETHLEHEM
STATE OF NEW YORK

© COPYRIGHT 2007 ASSOCIATES ALL RIGHTS RESERVED. UNAUTHORIZED REPRODUCTION IS A VIOLATION OF APPLICABLE LAWS.

SHEET NUMBER	
1	
1 OF 1	
REV. NO.	DWG. NO.
E	D-07122