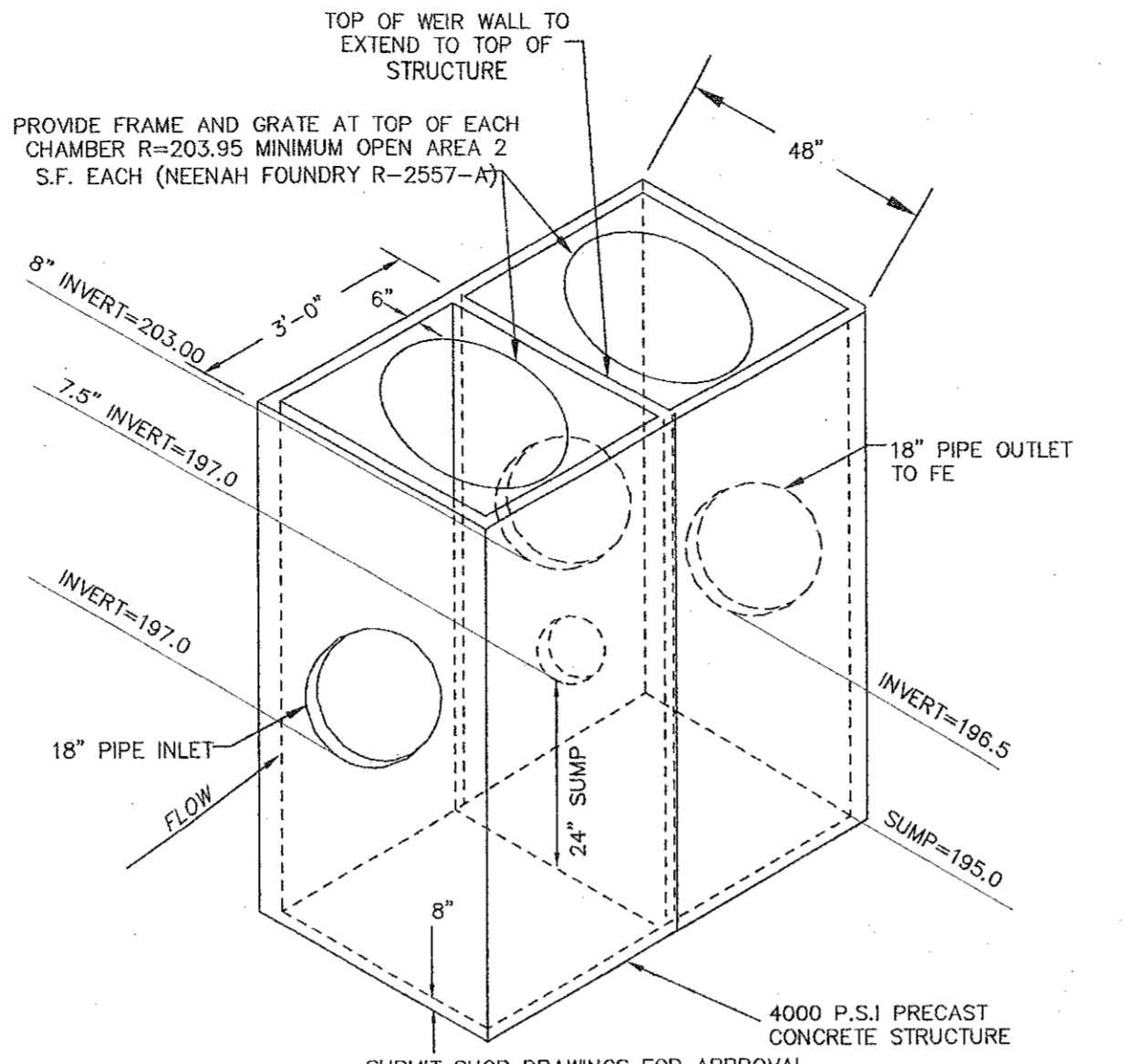
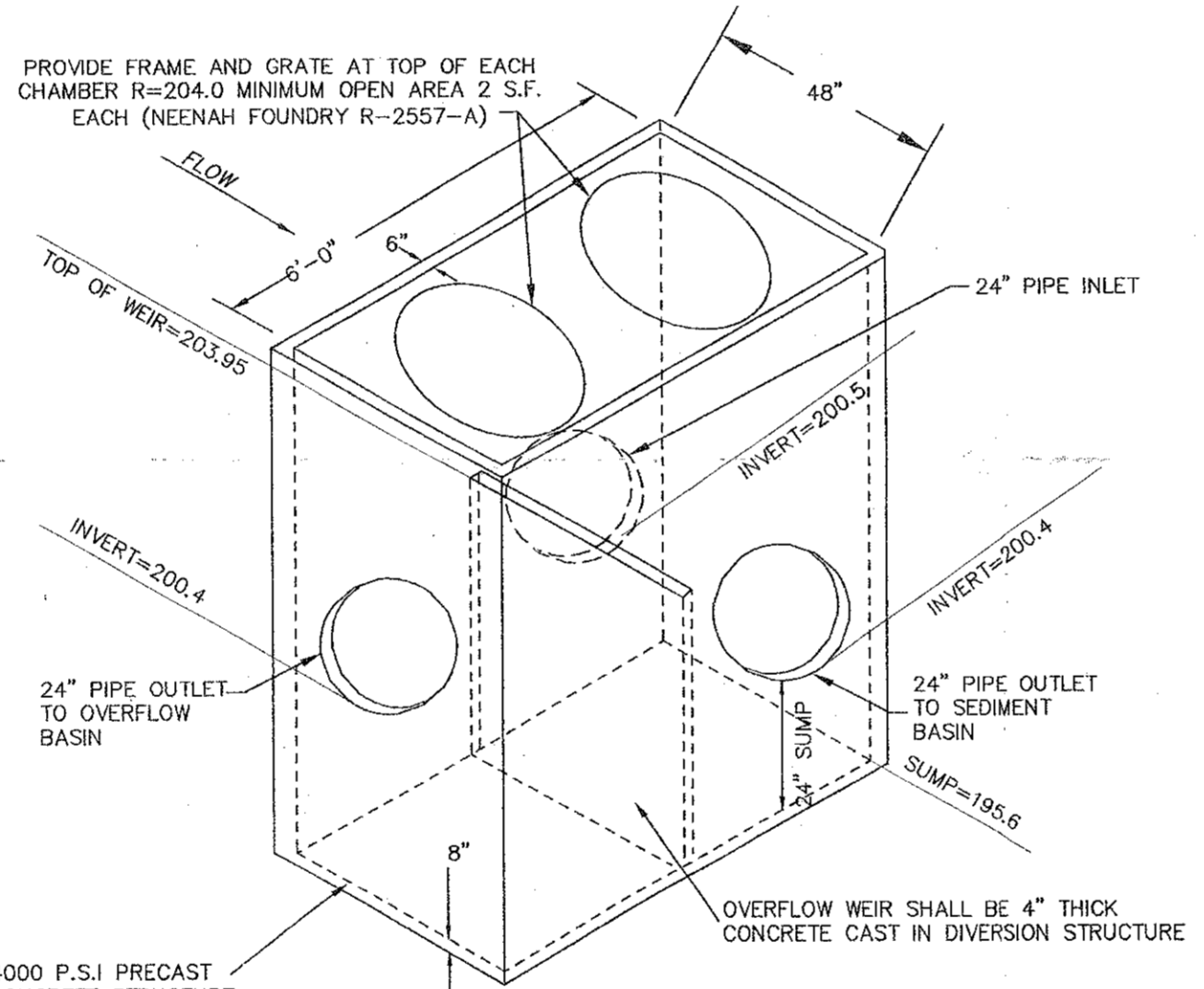


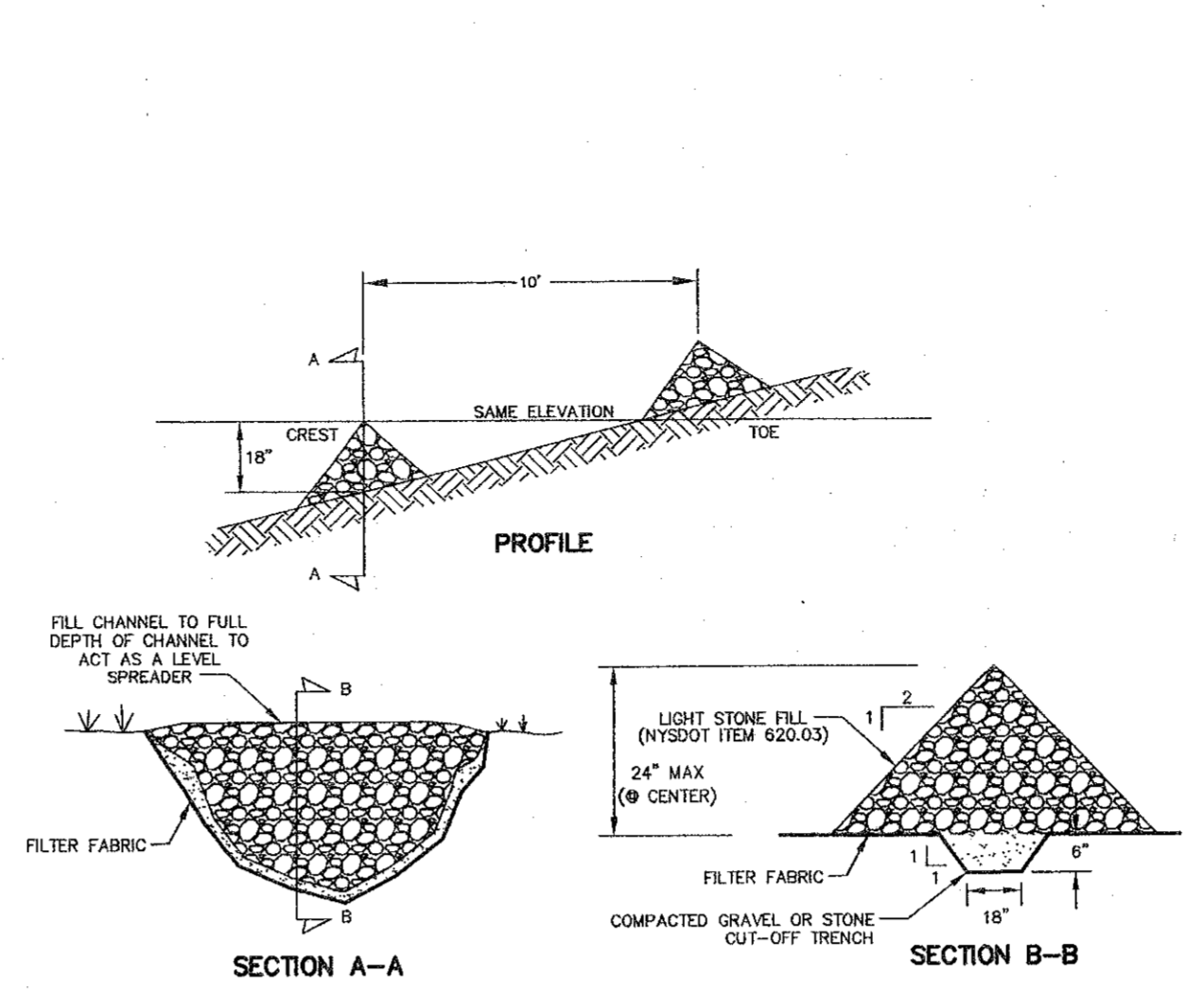
SWPPP BASIN #2 PLAN BUILDING SITE (PRIVATELY OWNED)
SCALE: 1"=30'



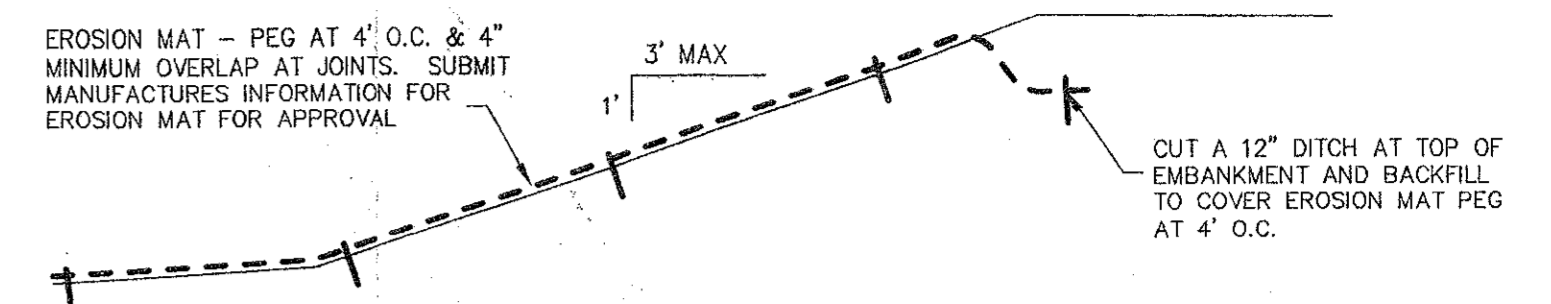
ORIFICE CONTROL STRUCTURE DETAIL (OCS2)
NOT TO SCALE



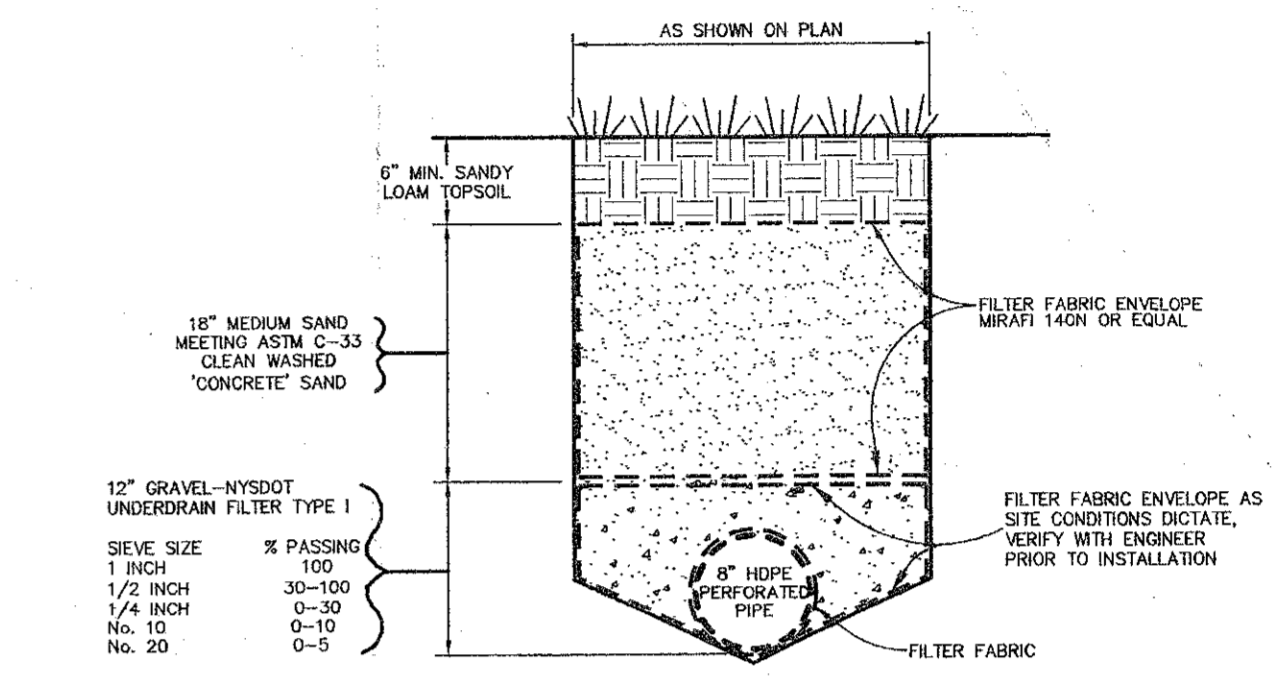
DIVERSION STRUCTURE DETAIL (DS2)
NOT TO SCALE



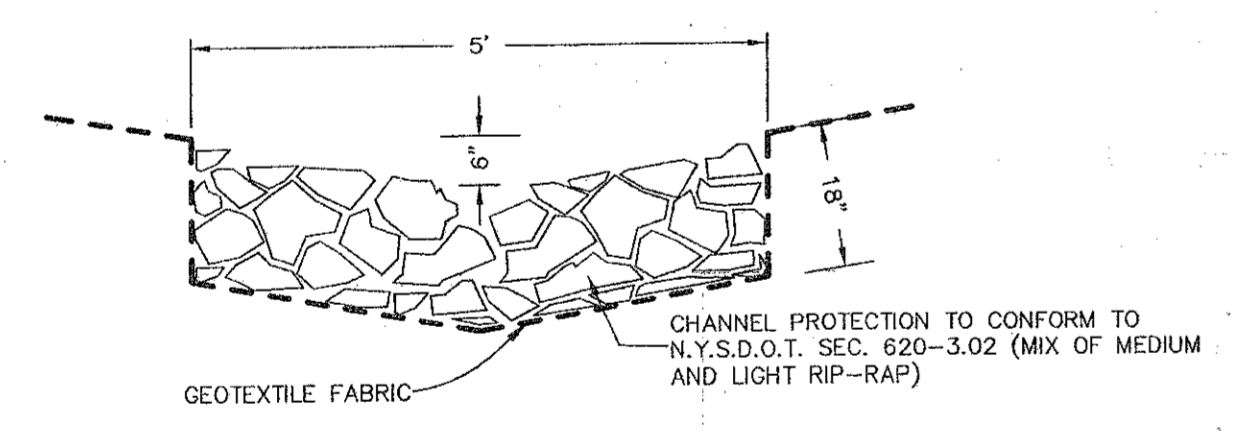
STONE CHECK DAM DETAIL
NOT TO SCALE



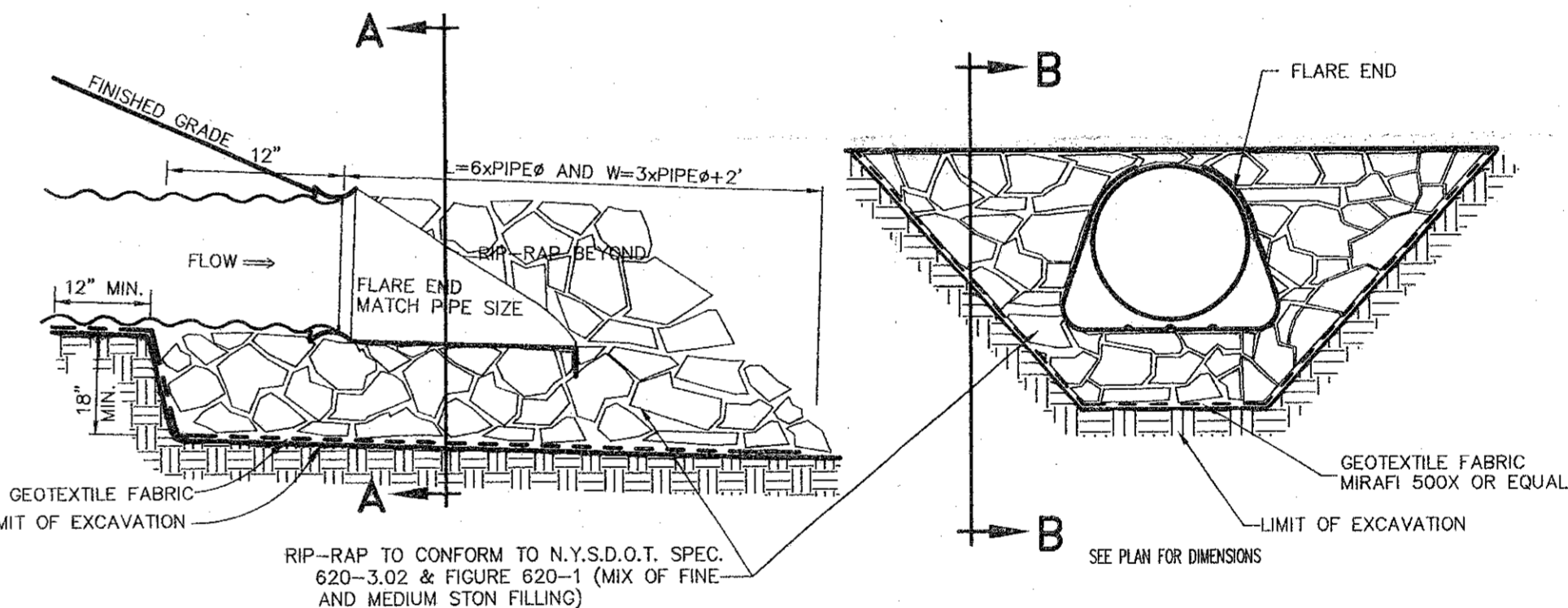
STABILIZED SLOPE DETAIL
NOT TO SCALE



SAND FILTER BED SECTION DETAIL
NOT TO SCALE

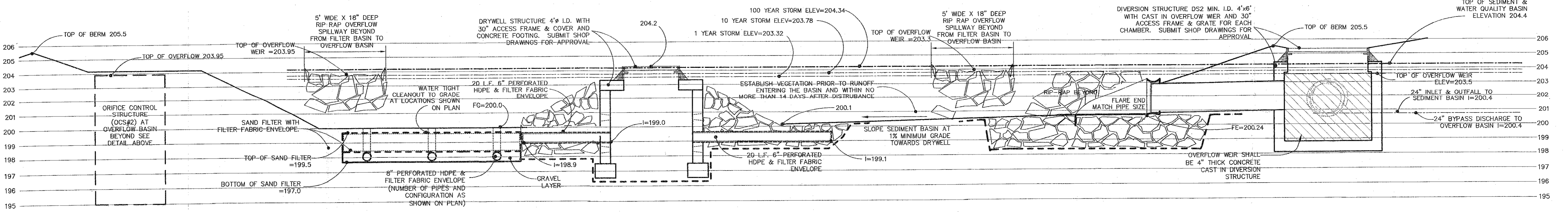


OVERFLOW CHANNEL DETAIL
NOT TO SCALE



SECTION B-B
FLARE END SECTION DETAIL
NOT TO SCALE

PLANNING BOARD
TOWN OF BETHLEHEM
ALBANY COUNTY, NEW YORK
This Site Plan Approved
James J. Finney
Title: CHAIRMAN
Date: 8/22/2011 SP#169



SEDIMENT BASIN

STORMWATER POLLUTION PROTECTION SURFACE SAND FILTER DETAIL SECTION A-A (SWPPP BASIN #2)
NOT TO SCALE

ALBANY COUNTY DEPARTMENT OF HEALTH
DIVISION OF ENVIRONMENTAL HEALTH SERVICES
By direction of the Commissioner of Health, these plans are hereby approved. See first sheet for date and signature.

HERSHBERG & HERSHBERG
Consulting Engineers and Land Surveyors
18 Locust Street
Albany, New York 12203

ALTERATION OF THIS DOCUMENT EXCEPT BY A LICENSED PROFESSIONAL ENGINEER OR LAND SURVEYOR, IS ILLEGAL.



DATE	REVISIONS
11/20/08	GENERAL
11/28/08	TOWN COMMENTS SUBMISSION
3/20/09	TOWN COMMENTS RE-SUBMISSION
6/19/09	TOWN COMMENTS RE-SUBMISSION
8/19/09	TOWN COMMENTS RE-SUBMISSION
2/18/10	TOWN COMMENTS RE-SUBMISSION

SWPPP BASIN #2 PLAN AND DETAILS - PHASE 1A
VISTA TECHNOLOGY CAMPUS
TOWN OF BETHLEHEM
ALBANY COUNTY, STATE OF NEW YORK

RECEIVED
AUG 12 2011
Town of Bethlehem Planning Board

