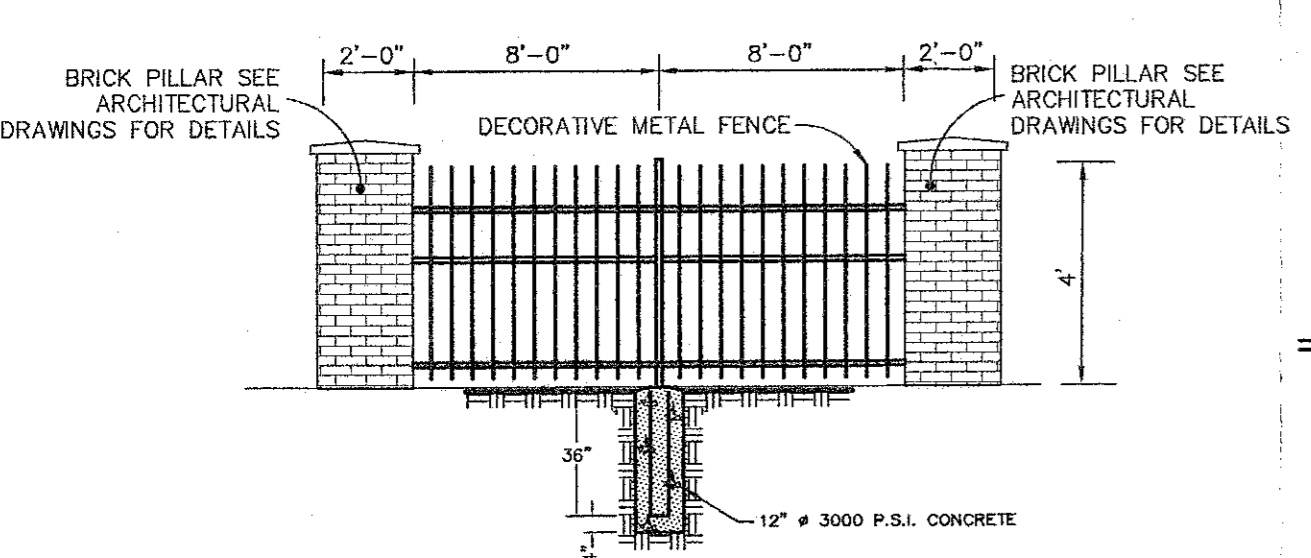
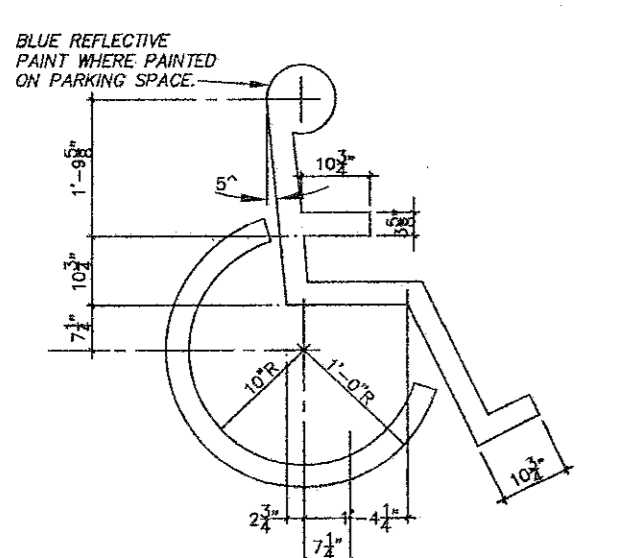


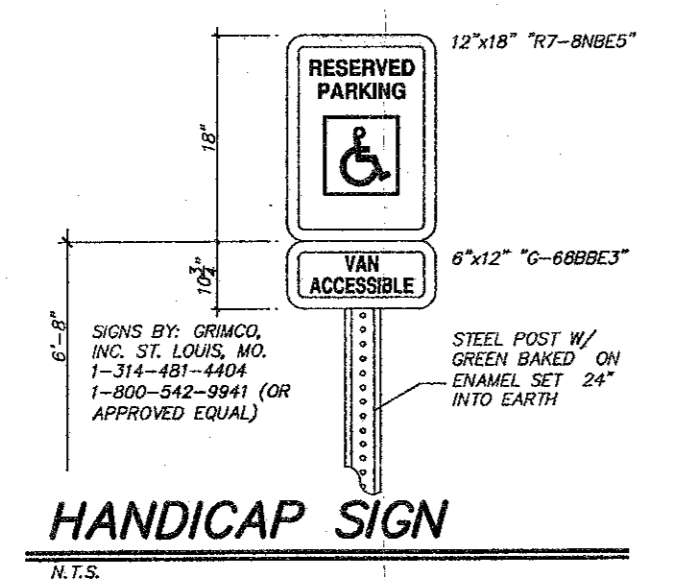
CATCH BASIN DETAIL
 NOT TO SCALE



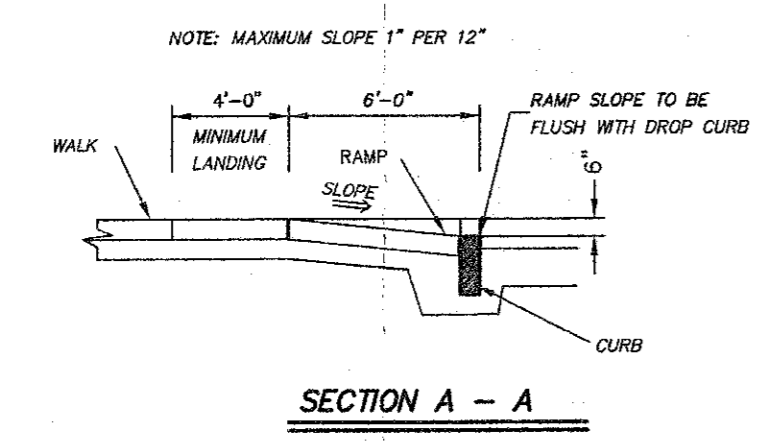
DECORATIVE FENCE DETAIL
 NOT TO SCALE



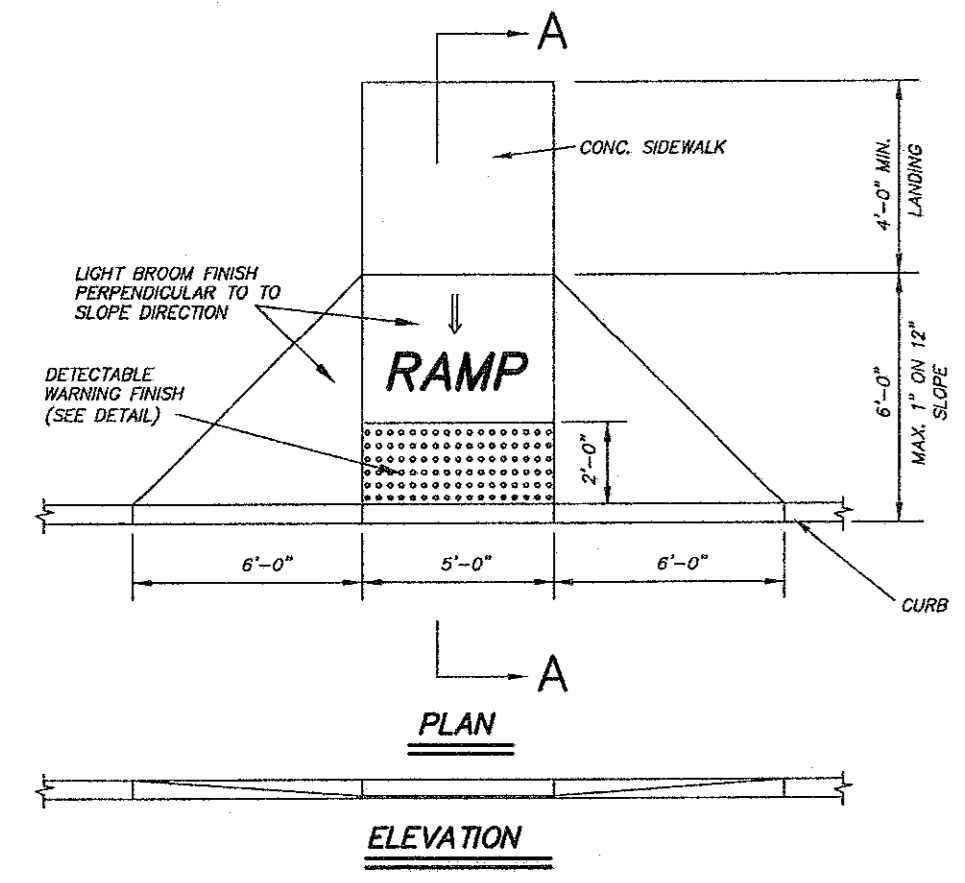
HANDICAP SYMBOL
 N.T.S.



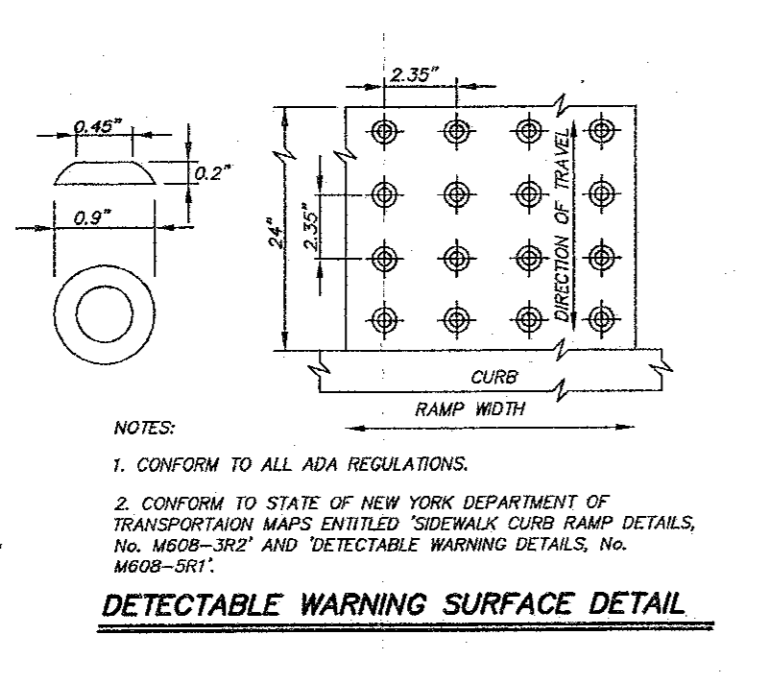
HANDICAP SIGN
 N.T.S.



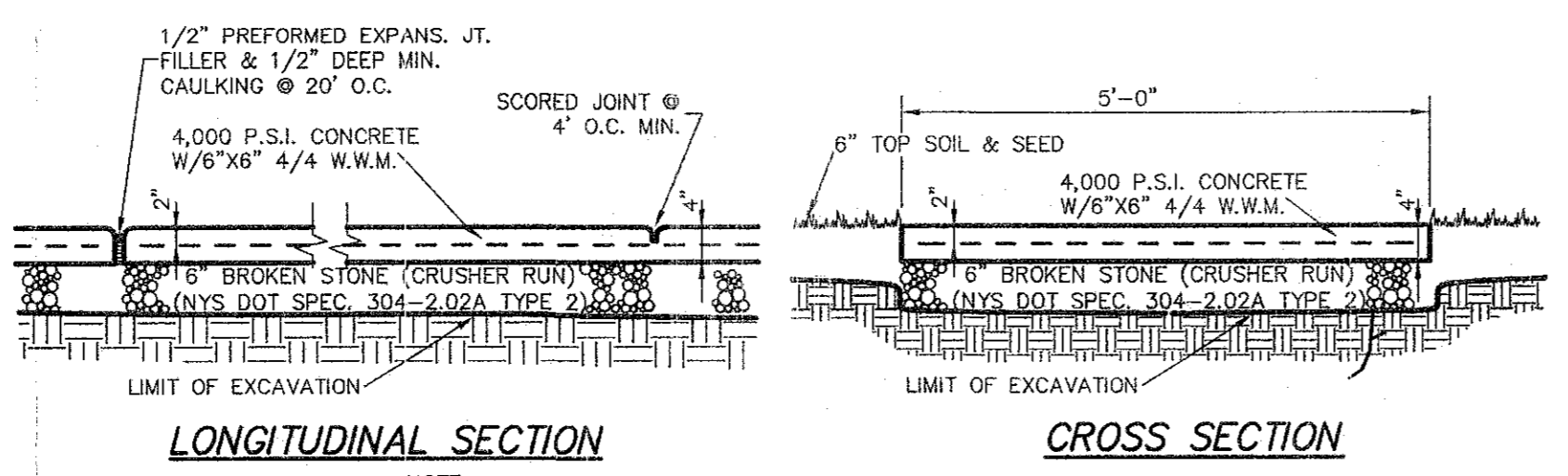
SECTION A - A



HANDICAPPED RAMP PLAN (PRIVATE)
 N.T.S.

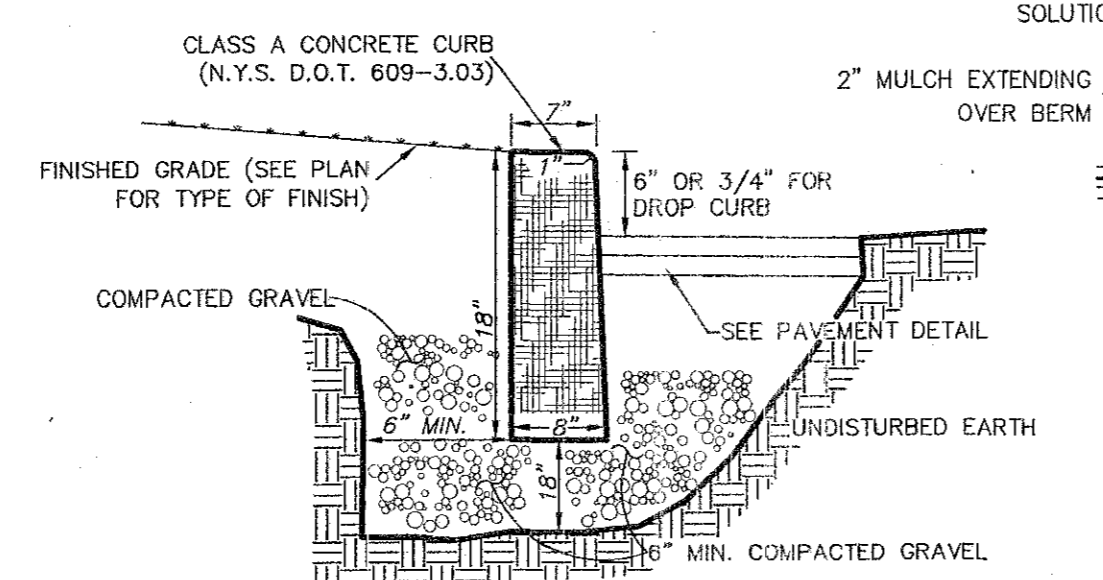


DETECTABLE WARNING SURFACE DETAIL

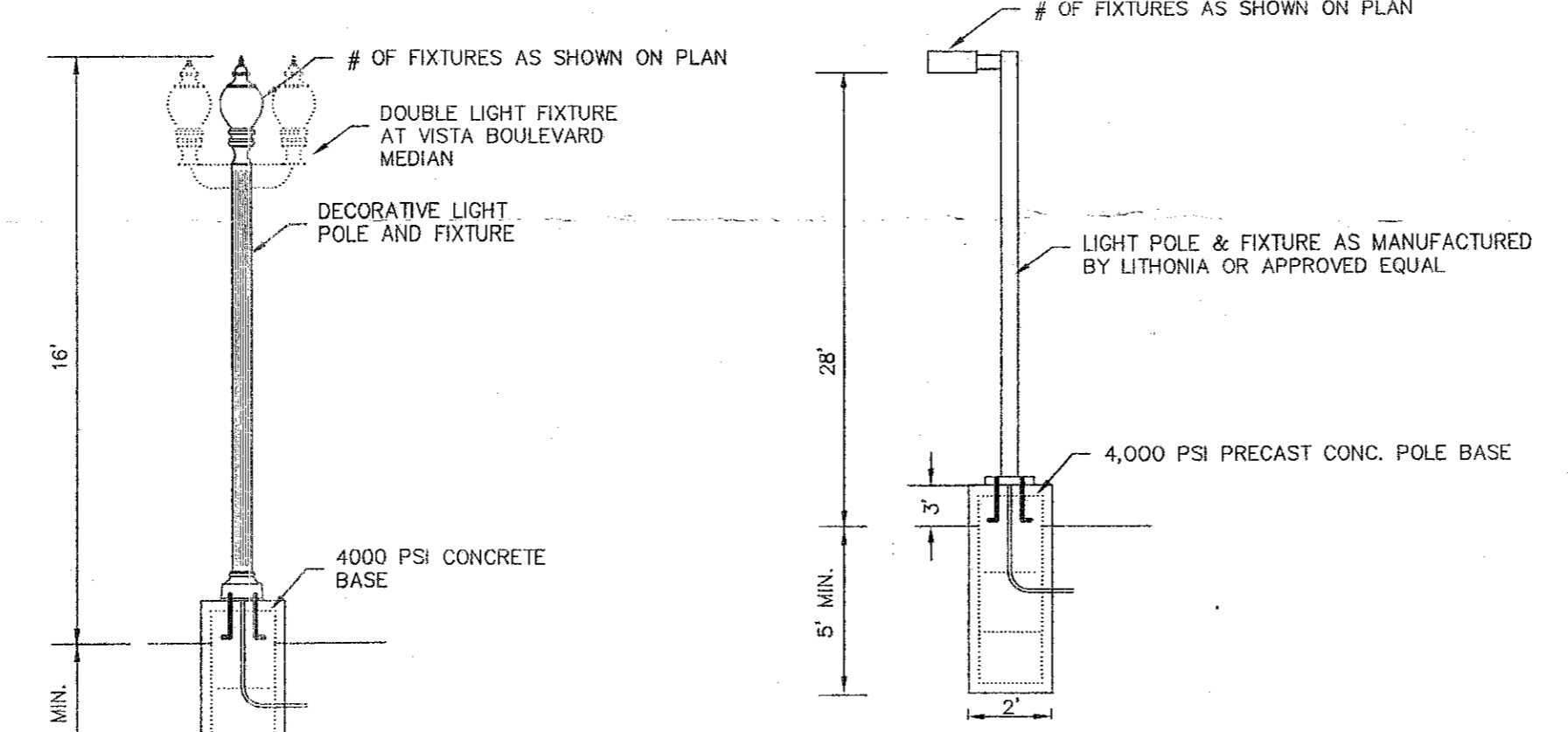


LONGITUDINAL SECTION
CROSS SECTION

CONCRETE WALK DETAIL
 NOT TO SCALE



CAST IN PLACE CONCRETE CURB DETAIL
 NOT TO SCALE

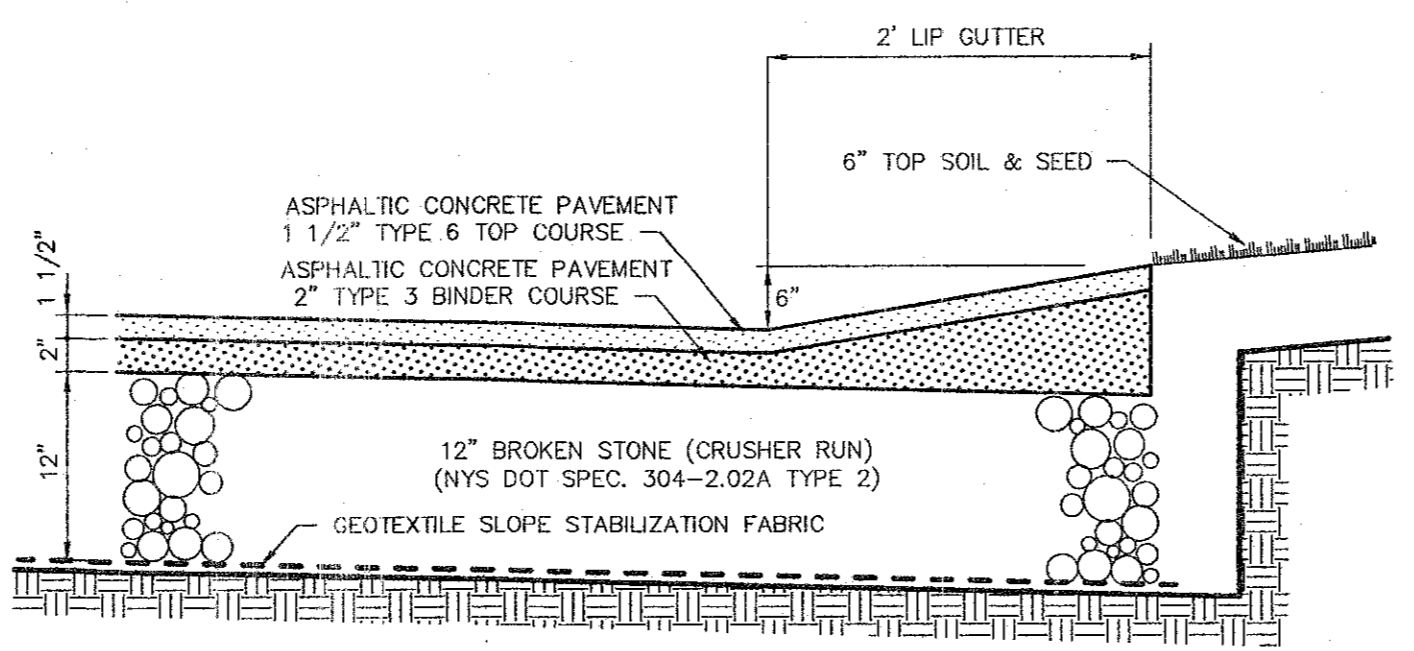


DECORATIVE LIGHT DETAIL
 NOT TO SCALE

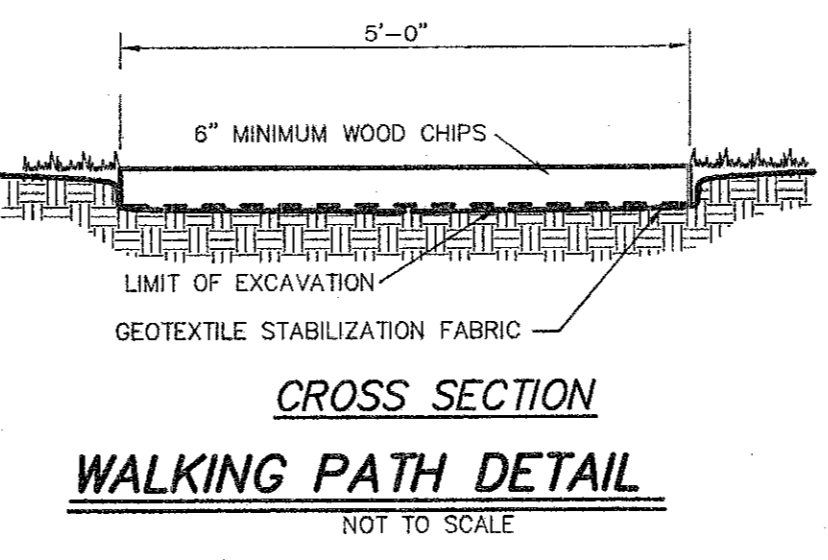
LIGHT POLE DETAIL
 NOT TO SCALE

SITE ELECTRIC NOTES:
 1. ALL WIRING SHALL BE TYPE THWN IN 3/4" PVC CONDUIT AT 18" BELOW FINISHED GRADE
 2. CONNECT GROUND CONDUCTOR TO EACH LIGHTING POLE BASE AND TO GROUND BUS IN LIGHTING PANEL
 3. PROVIDE POLE BASES AS DETAILED, WITH EMBEDDED CONCEALED CONDUITS
 4. WIRING FROM POLE BASE TO FIXTURE MAY BE NO. 12 SIZE
 5. LIGHTING POLES & FIXTURES SHALL BE AS FOLLOWS:
 TYPE A - 250W HPS LAMP, 277V BALLAST, DARK BRONZE FINISH
 TYPE B - SAME AS TYPE A EXCEPT WITH 2 FIXTURES PER POLE @ 180" APART

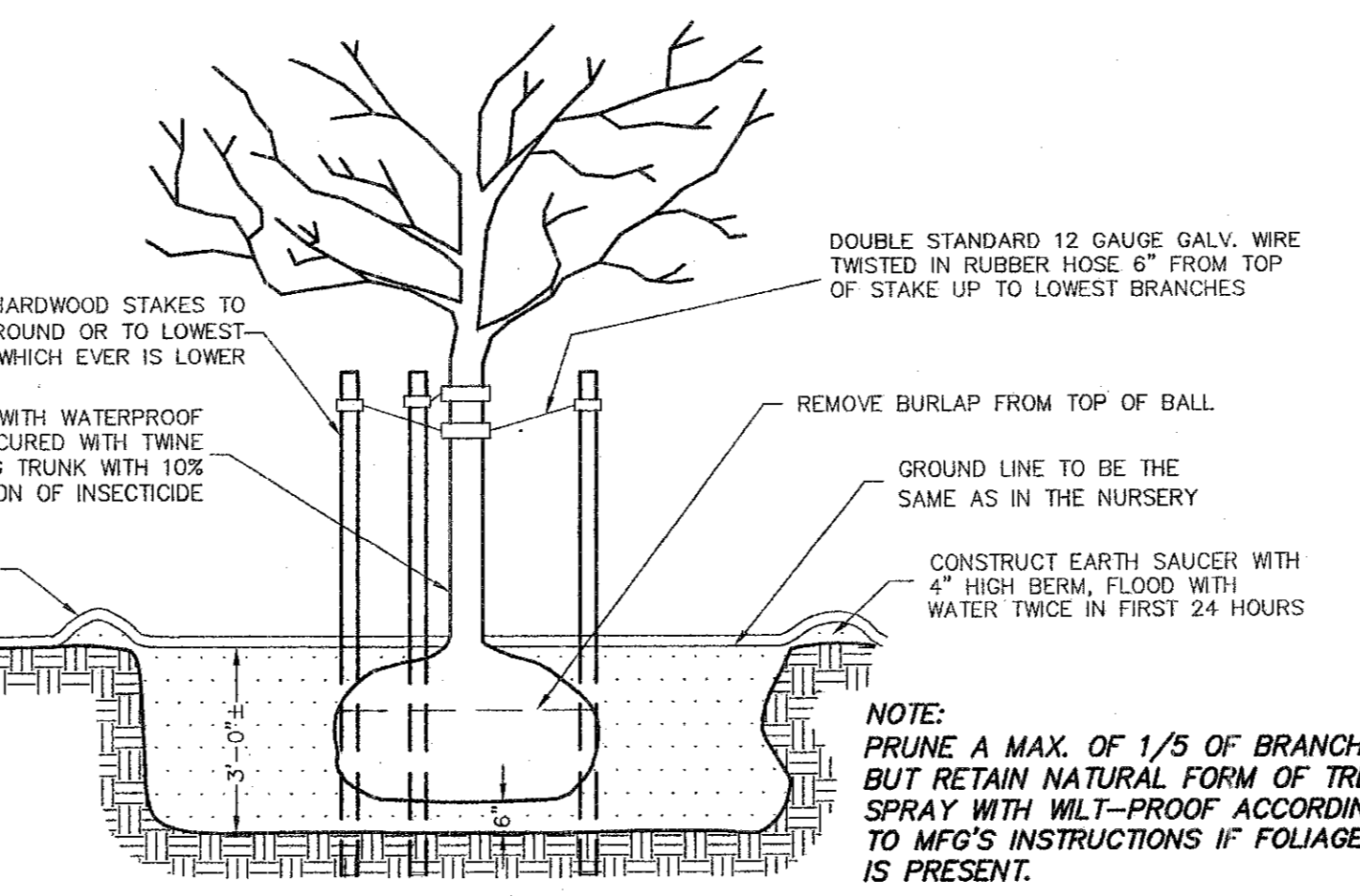
□ DENOTES TYPE A LIGHT POLE, BASE & FIXTURE
 □-□ DENOTES TYPE B LIGHT POLE, BASE & FIXTURE



STANDARD PAVEMENT & LIP GUTTER DETAIL
 NOT TO SCALE

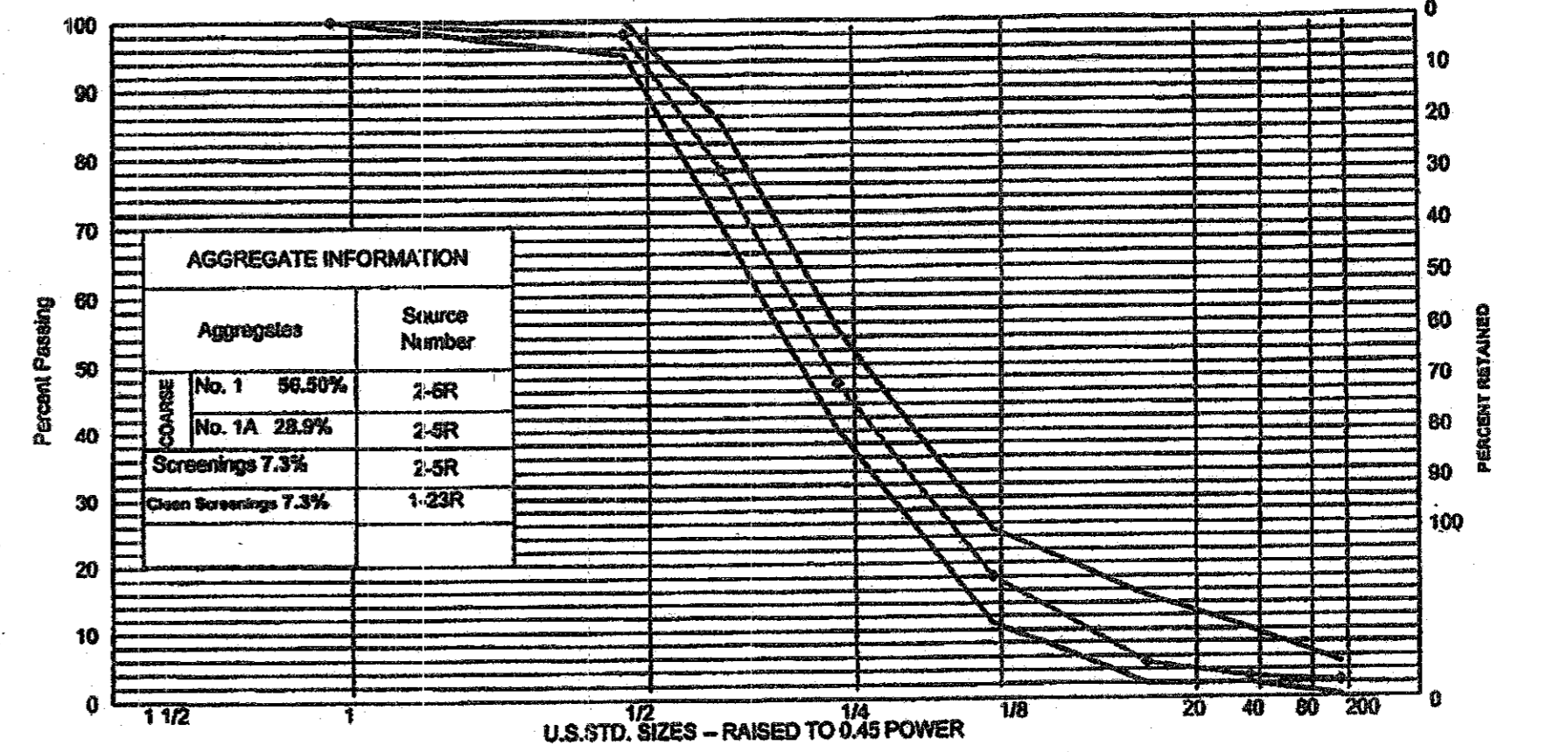


WALKING PATH DETAIL
 NOT TO SCALE



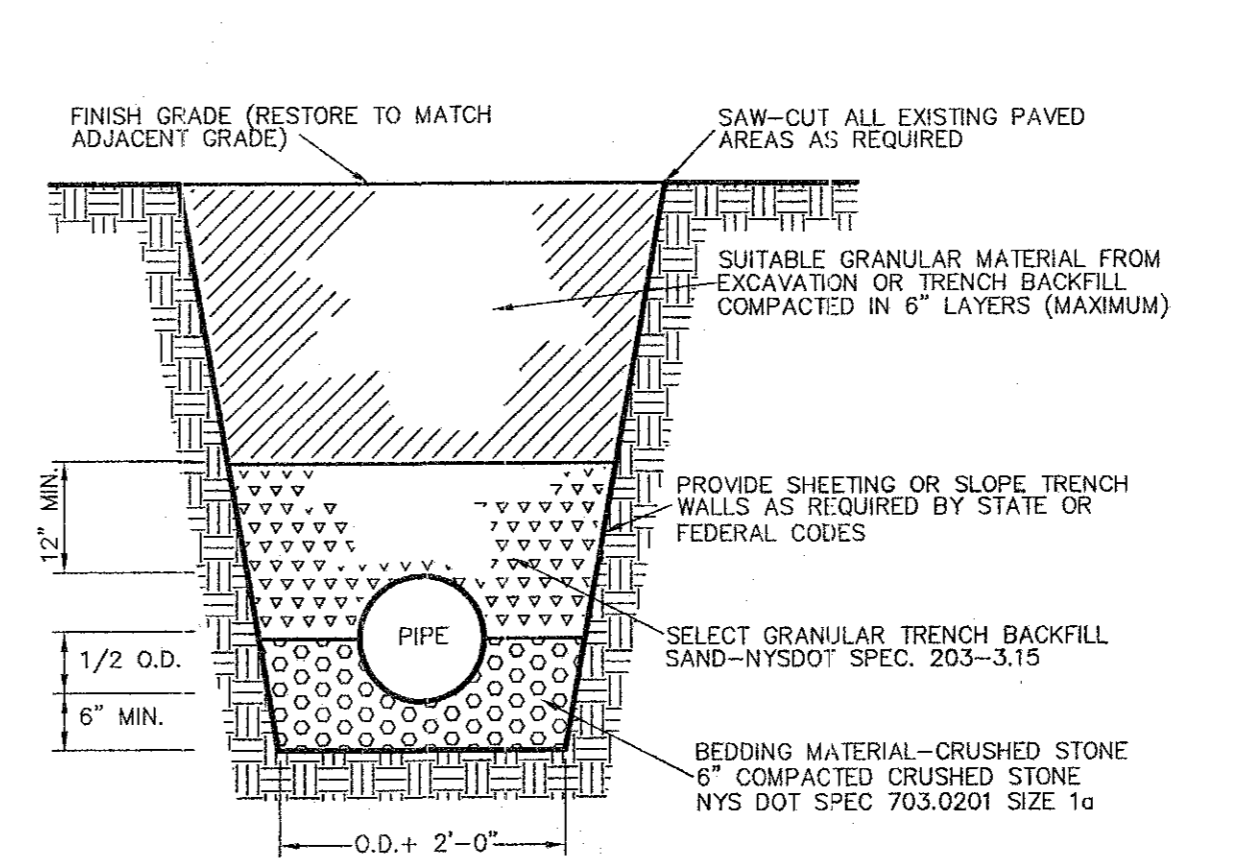
NEW TREE PLANTING DETAIL
 NOT TO SCALE

NEW YORK STATE
 DEPARTMENT OF TRANSPORTATION
 MATERIALS BUREAU
 JOB MIX FORMULA
 Porous Top

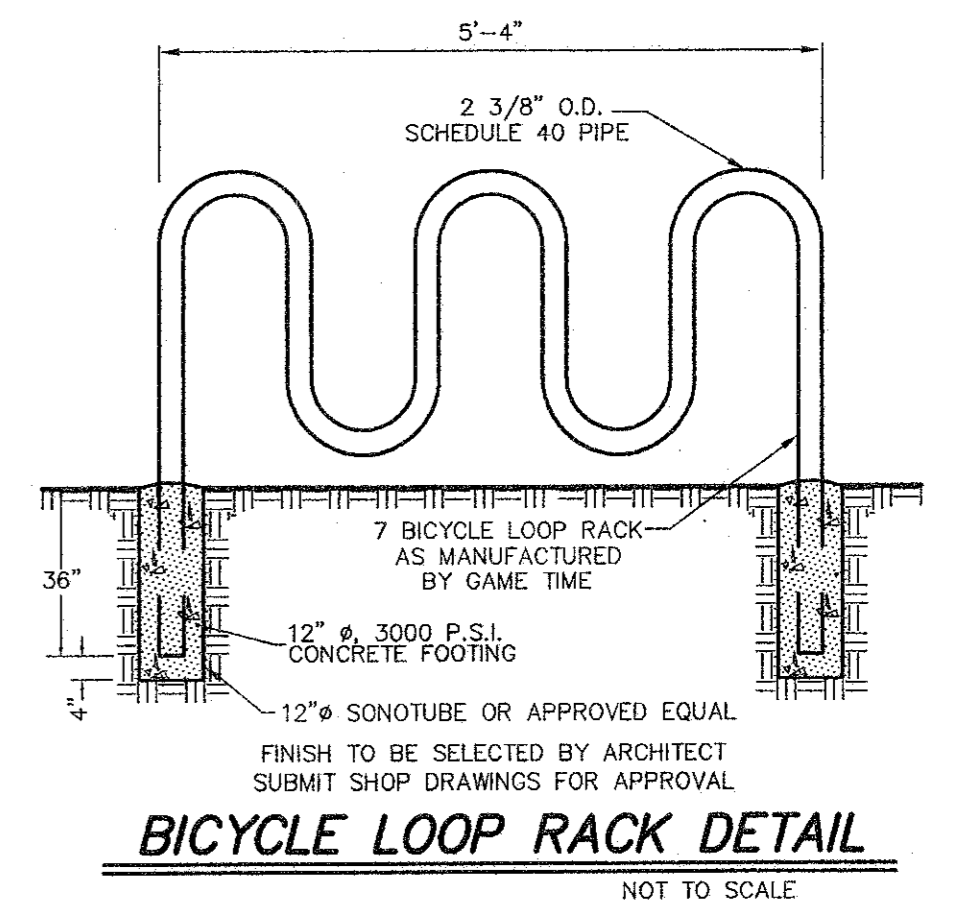


Sieve Size	Percent Passing AASHTO #3	Percent Passing ASTM C335C Size #7	Percent Passing AASHTO #57
62.5	2.5	100	100
50	95-100	100	100
37.5	35-70	100	100
25	0-15	100	75-100
18.75	0-5	90-100	25-60
9.5	0-5	0-15	25
4.75	0-5	0-10	0-5
2.36	0	0	0-5

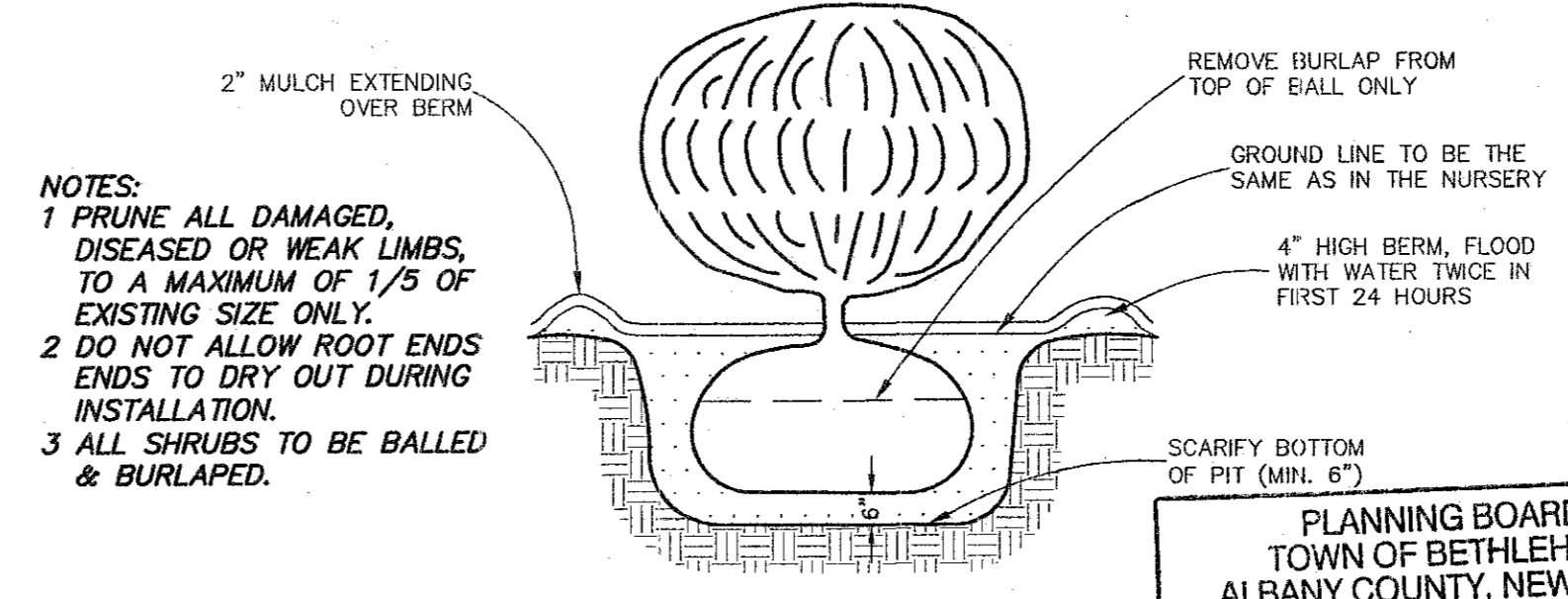
PARKING LOT POROUS PAVEMENT
 COMPLIANT WITH JUNE 2010 NYSSWDM
 NOT TO SCALE



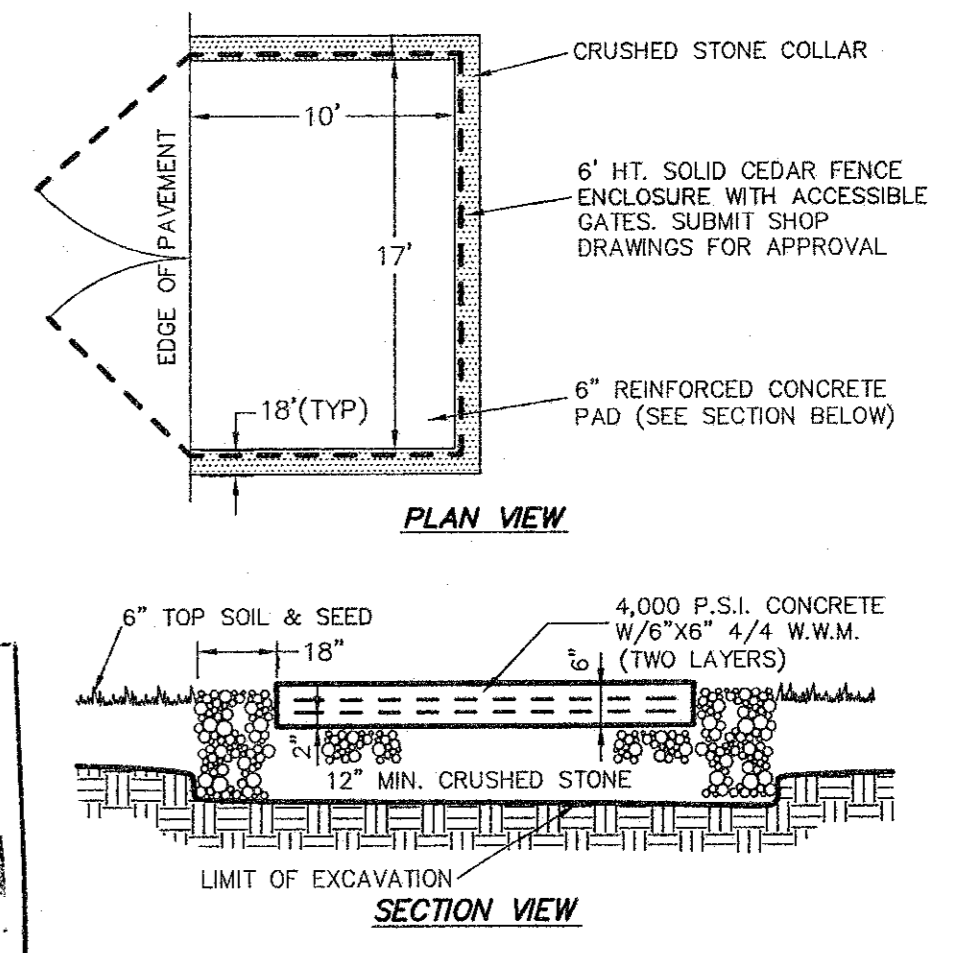
TYPICAL TRENCH DETAIL
 NOT TO SCALE



BICYCLE LOOP RACK DETAIL
 NOT TO SCALE



SHRUB PLANTING DETAIL
 NOT TO SCALE



DUMPSTER PAD DETAIL
 NOT TO SCALE

PLANNING BOARD
 TOWN OF BETHLEHEM
 ALBANY COUNTY, NEW YORK
 This Site Plan Approved
 Date December 22, 2011
 SPA 179 + SPA 179A-1

HERSHBERG & HERSHBERG
 Consulting Engineers and Land Surveyors
 18 Locust Street
 Albany, New York 12203

ALTERATION OF THIS DOCUMENT EXCEPT BY A LICENSED PROFESSIONAL ENGINEER OR LAND SURVEYOR, IS ILLEGAL.

DATE	REVISIONS
3/25/11	TOWN RESUBMISSION
4/12/11	DECORATIVE LIGHT POLE DETAIL
8/15/11	SWPPP
9/28/11	TOWN COMMENTS
9/19/11	PLANNING STAFF COMMENTS

SITE DETAILS FOR PROPOSED - PHASE 1B
VISTA TECHNOLOGY CAMPUS
TOWN OF BETHLEHEM
ALBANY COUNTY, STATE OF NEW YORK