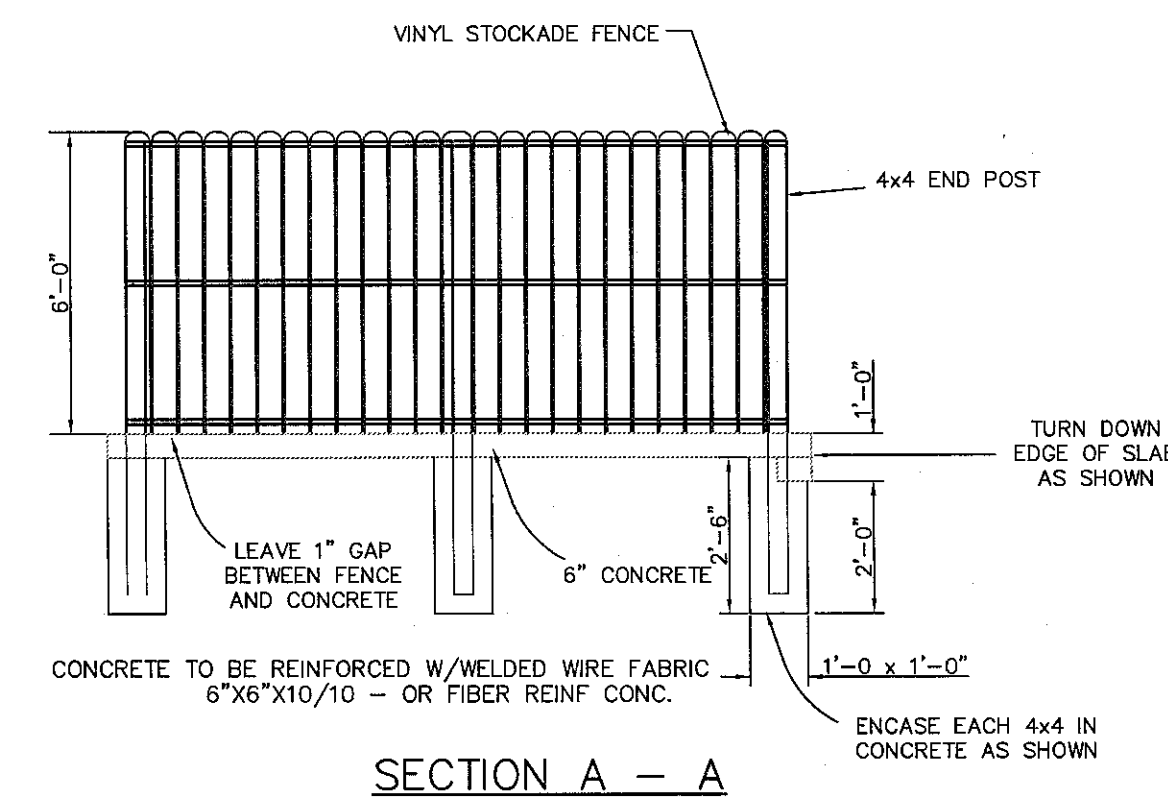
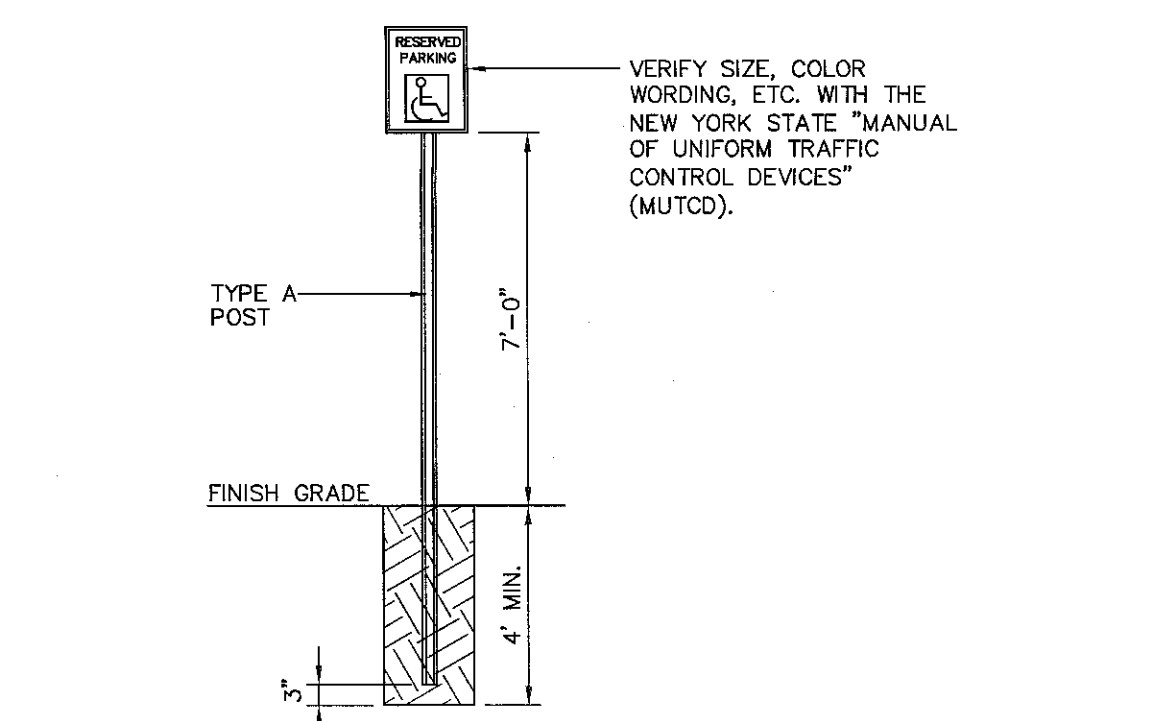


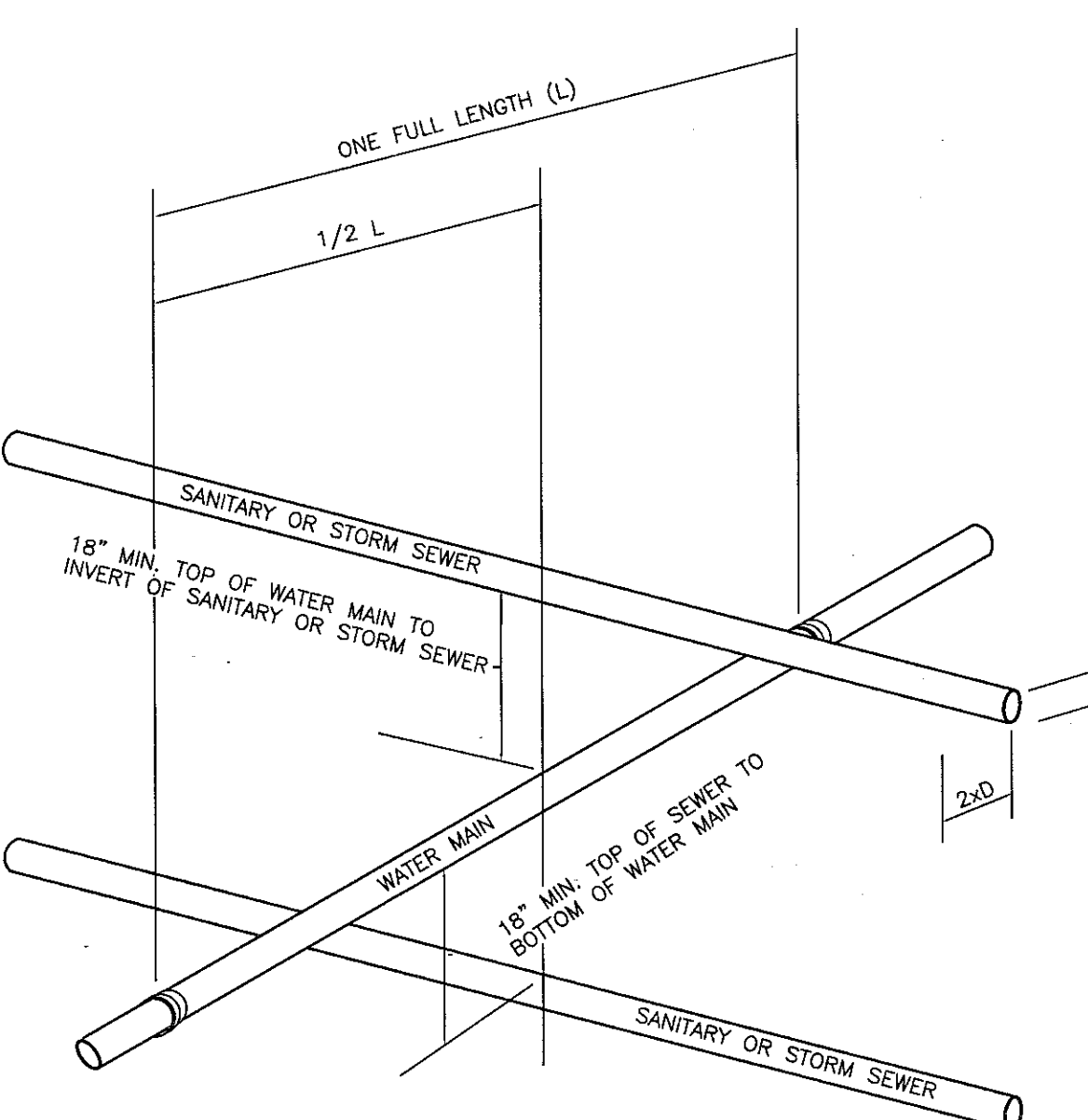
1 TRASH AREA SCREENING DETAIL  
NOT TO SCALE



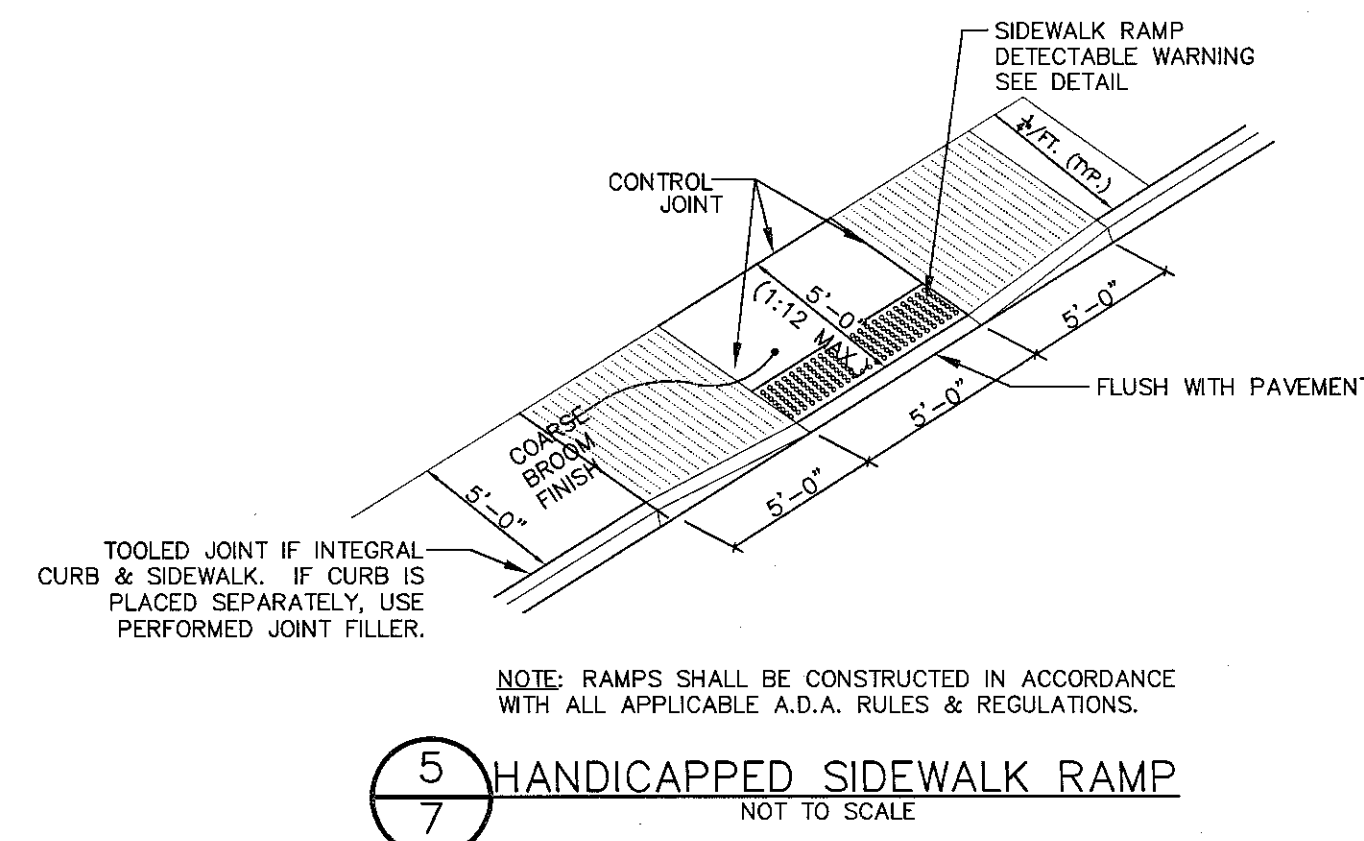
1 TRASH AREA SCREENING DETAIL  
NOT TO SCALE



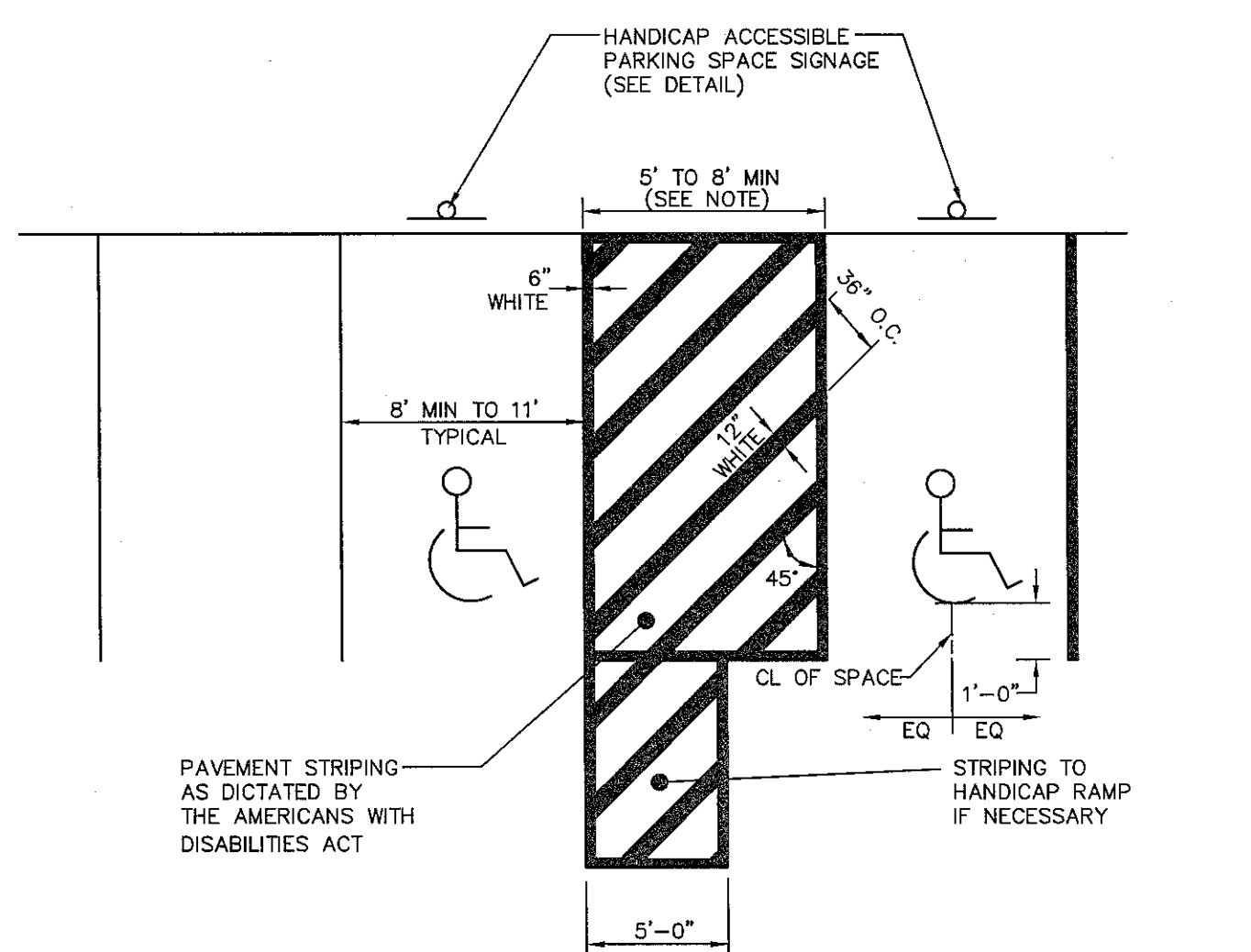
2 ACCESSIBLE PARKING SIGN  
NOT TO SCALE



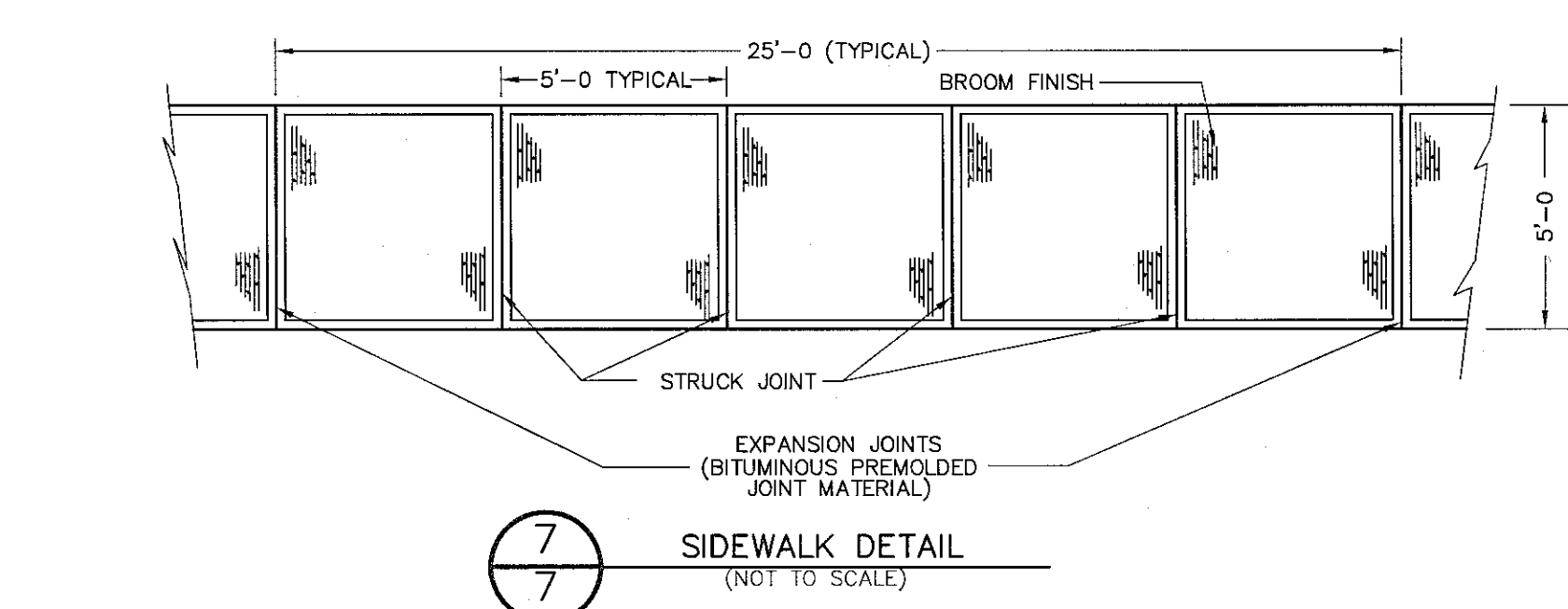
3 VERTICAL PIPE CROSSING DETAIL  
NOT TO SCALE



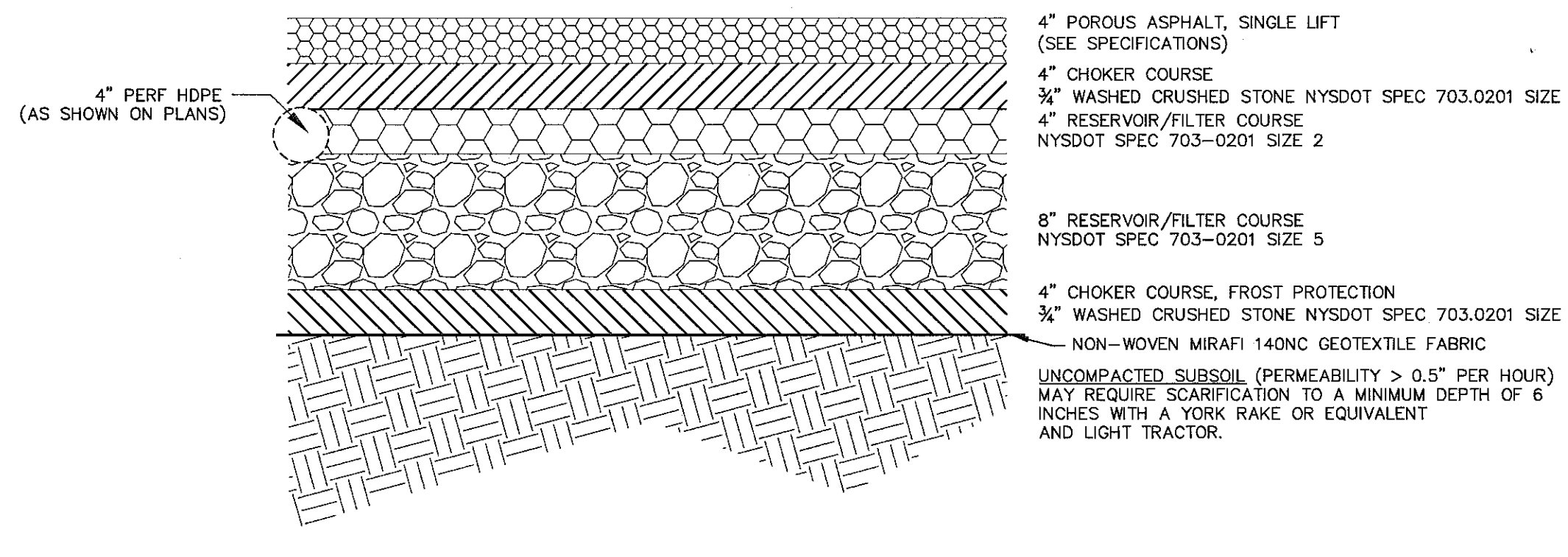
5 HANDICAPPED SIDEWALK RAMP  
NOT TO SCALE



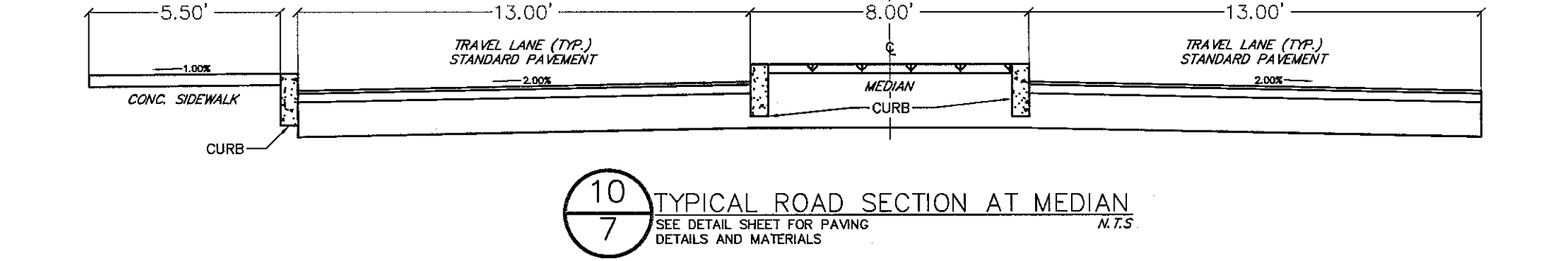
6 HANDICAPPED ACCESSIBLE PARKING SPACE DETAIL  
NOT TO SCALE



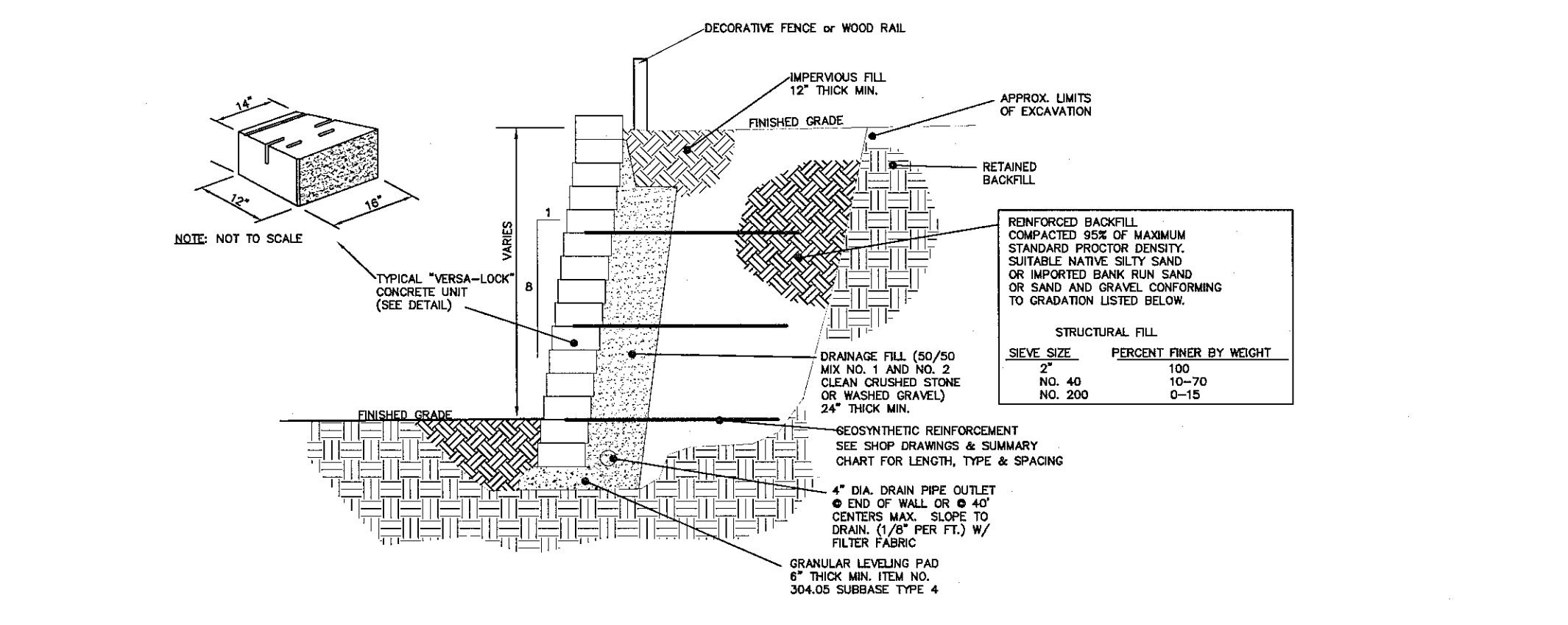
8 GRASS CHANNEL SECTION  
(LOCATED IN THE REAR OF BUILDINGS 15, 19 & 33)  
NOT TO SCALE



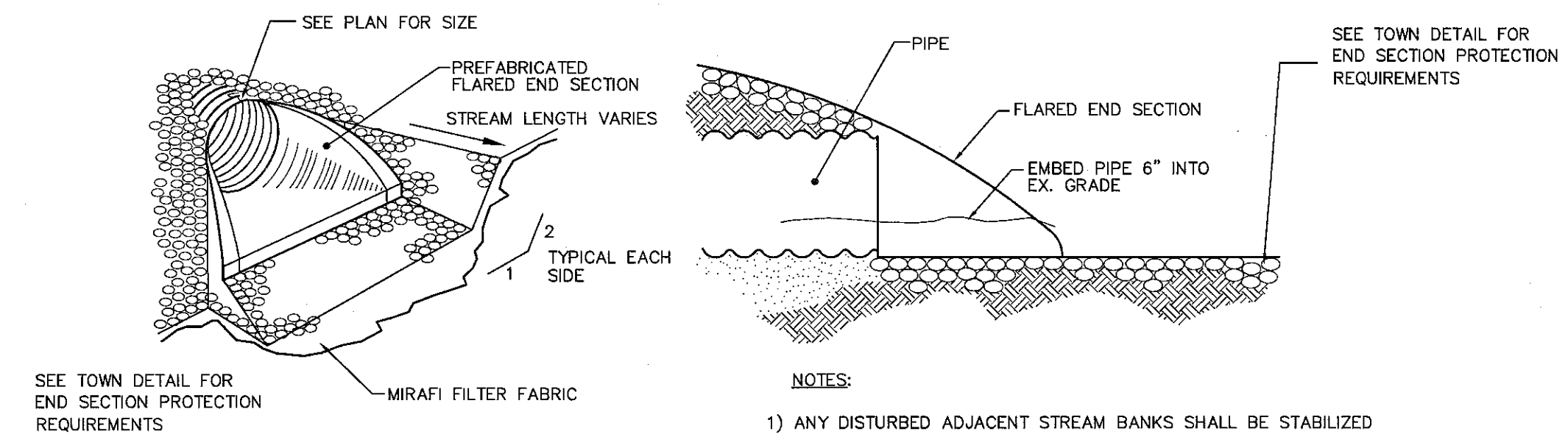
9 POROUS PAVEMENT CROSS SECTION  
NOT TO SCALE  
AS INDICATED ON SITE PLAN



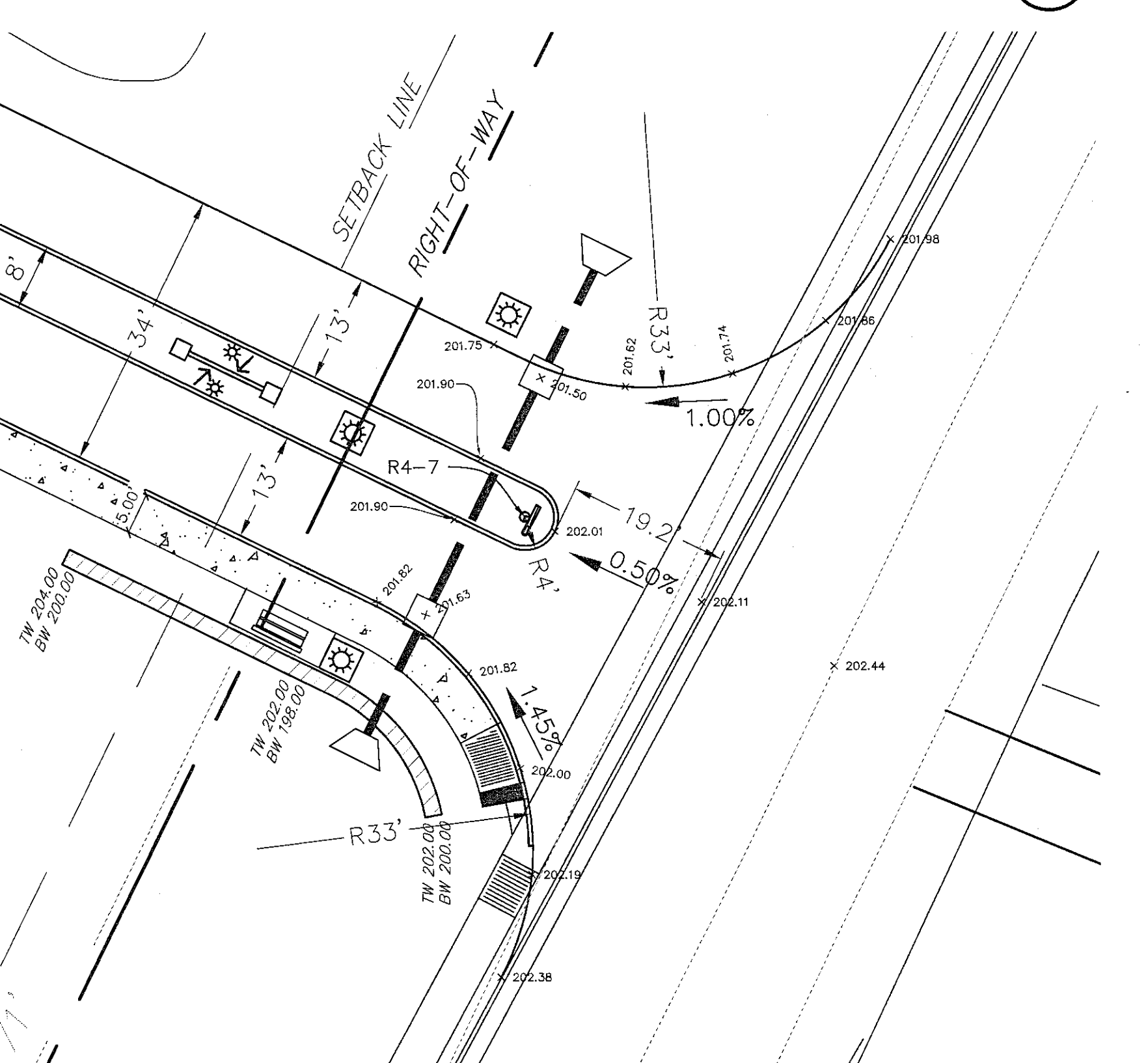
10 TYPICAL ROAD SECTION AT MEDIAN  
SEE DETAIL SHEET FOR PAVING DETAILS AND MATERIALS



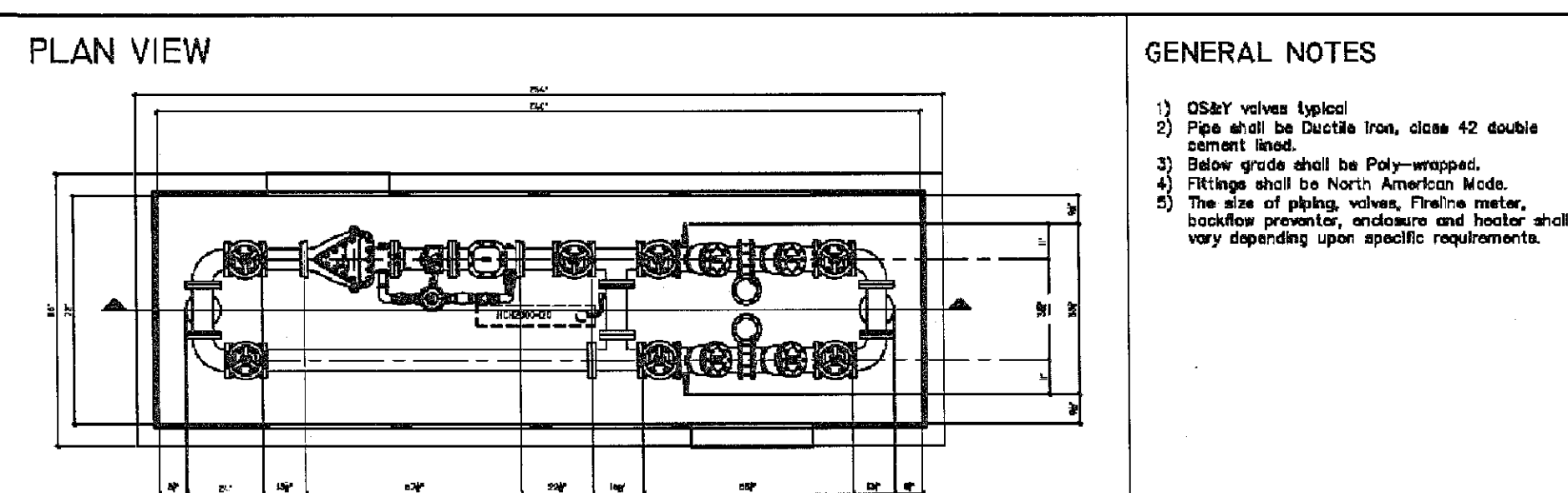
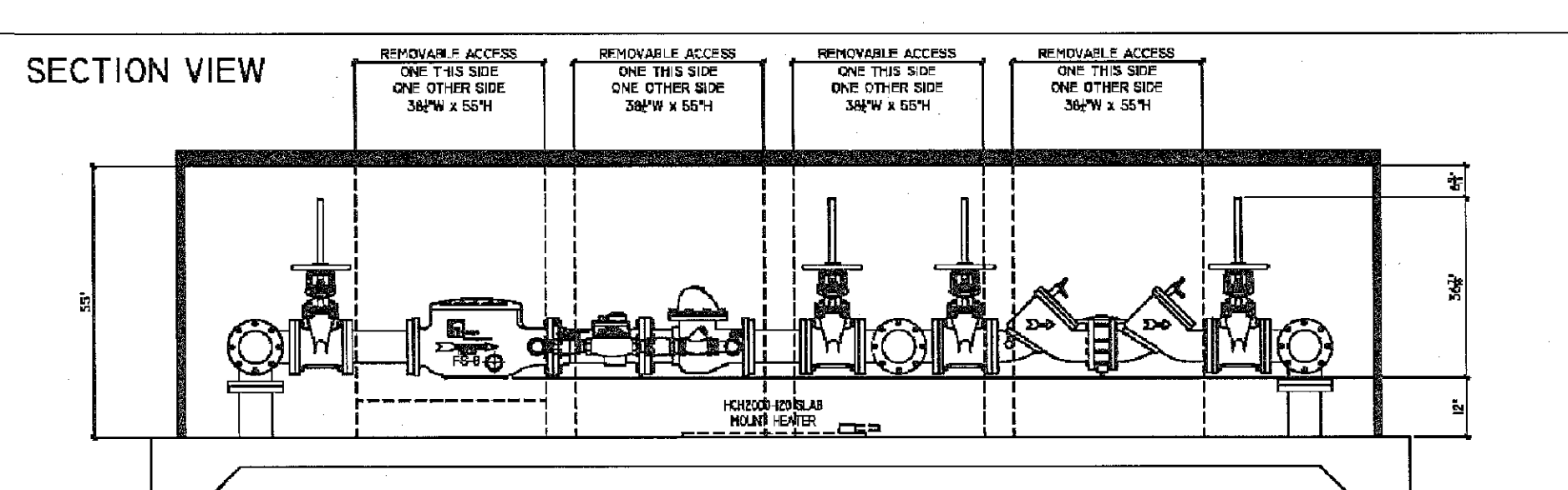
11 TYPICAL SECTION THROUGH "VERSA-LOK" RETAINING WALL  
NOT TO SCALE



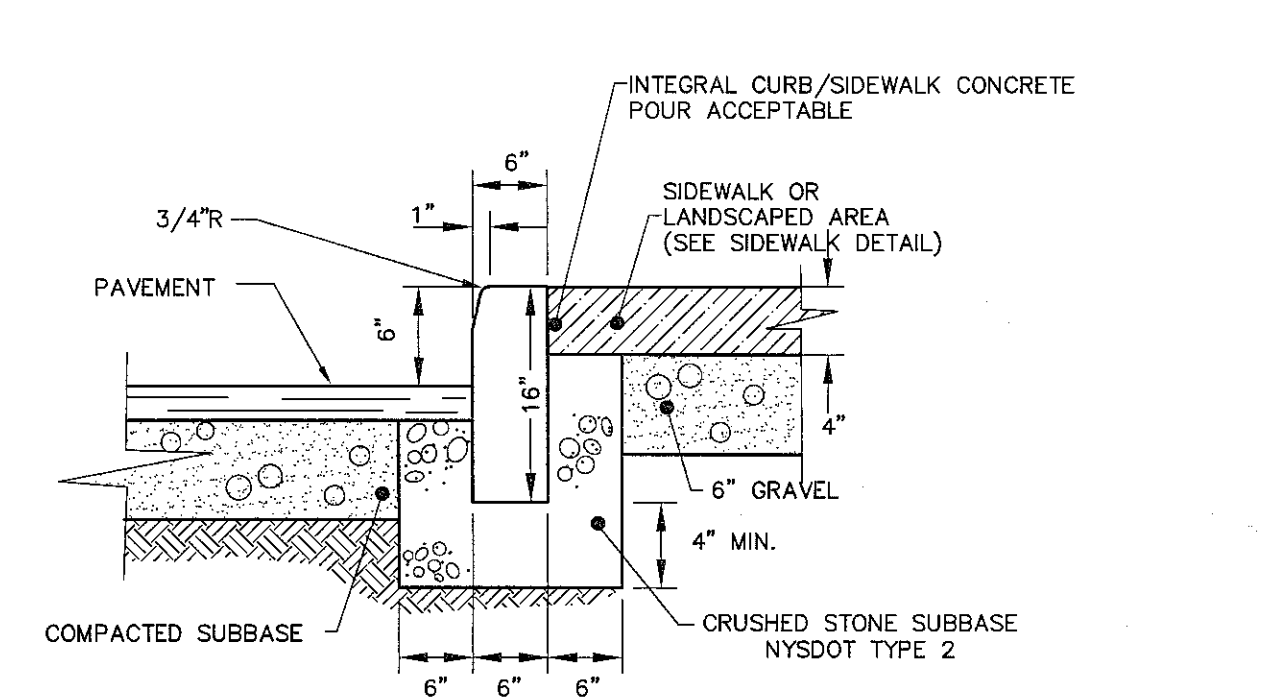
12 TYPICAL STREAM CROSSING CORRUGATED METAL PIPE W/ FLARED END SECTION  
NOT TO SCALE



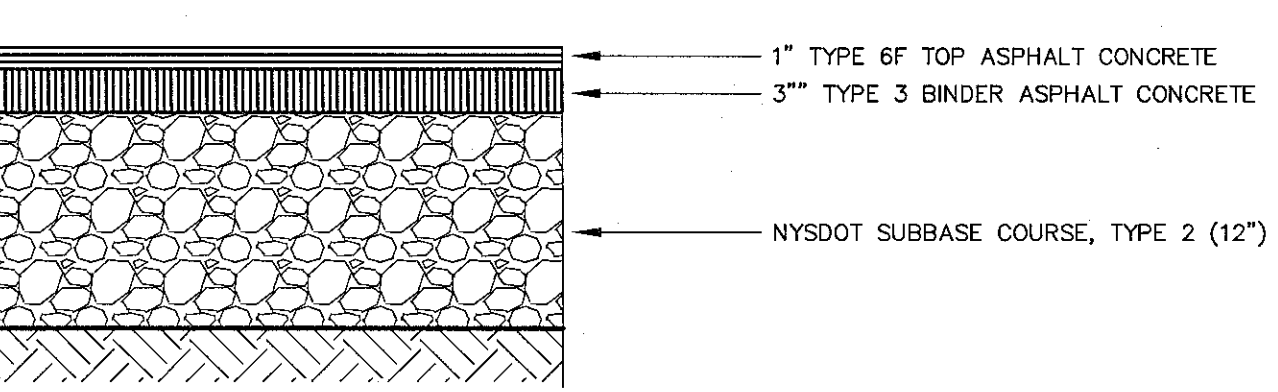
4 INTERSECTION DETAIL - ACCESS ROAD @ NEW SCOTLAND AVE  
1" = 15'



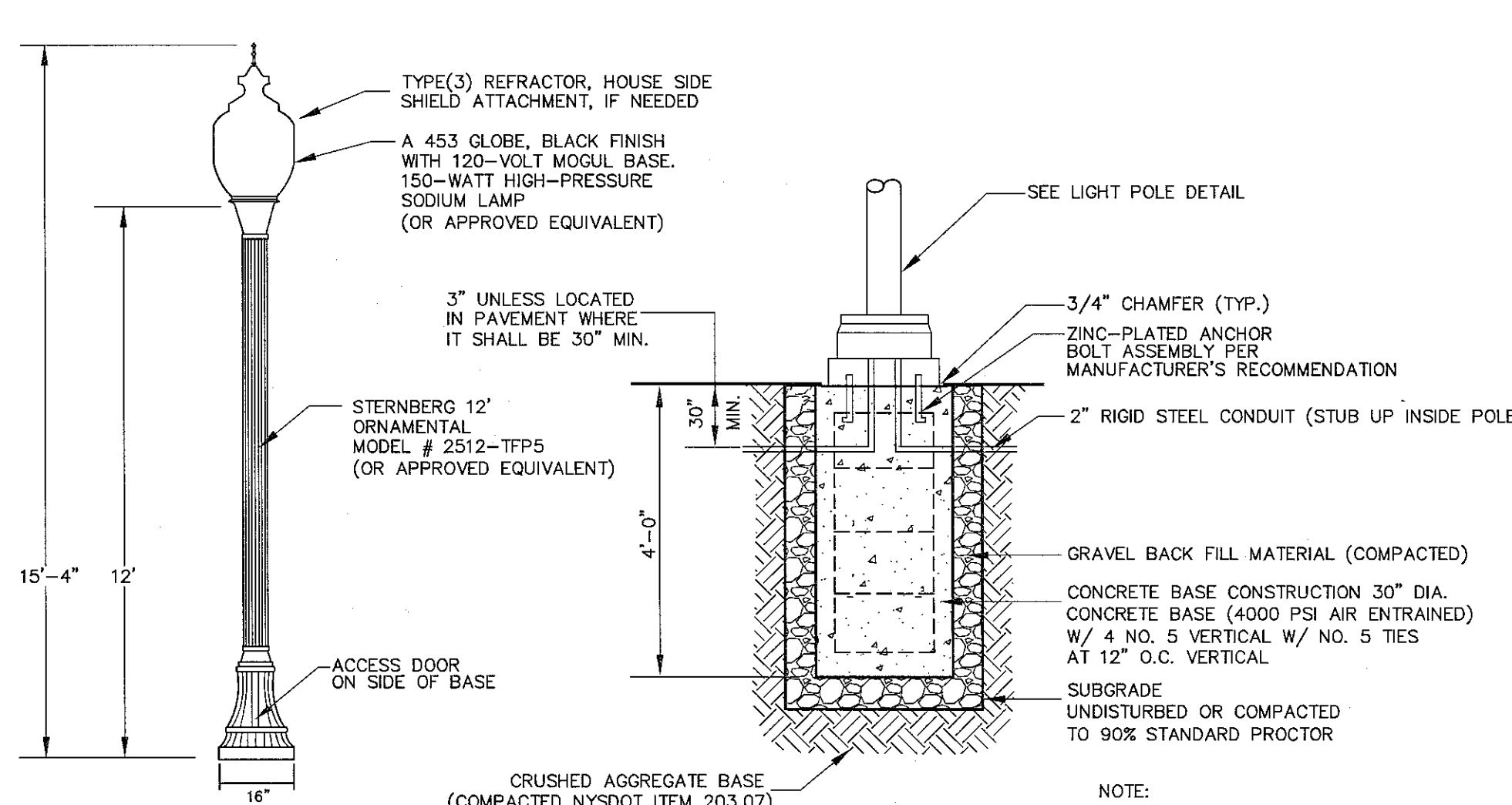
17 BACKFLOW PREVENTER ASSEMBLY  
NOT TO SCALE



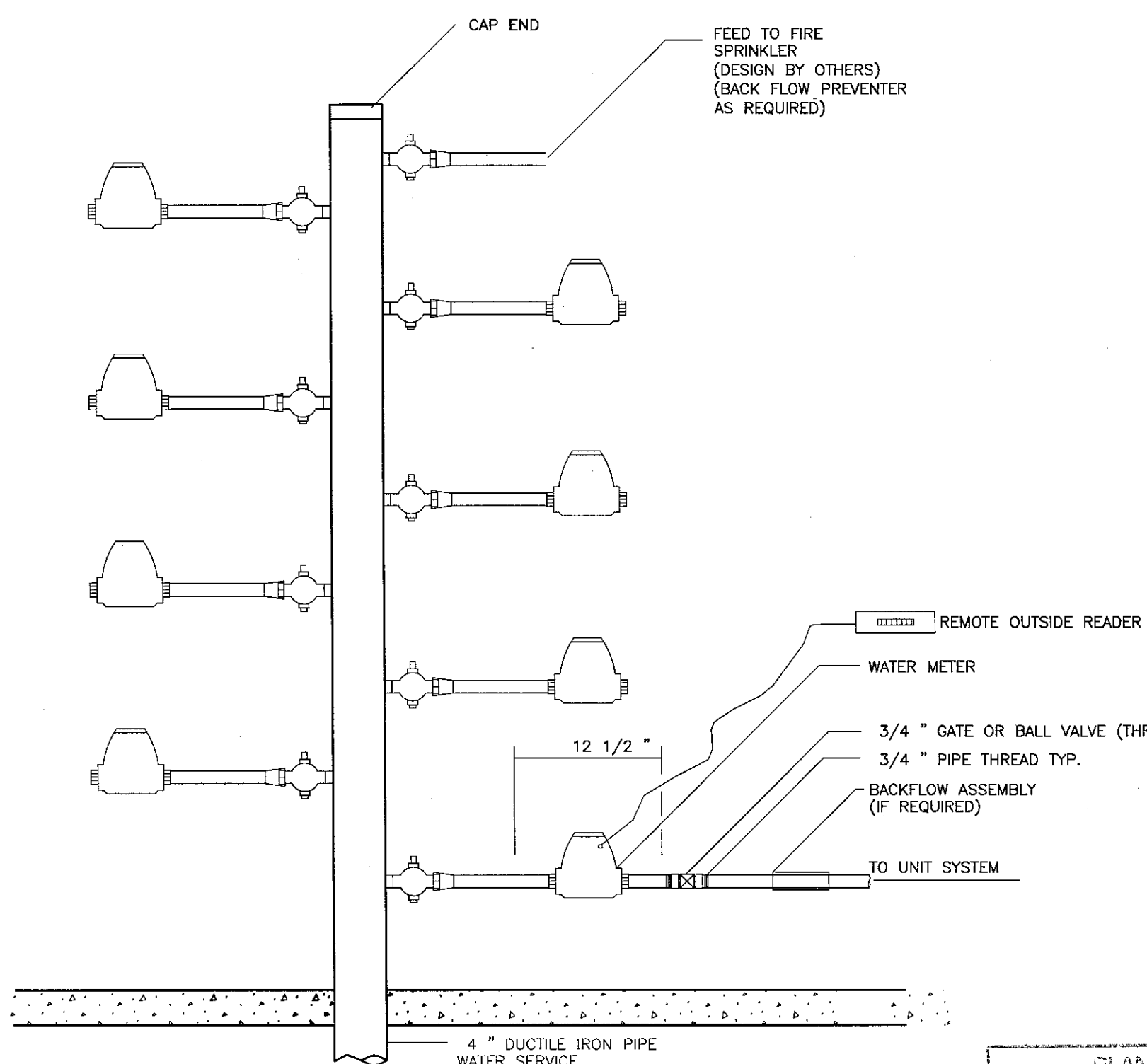
13 CONCRETE CURB DETAIL  
NOT TO SCALE



14 PAVEMENT DETAIL  
NOT TO SCALE  
MAIN ACCESS ROAD

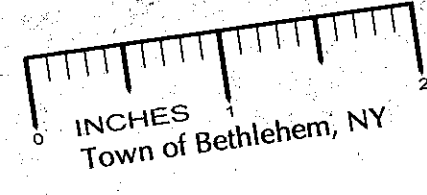


15 LIGHT FIXTURE AND POLE BASE DETAIL  
NOT TO SCALE



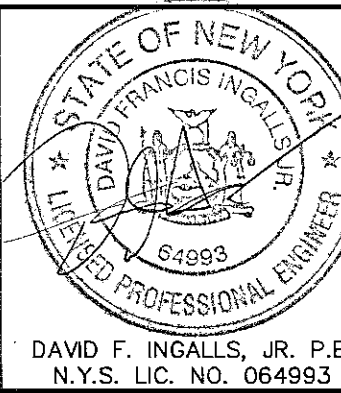
16 WATER SERVICE TO MULTI-UNIT BUILDING  
NO SCALE  
REFER TO ARCHITECTURAL DRAWINGS FOR UTILITY CLOSET LOCATION

NOTES  
ALL UTILITIES (PRIVATE & PUBLIC), INCLUDING FIRE HYDRANTS MUST MEET THE LATEST EDITION OF THE TOWN OF BETHLEHEM STANDARD DETAILS AND SPECIFICATIONS. PRIOR TO CONSTRUCTION, THE CONTRACTOR SHALL OBTAIN THESE TWO DOCUMENTS FOR USE ON THE JOB.



PLANNING BOARD APPROVAL  
TOWN OF BETHLEHEM  
ALBANY COUNTY, NEW YORK  
Date: May 1, 2012

UNAUTHORIZED ALTERATION OR ADDITION TO THIS DRAWING IS A VIOLATION OF SECTION 7209 SUBDIVISION 2, OF THE NEW YORK STATE EDUCATION LAW. ONLY COPIES MADE FROM THE ORIGINAL OF THIS DRAWING ARE VALID. ANY OTHER COPIES OR REPRODUCTIONS ARE VOID.		DATE: 05/01/2011		CHECKED BY: DTJ		SCALE: AS SHOWN	
NO.	DATE	REVISIONS	BY:	DRAWN BY: WMB		CADD FILE: PLOT	
1	08/07/11	REVISED PER TOWN COMMENTS	WMB	DATE: 05/01/2011		SCALE: AS SHOWN	
2	08/22/11	REVISED PER TOWN COMMENTS	WMB	DATE: 05/01/2011		SCALE: AS SHOWN	
3	10/05/11	REVISED PER TOWN COMMENTS	WMB	DATE: 05/01/2011		SCALE: AS SHOWN	
4	11/23/11	ISSUED FOR SIGNATURE	WMB	DATE: 05/01/2011		SCALE: AS SHOWN	
5	01/11/12	REVISED PER TOWN COMMENTS	WMB	DATE: 05/01/2011		SCALE: AS SHOWN	
6	02/02/12	REVISED BUILDING FOOTPRINT	WMB	DATE: 05/01/2011		SCALE: AS SHOWN	
7	03/13/12	REVISED GRADING CONTOURS AT INTERSECTION	WMB	DATE: 05/01/2011		SCALE: AS SHOWN	
8	03/23/12	REVISED SPOT GRADES AT INTERSECTION	WMB	DATE: 05/01/2011		SCALE: AS SHOWN	



ingalls & associates, LLP  
1000 CITTENDEN AVENUE  
SCHENECTADY, N.Y. 12306  
PHONE: (518) 399-2700  
FAX: (518) 399-2884

SITE DETAILS  
NEW SCOTLAND HAMLET  
LANDS OF WINDSOR DEVELOPMENT  
TOWN OF BETHLEHEM  
ALBANY COUNTY, NEW YORK  
STATE OF NEW YORK