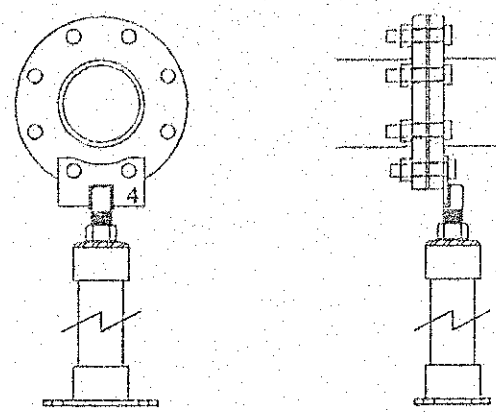
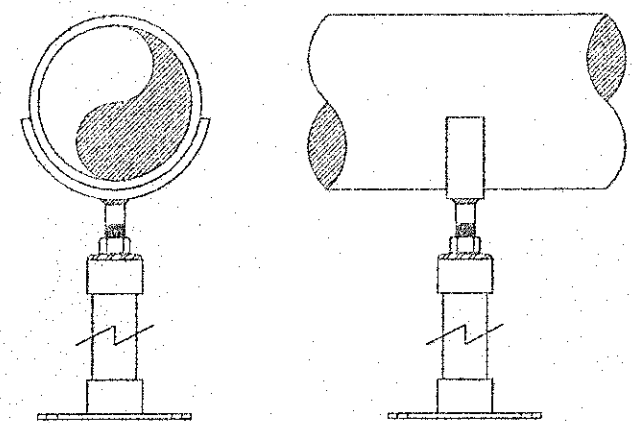


Flange supports are to be factory fabricated units. No contractor fabricated supports are allowed. Material to be A36 steel with a galvanized finish unless indicated otherwise in specifications. Support design shall have been tested to withstand a minimum of 10,000 pounds compressive load. Test certification must be available. Supports shall be STANDON MODEL S89 as manufactured by MATERIAL RESOURCES INC., FOREST GROVE, OR. 503-533-5256 p, 503-533-5501 f



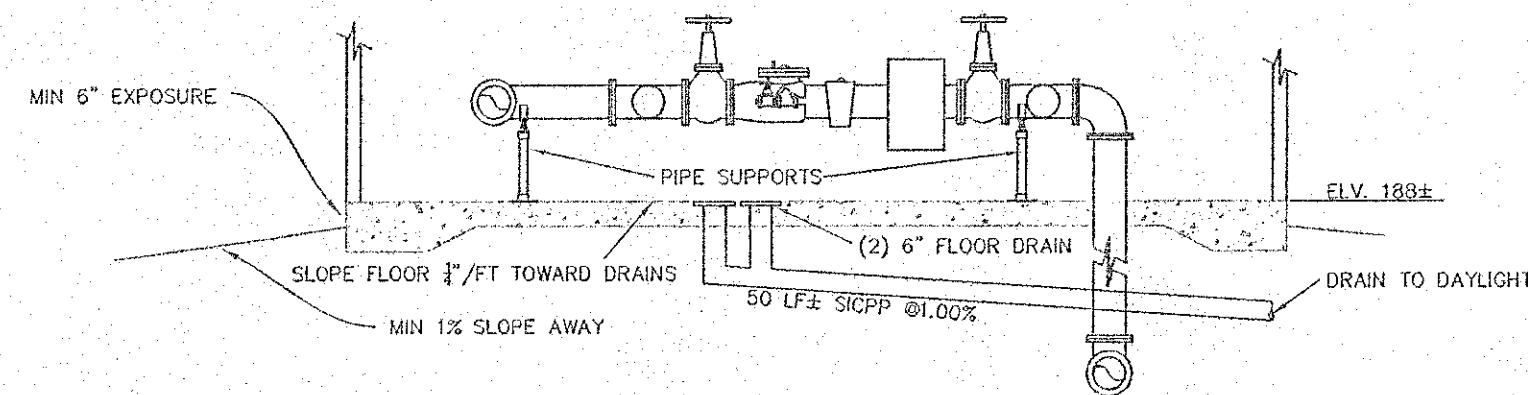
FLANGE SUPPORT DETAIL

Saddle supports are to be factory fabricated units. No contractor fabricated supports are allowed. Material to be A36 steel with a galvanized finish unless indicated otherwise in specifications. Saddle to encompass 170° of circumference for pipe sizes up to 24", and 120° for larger diameter's. Saddle is to be formed to actual pipe diameter. A neoprene liner is required when supporting steel or PVC pipe. Support design shall have been tested to withstand a minimum of 16,000 pounds compressive load. Test certification must be available. Supports shall be STANDON MODEL S92 as manufactured by MATERIAL RESOURCES INC., FOREST GROVE, OR. 503-533-5256p, 503-533-5501f



PIPE SADDLE SUPPORT DETAIL

TYPICAL PIPE SUPPORT DETAIL  
SCALE: NONE



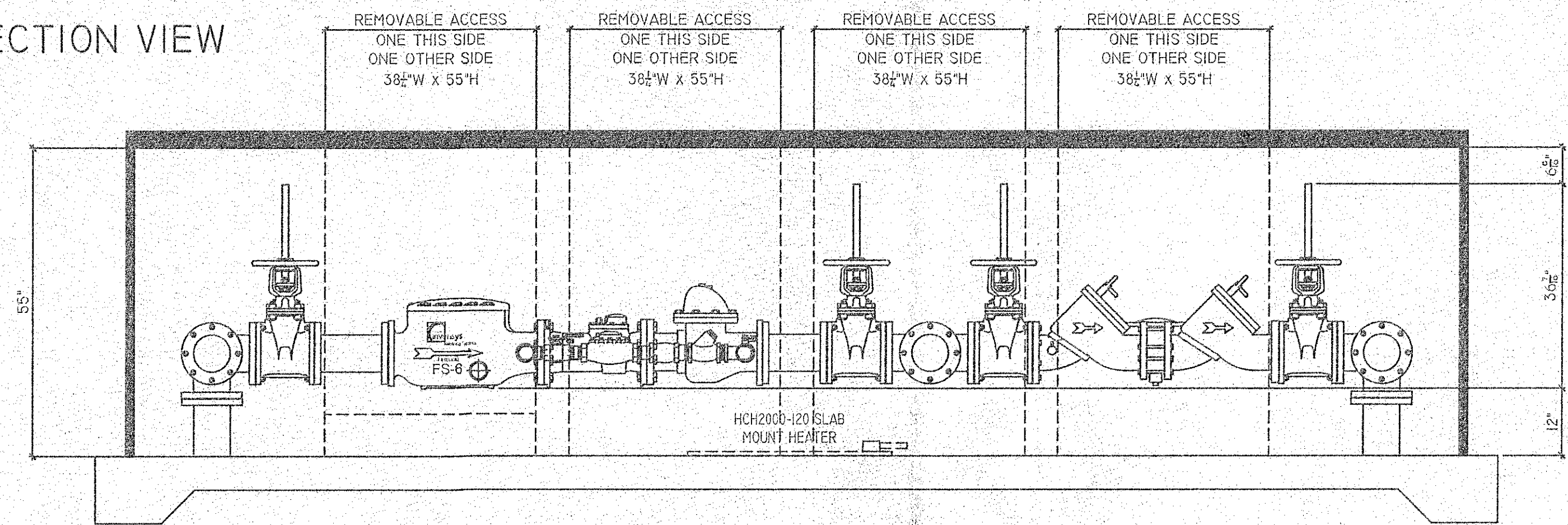
SUPPLEMENTAL CONSTRUCTION NOTES:

- MINIMUM CONCRETE SLAB EXPOSURE SHALL BE 6" ABOVE GRADE. MINIMUM SLAB EDGE THICKNESS SHALL BE 12" UNLESS FROST WALLS ARE POURED.

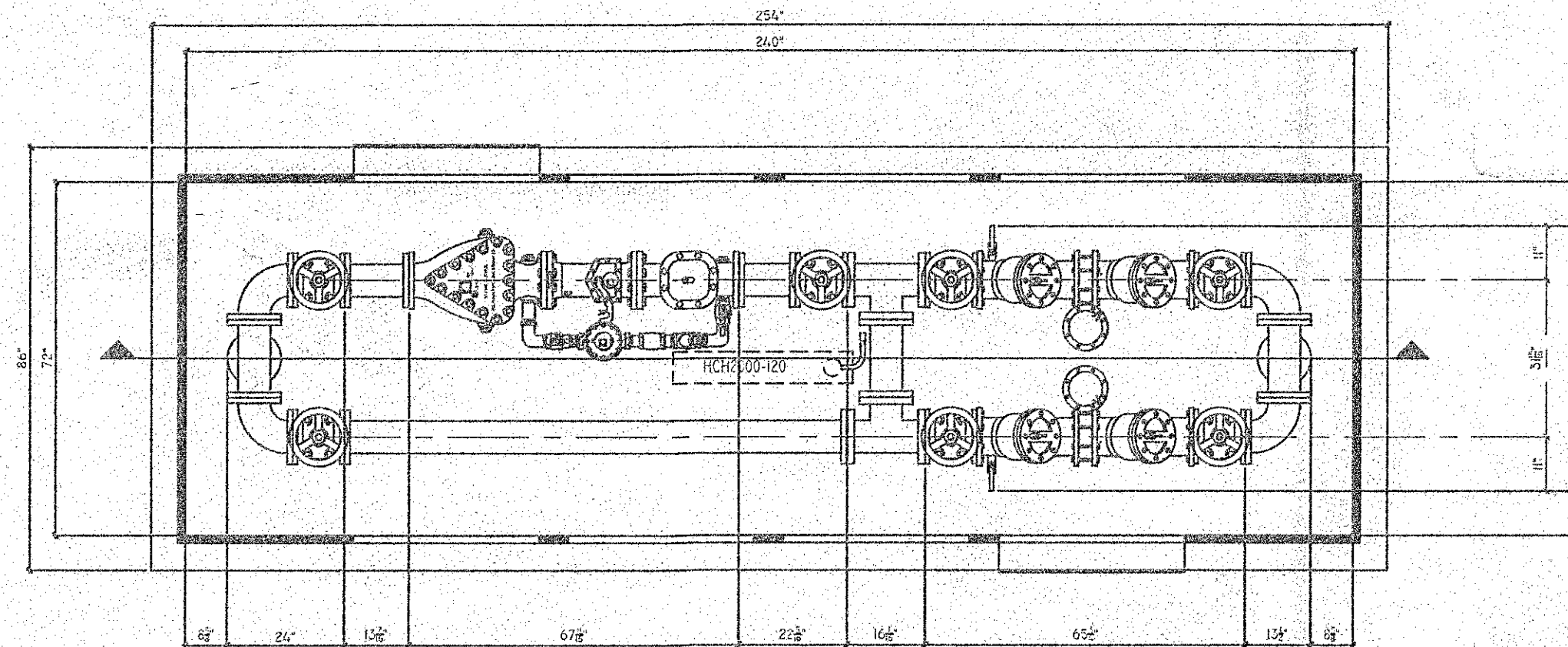
BFP ENCLOSURE TYPICAL SECTION  
NOT TO SCALE

TOWN OF BETHLEHEM PLANNING BOARD

SECTION VIEW



PLAN VIEW



GENERAL NOTES

- OS&Y valves typical
- Pipe shall be Ductile iron, class 42 double cement lined.
- Below grade shall be Poly-wrapped.
- Fittings shall be North American Made.
- The size of piping, valves, Fireline meter, backflow preventer, enclosure and heater shall vary depending upon specific requirements.
- BFP-Dual 6" Watts 909 OS&Y w/ 6" Sensus Omni Fireline F2 Meter w/ Strainer

- DRAWING NOT TO SCALE.
- BFP DIMENSIONS FURNISHED BY
- ALL DIMENSIONS ARE IN INCHES.
- WALL AND INSULATION THICKNESS IS 1-1/2".
- ROOF AND INSULATION THICKNESS IS 3".

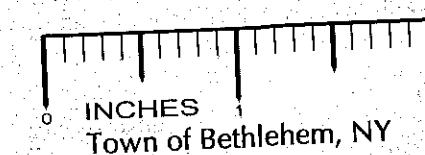
- MODEL 1000DS-ALC02-3 ENCLOSURE
- ENCLOSURE INSIDE DIMENSIONS:  
72"W X 240"L X 55"H
- CONCRETE PAD IS 86"W X 254"L
- BFP-DUAL 6" WATTS 909 OS&Y W/ 6" SENSUS OMNI FIRELINE F2 METER W/ STRAINER

D6WA9090SY-6MTR-SI2.DWG

SHEET 1 OF 1

TOWN STANDARD "HOTBOX" DETAIL  
SCALE: NONE

Town of Bethlehem Planning Board  
By direction of the Chairman  
these plans are hereby approved.  
See first sheet for date & signature.



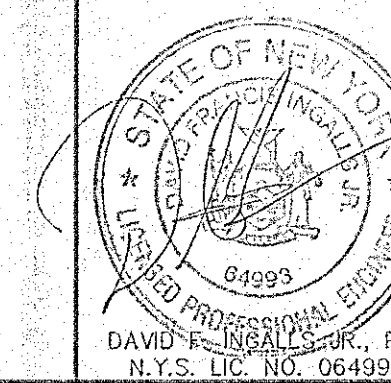
ALBANY COUNTY DEPARTMENT OF HEALTH  
DIVISION OF ENVIRONMENTAL HEALTH SERVICES

By direction of the Commissioner of Health, these plans are hereby approved. See first sheet for date and signature.

NO.	DATE	REVISIONS	BY
2	9/27/12	FINAL SUBMISSION	PJY
1	8/24/12	FINAL SUBMISSION	PJY

UNAUTHORIZED ALTERATION OR ADDITION TO THIS DRAWING IS A VIOLATION OF SECTION 7209 SUBDIVISION 2, OF THE NEW YORK STATE EDUCATION LAW. ONLY COPIES MADE FROM THE ORIGINAL OF THIS DRAWING BEARING AN ORIGINAL INKED OR EMBOSSED SEAL AND SIGNATURE SHALL BE CONSIDERED TO BE VALID TRUE COPIES.

© Copyright 2011 - Ingalls & Associates, LLP - All rights reserved



**ingalls**  
ingalls & associates, LLP  
engineers / surveyors  
2600 GUILDFORD AVENUE  
SCHENECTADY, N.Y. 12309  
PHONE: (518) 393-7725  
FAX: (518) 393-2394

**HOTBOX DETAIL**  
32 UNIT MULTI-FAMILY DEVELOPMENT  
605 FEURA BUSH ROAD  
TOWN OF BETHLEHEM  
COUNTY OF ALBANY STATE OF NEW YORK  
DATE: JUNE 14, 2012  
CHECKED BY: D.F.I.  
JOB NO. 11-090  
DRAWN BY: P.J.Y.  
CAUD FILE: 110900F  
SCALE: NTS  
SHEET 12 OF 12