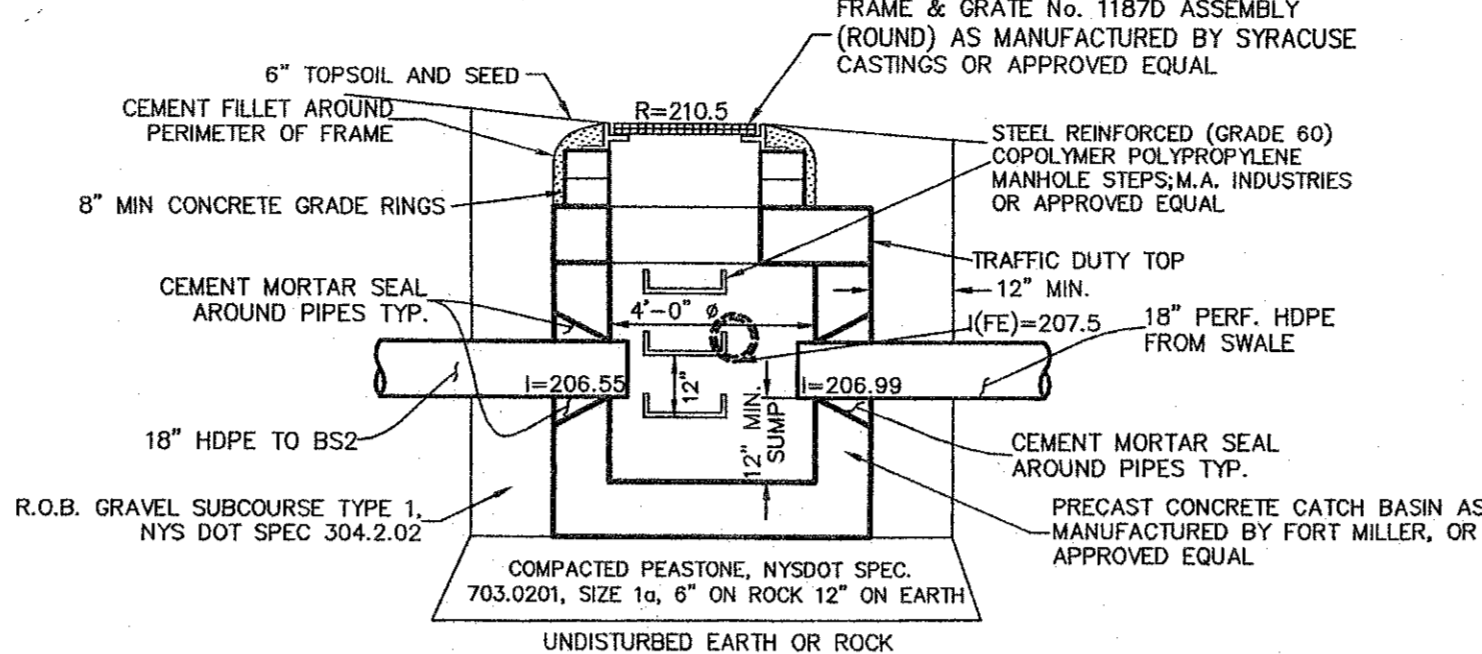
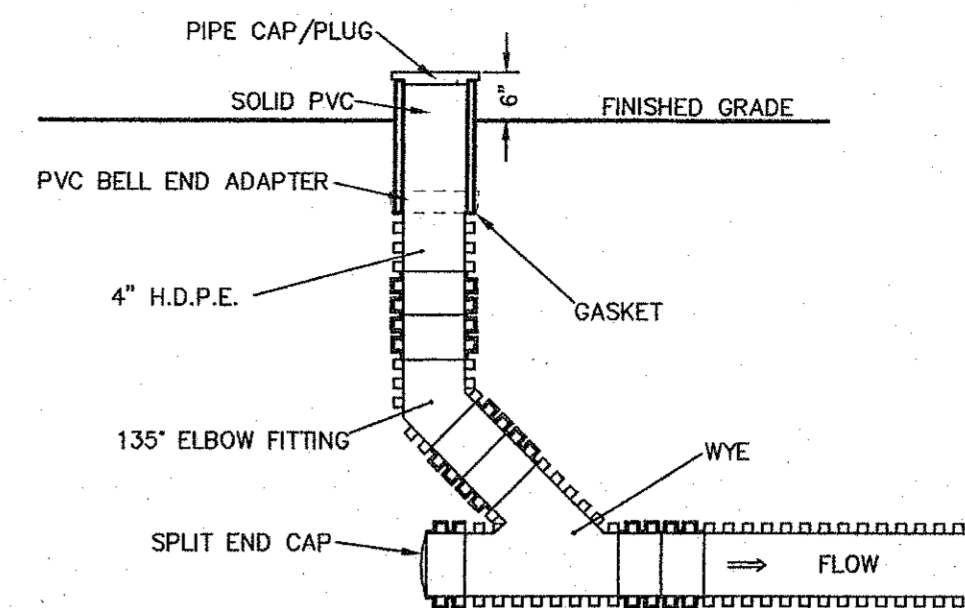


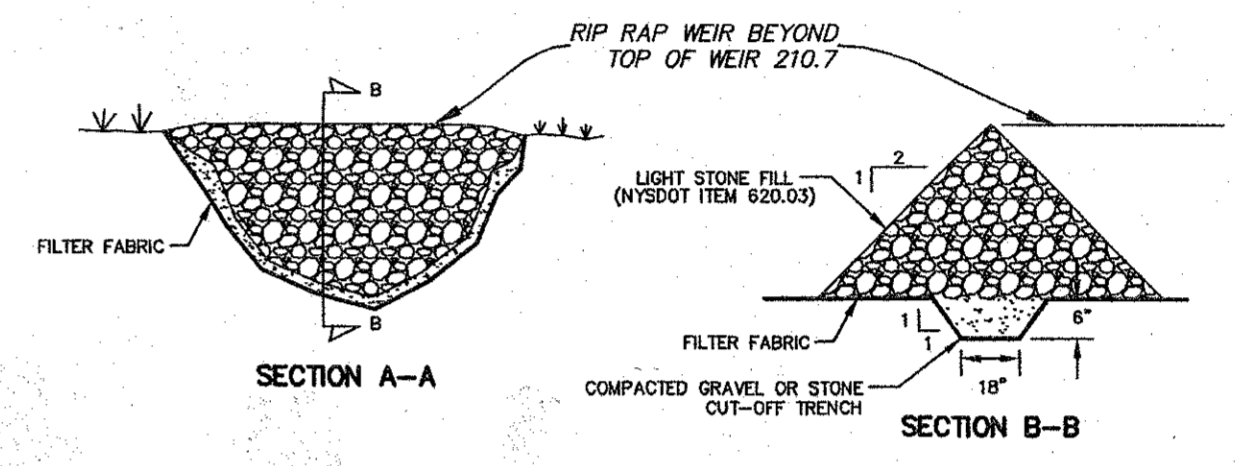
**DRY SWALE No. 1 SECTION DETAIL**  
NOT TO SCALE



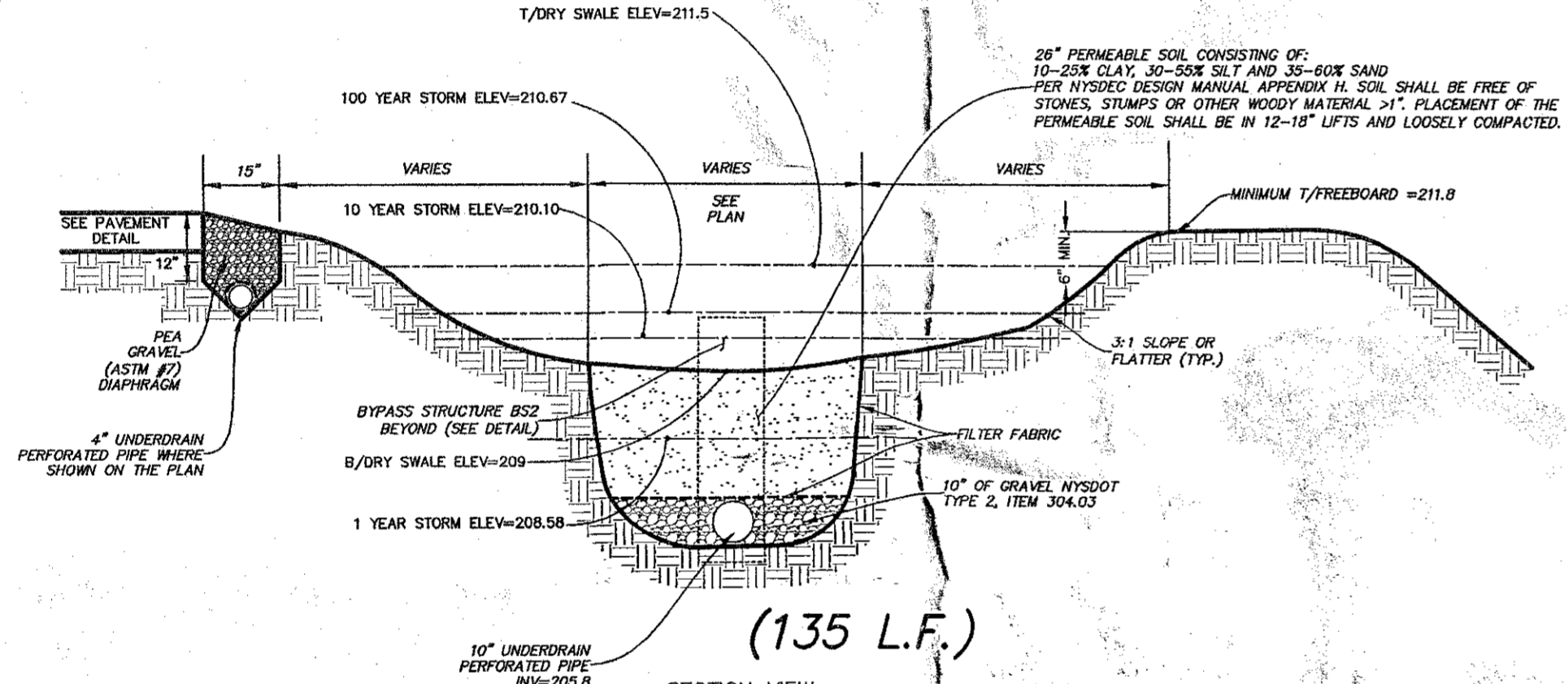
**BYPASS STRUCTURE (CB2) DETAIL**  
NOT TO SCALE



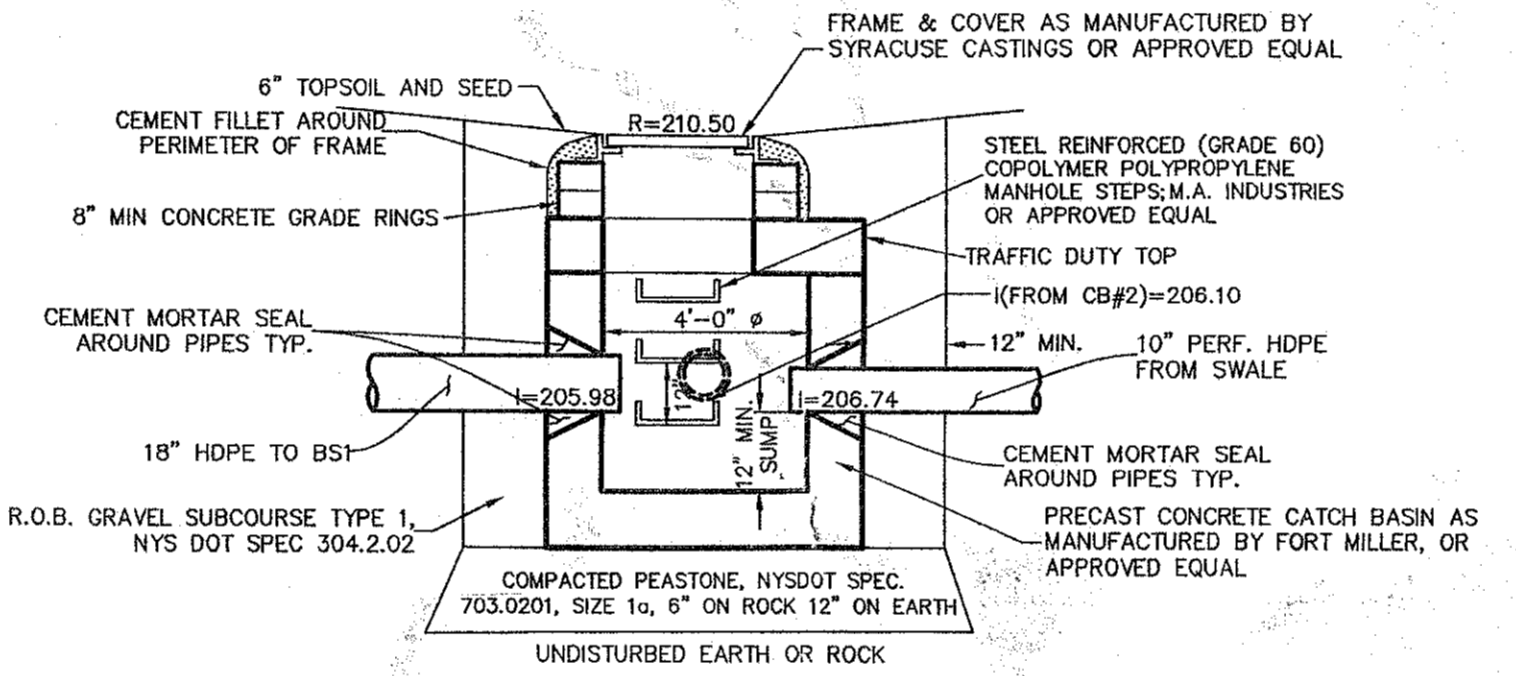
**CLEANOUT DETAIL (LOCATED WITHIN DRY SWALES)**  
NOT TO SCALE



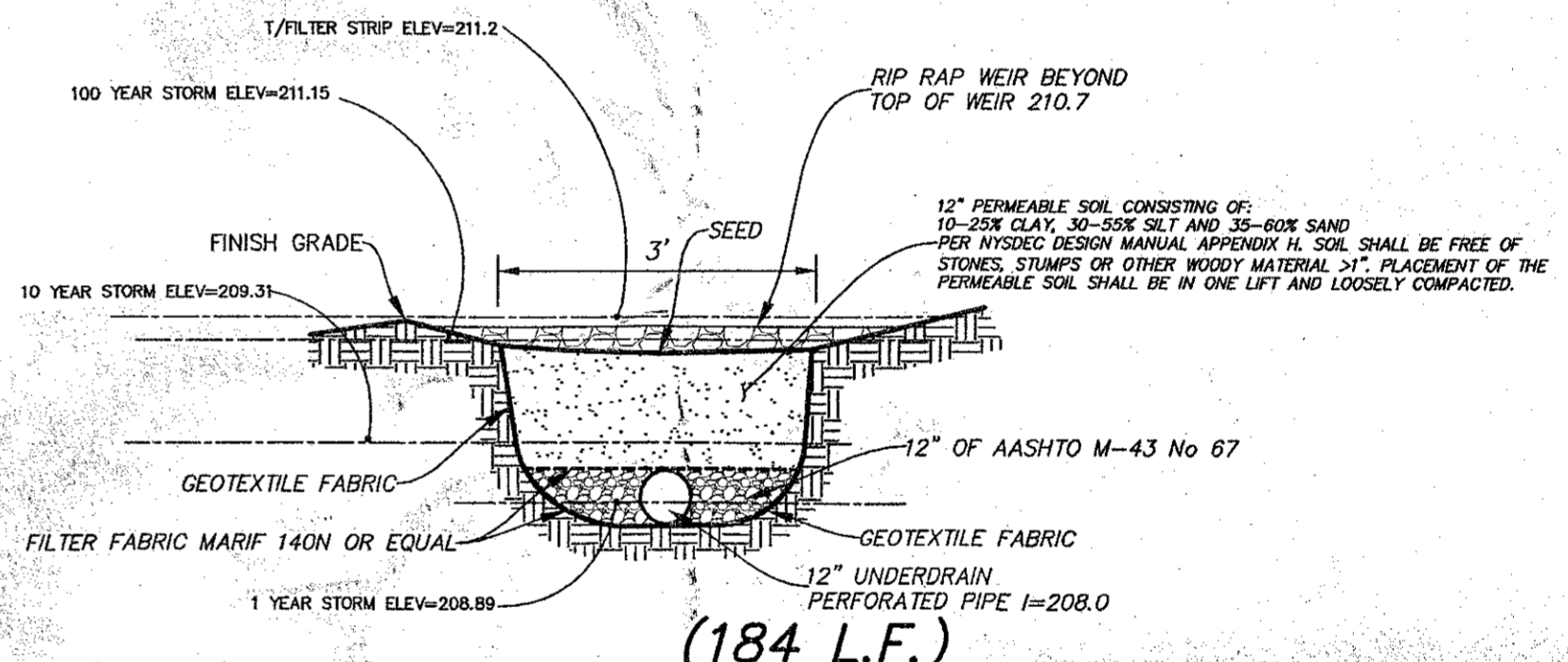
**RIP RAP WEIR DETAIL**  
NOT TO SCALE



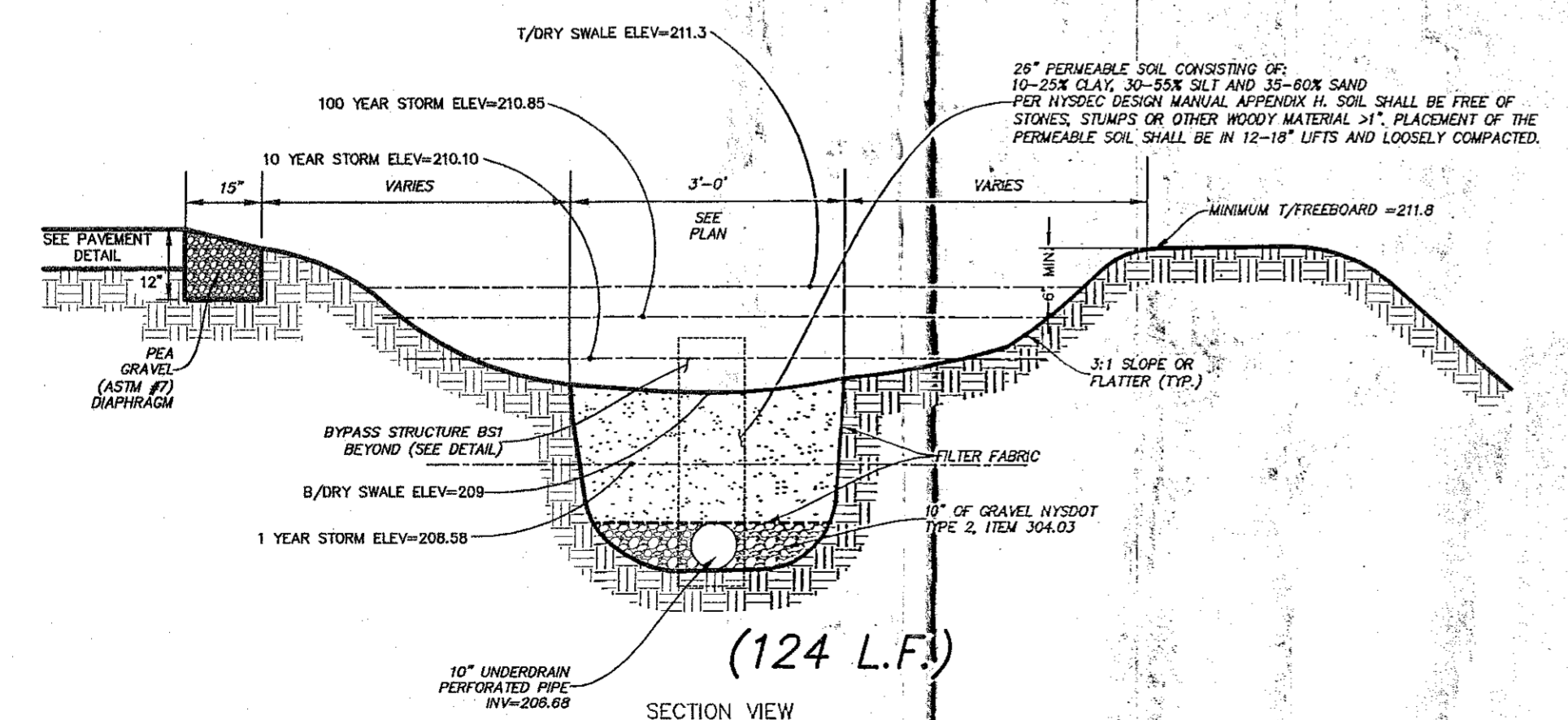
**DRY SWALE No. 2 SECTION DETAIL**  
NOT TO SCALE



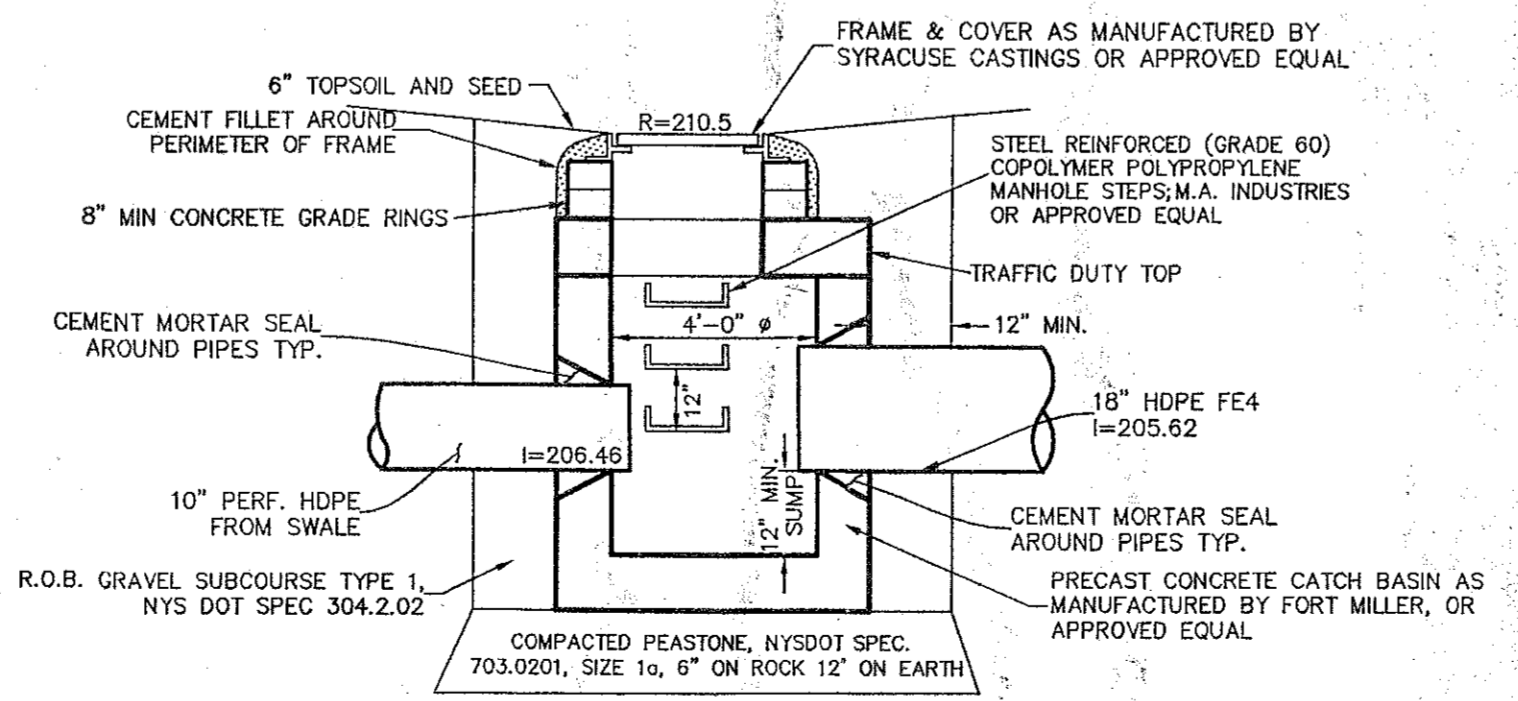
**BYPASS STRUCTURE (BS2) DETAIL**  
NOT TO SCALE



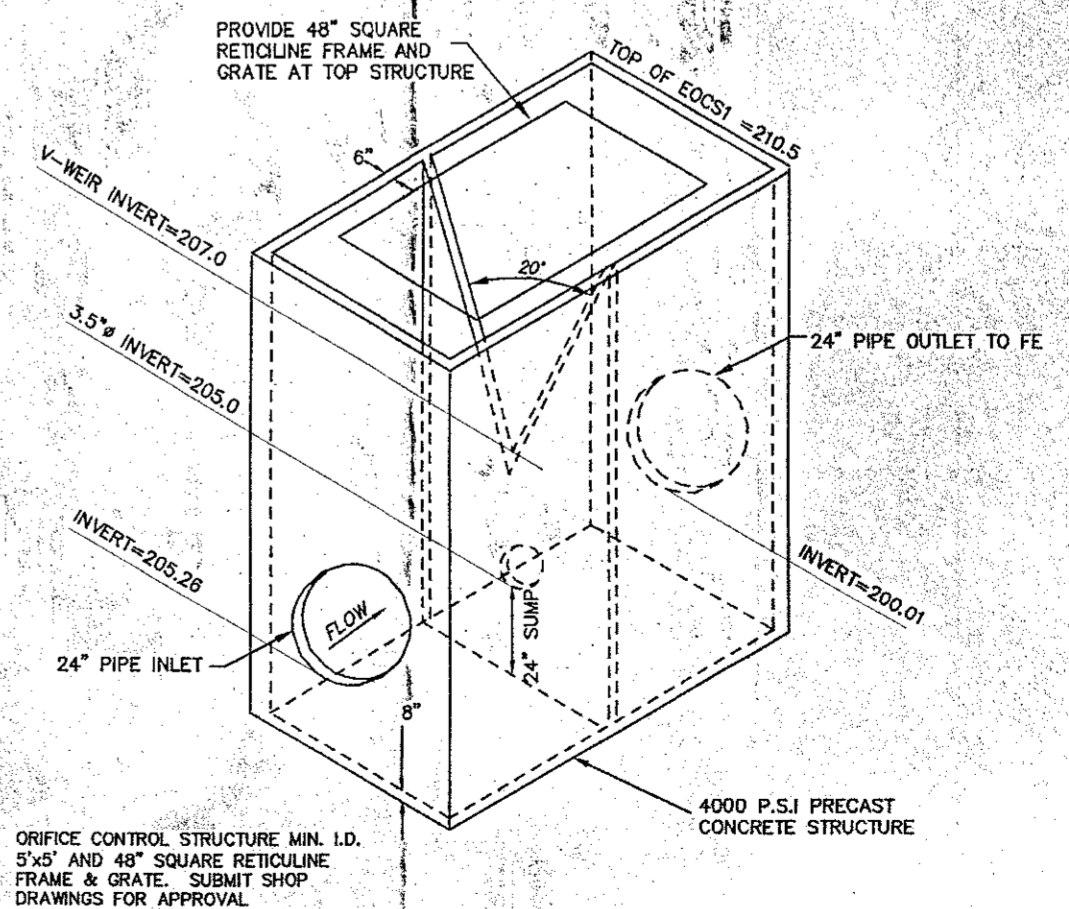
**FILTER STRIP DETAIL**  
NOT TO SCALE



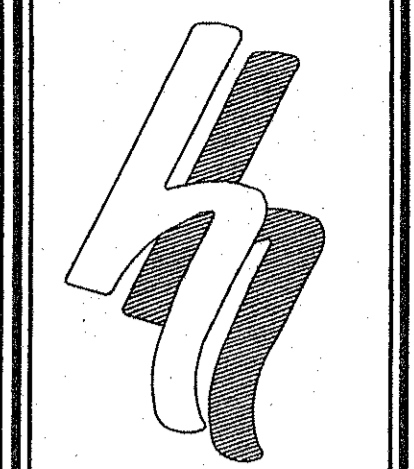
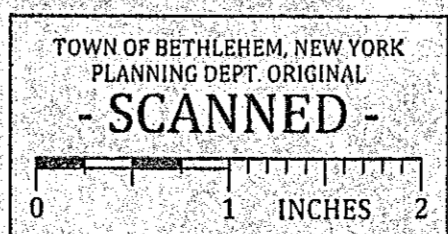
**DRY SWALE No. 3 SECTION DETAIL**  
NOT TO SCALE



**BYPASS STRUCTURE 1 (BS1) DETAIL**  
NOT TO SCALE

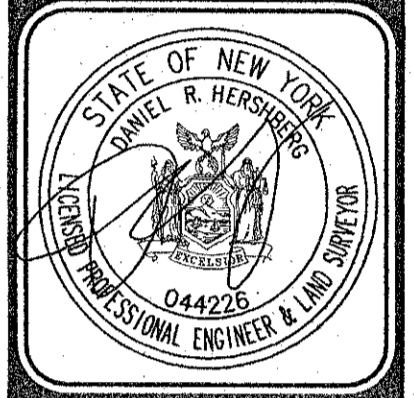


**EMERGENCY OVERFLOW & ORIFICE CONTROL STRUCTURE (EOS1) DETAIL**  
NOT TO SCALE



**HERSHBERG & HERSHBERG**  
Consulting Engineers and Land Surveyors  
18 Locust Street  
Albany, New York 12203

ALTERATION OF THIS DOCUMENT EXCEPT BY A LICENSED PROFESSIONAL ENGINEER OR LAND SURVEYOR, IS ILLEGAL.



REVISIONS	DATE	REMARKS
COMMENT LETTER 1-9-15	1/28/15	
PLANNING BOARD COMMENTS	2/9/15	
RESPONSE TO COMMENTS	2/25/15	
RESPONSE TO COMMENTS	3/2/15	
RESPONSE TO COMMENTS	3/12/15	
RESPONSE TO COMMENTS	3/13/15	
RESPONSE TO COMMENTS	4/2/15	

STORMWATER POLLUTION PREVENTION PLAN DETAILS FOR No. 85 VISTA BOULEVARD  
VISTA TECHNOLOGY CAMPUS  
TOWN OF BETHLEHEM  
ALBANY COUNTY, STATE OF NEW YORK

FILE: 140067  
SCALE: AS NOTED  
DATE: 10/28/14  
CHK: DRH  
BY: WM