

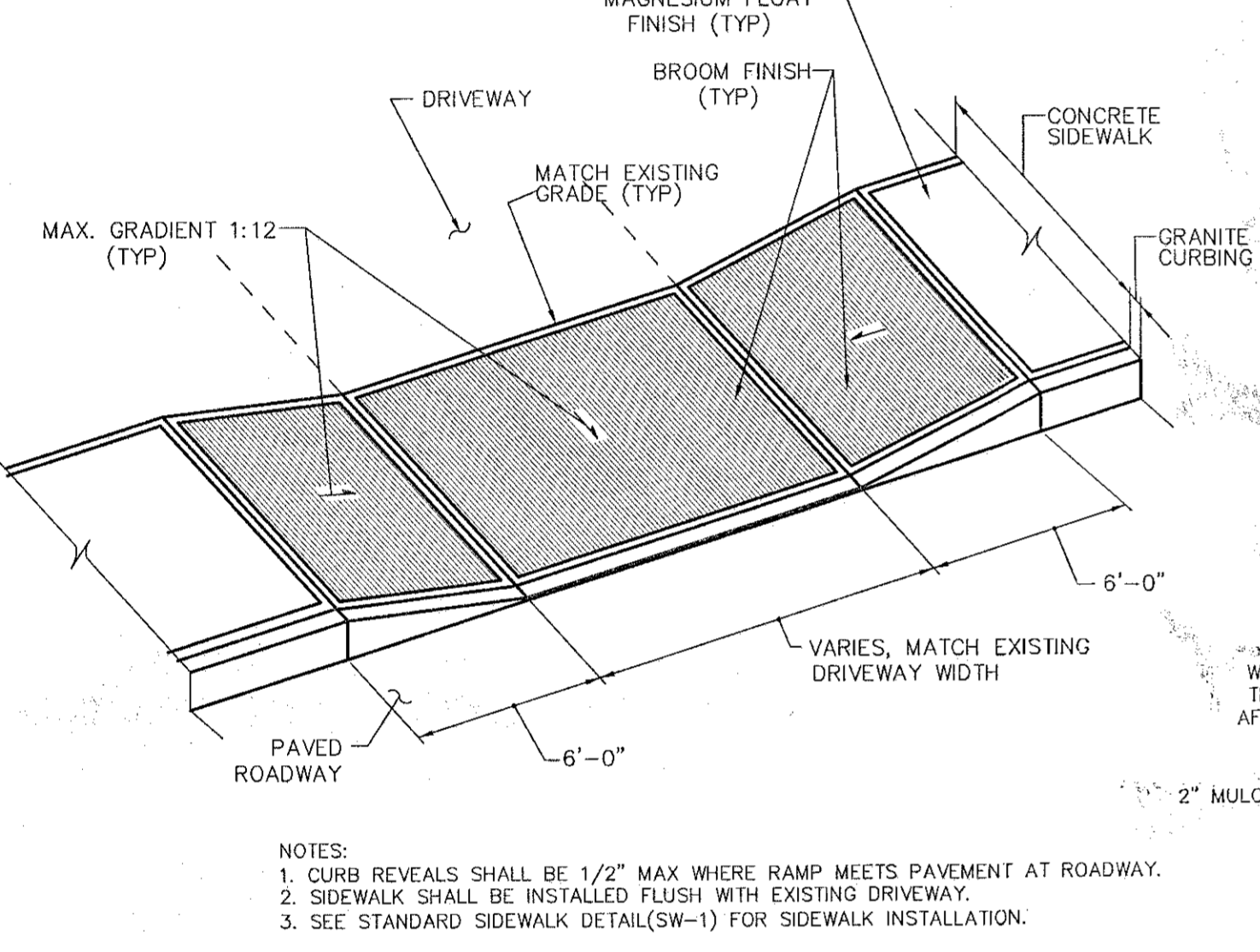
NOTE:
 1. CROSS SLOPES SHALL BE A MINIMUM OF 2% AWAY FROM THE BUILDING OR TOWARD A CATCH BASIN.
 2. PROVIDE A MEDIUM BROOM FINISH.

CONCRETE WALK DETAIL
 NOT TO SCALE

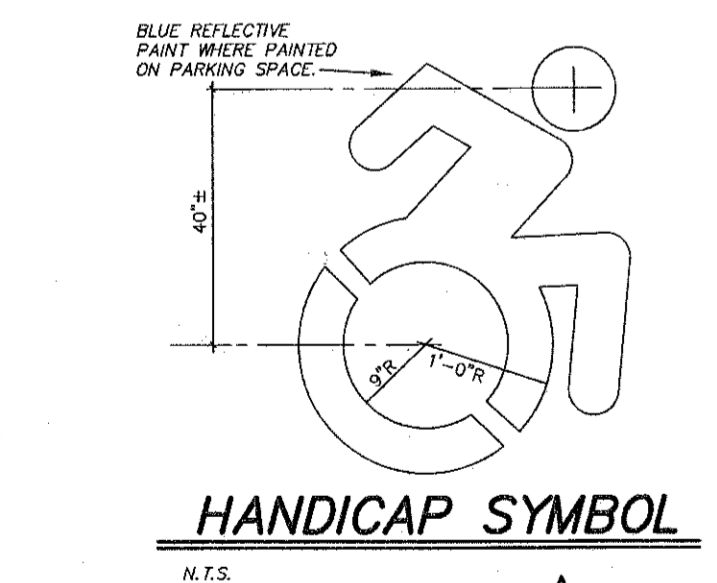


TRAIL MAINTENANCE NOTES:
 Vista Technology Campus Nature Trail Maintenance Plan
 Constructed portions of the trail will be located in an easement in the name of Vista Development Group.
 Vista Development Group will be responsible for the development and maintenance of all approved trail segments.
 Signage will include trail markers and trail head signs that will provide general direction and location of trails and trail heads.
 The trail will generally be constructed of a five foot wide three inch deep section of wood chip material. Section of the trail may be constructed from other materials.
 Where practicable a two foot wide natural buffer will be established and maintained as needed. Maintenance will take place between April 1st - November 15th.

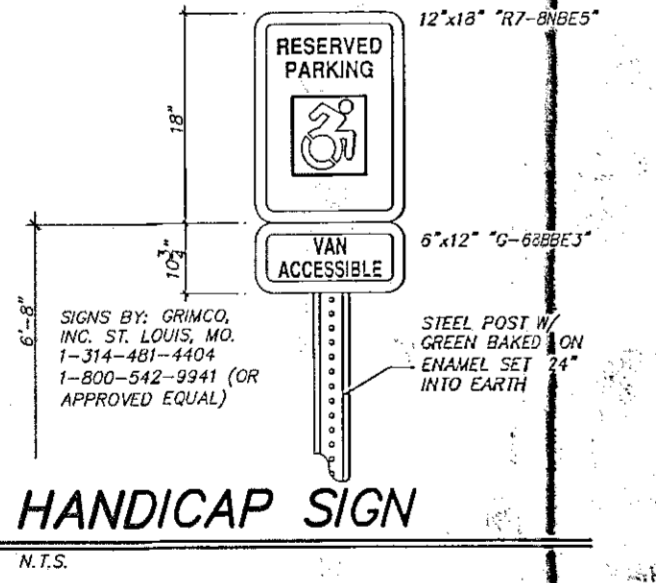
NATURE TRAIL DETAIL
 NOT TO SCALE



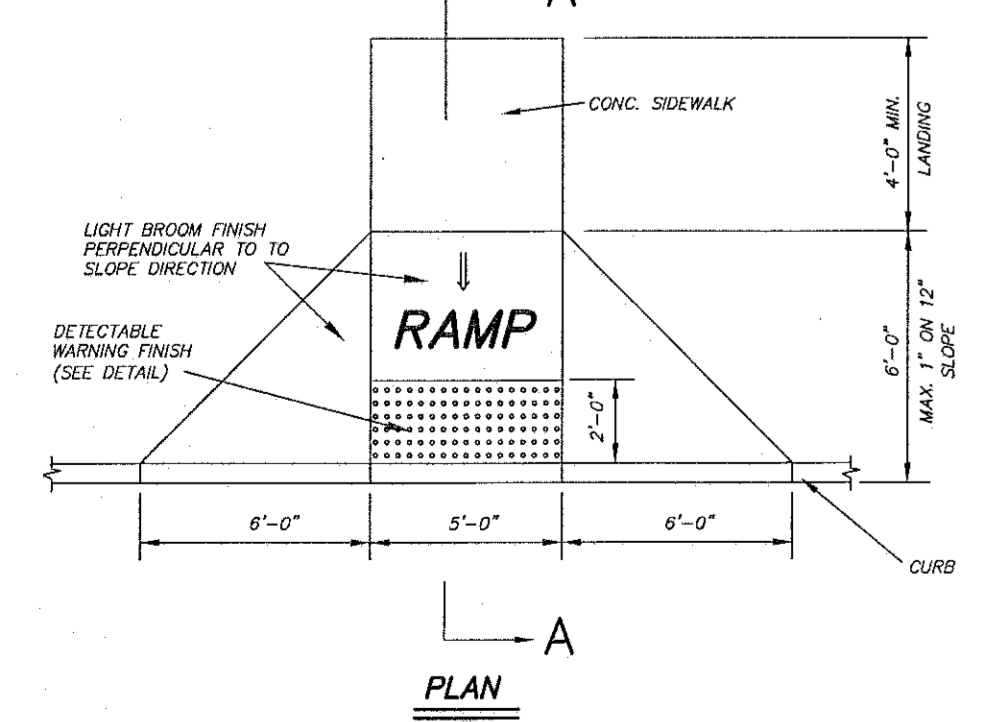
SIDEWALK DROP CURB & RAMP DETAIL (DW-2)
 NOT TO SCALE



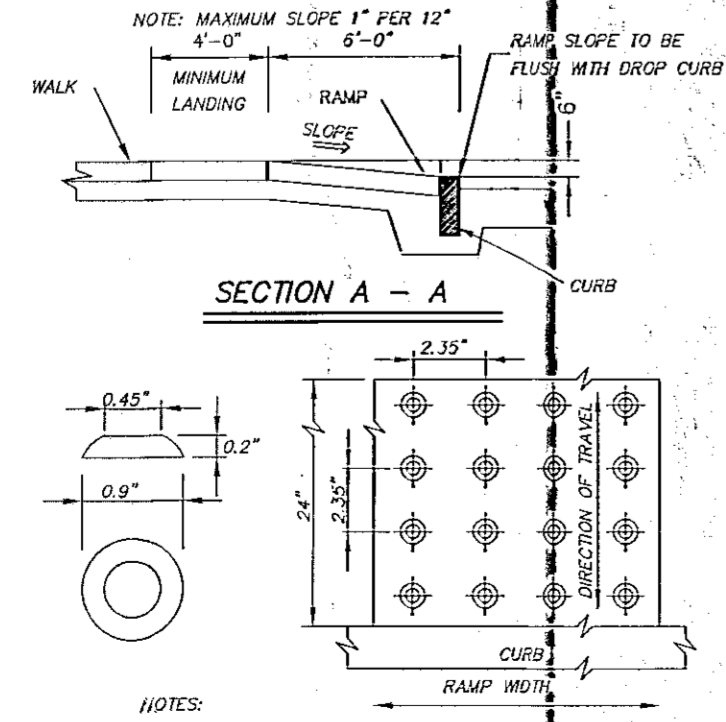
HANDICAP SYMBOL
 N.T.S.



HANDICAP SIGN
 N.T.S.

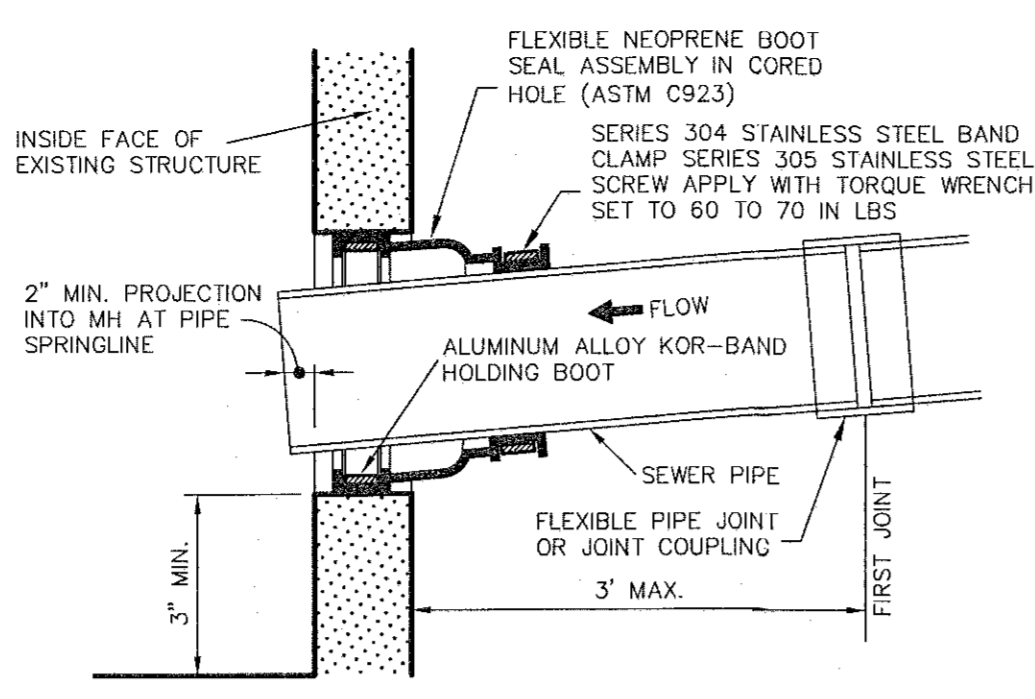


SIDEWALK DROP CURB & RAMP DETAIL (DW-1)
 NOT TO SCALE

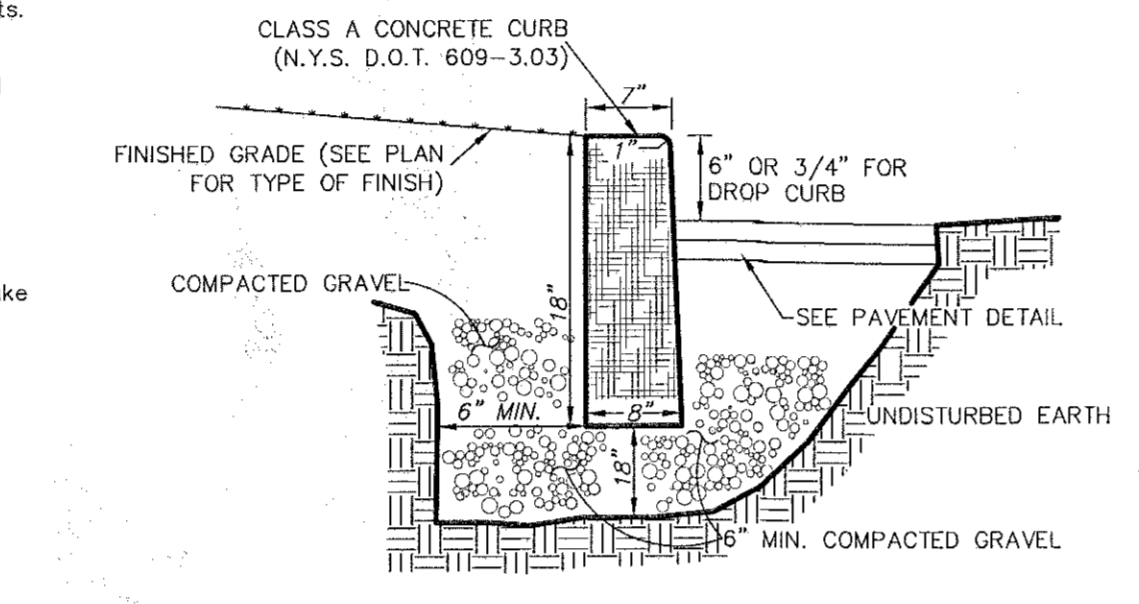


NOTES:
 1. CONFORM TO ALL ADA REGULATIONS.
 2. CONFORM TO STATE OF NEW YORK DEPARTMENT OF TRANSPORTATION MAPS ENTITLED 'SIDEWALK CURB RAMP DETAILS, W/100-302' AND 'DETECTABLE WARNING DETAILS, W/100B-SR1'.

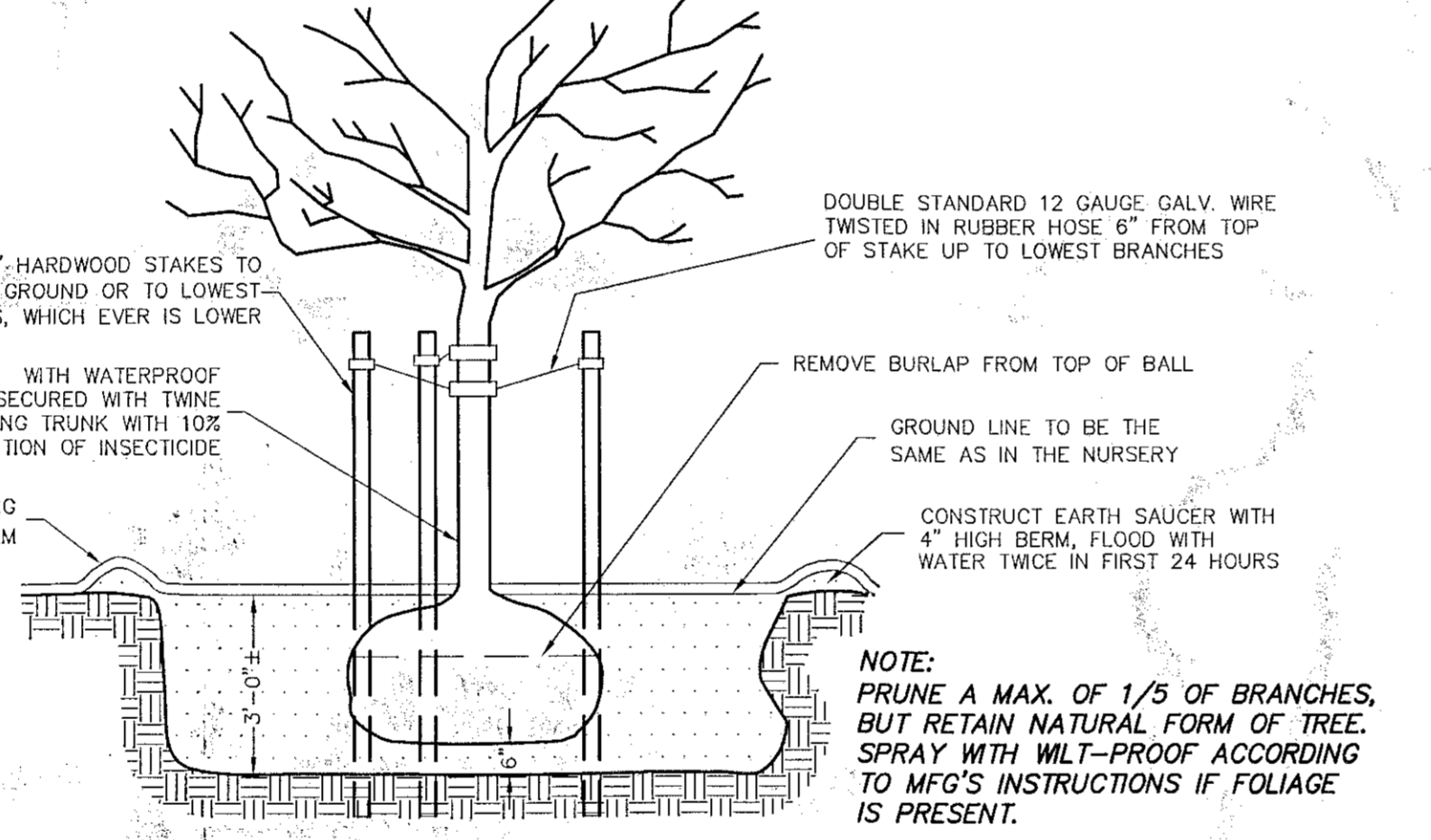
DETECTABLE WARNING SURFACE DETAIL



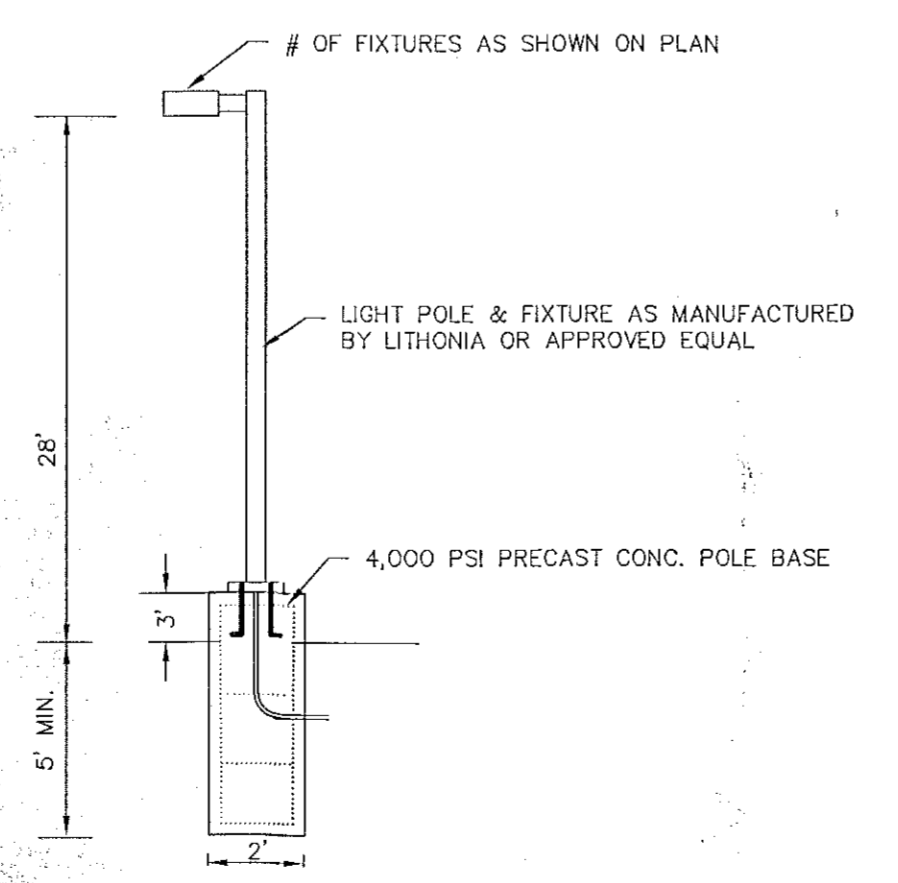
CORED IN FIELD CONNECTION
 NOT TO SCALE



CAST IN PLACE CONCRETE CURB DETAIL
 NOT TO SCALE

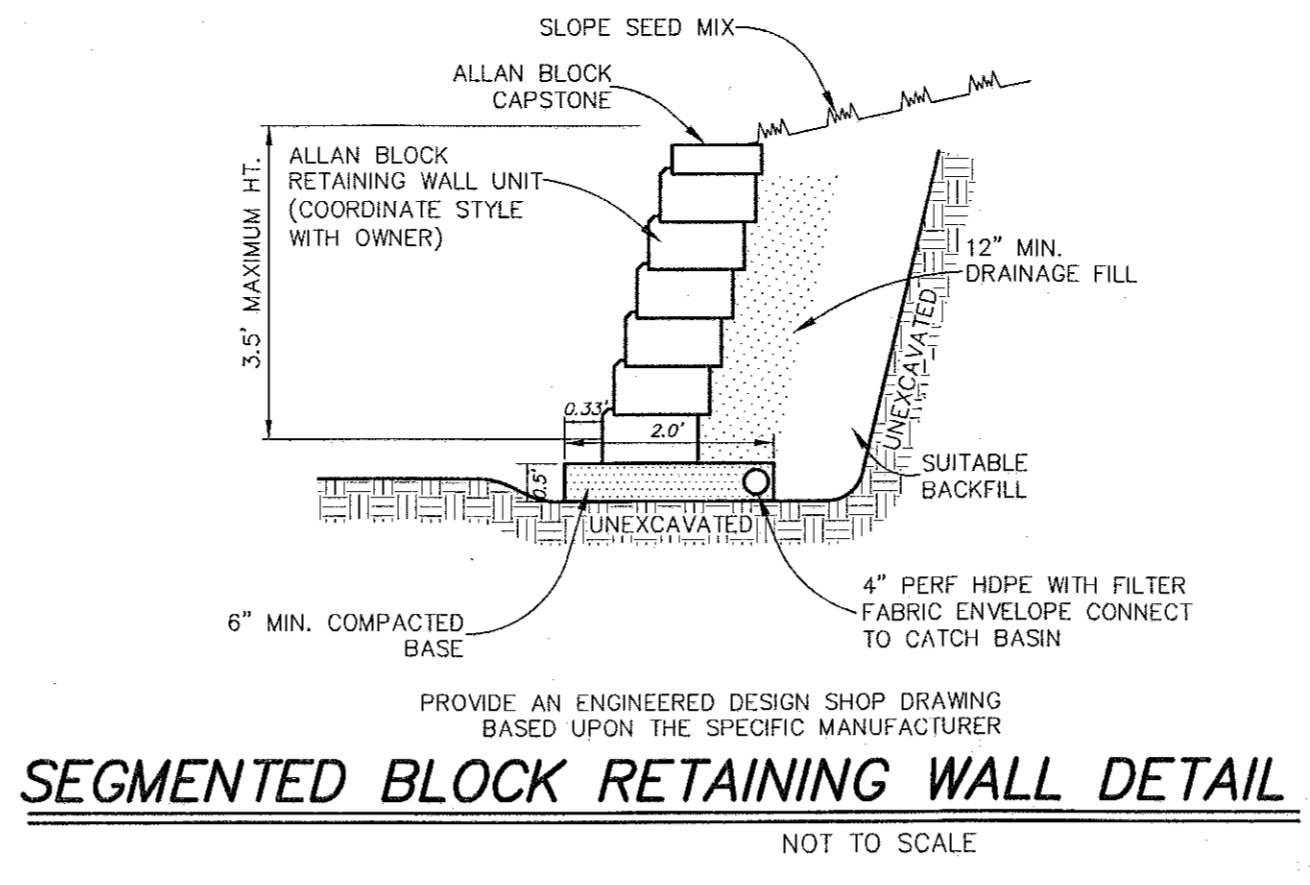


NEW TREE PLANTING DETAIL
 NOT TO SCALE

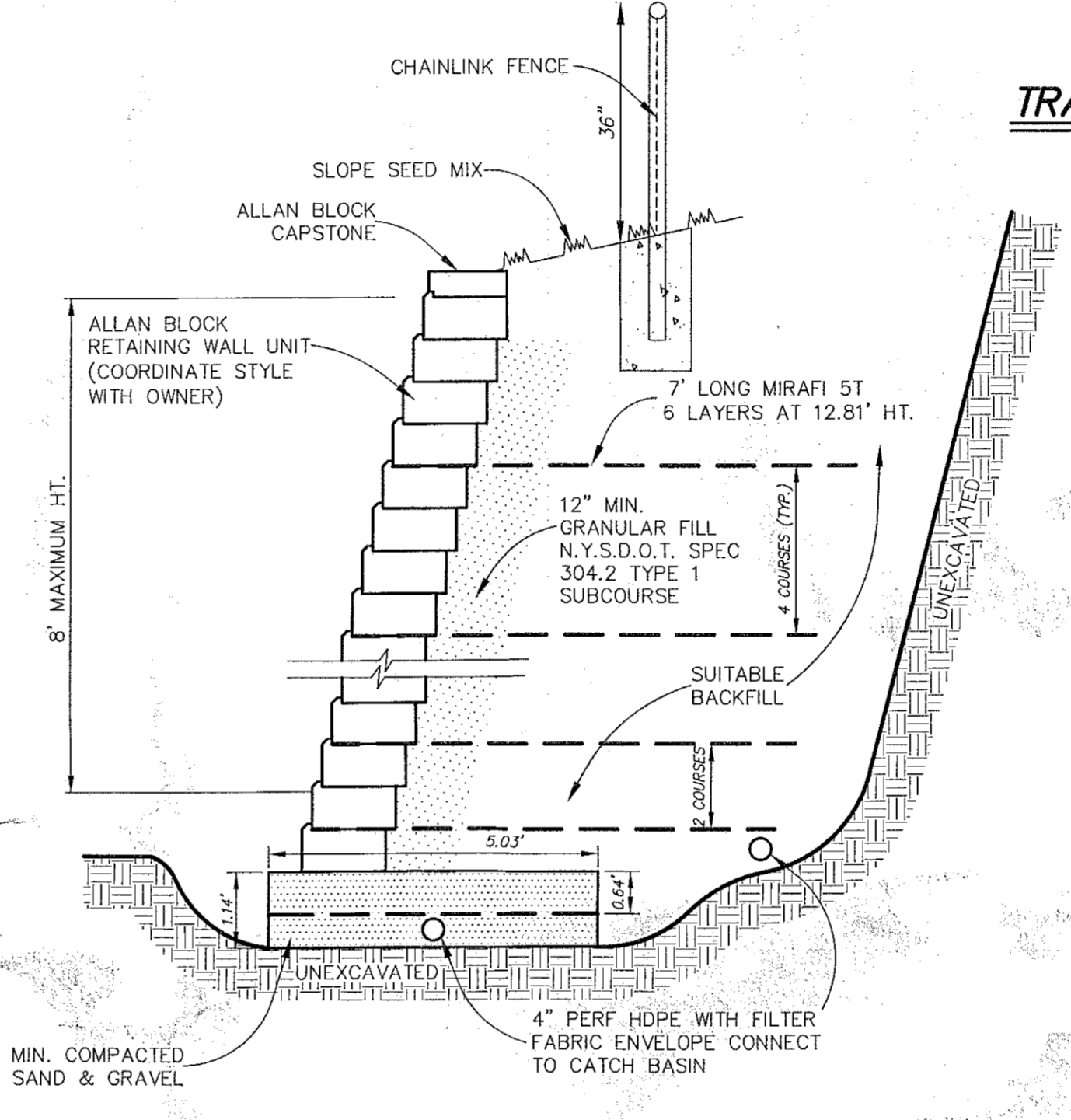


SITE ELECTRIC NOTES:
 1. ALL WIRING SHALL BE TYPE THWN IN 3/4\"/>

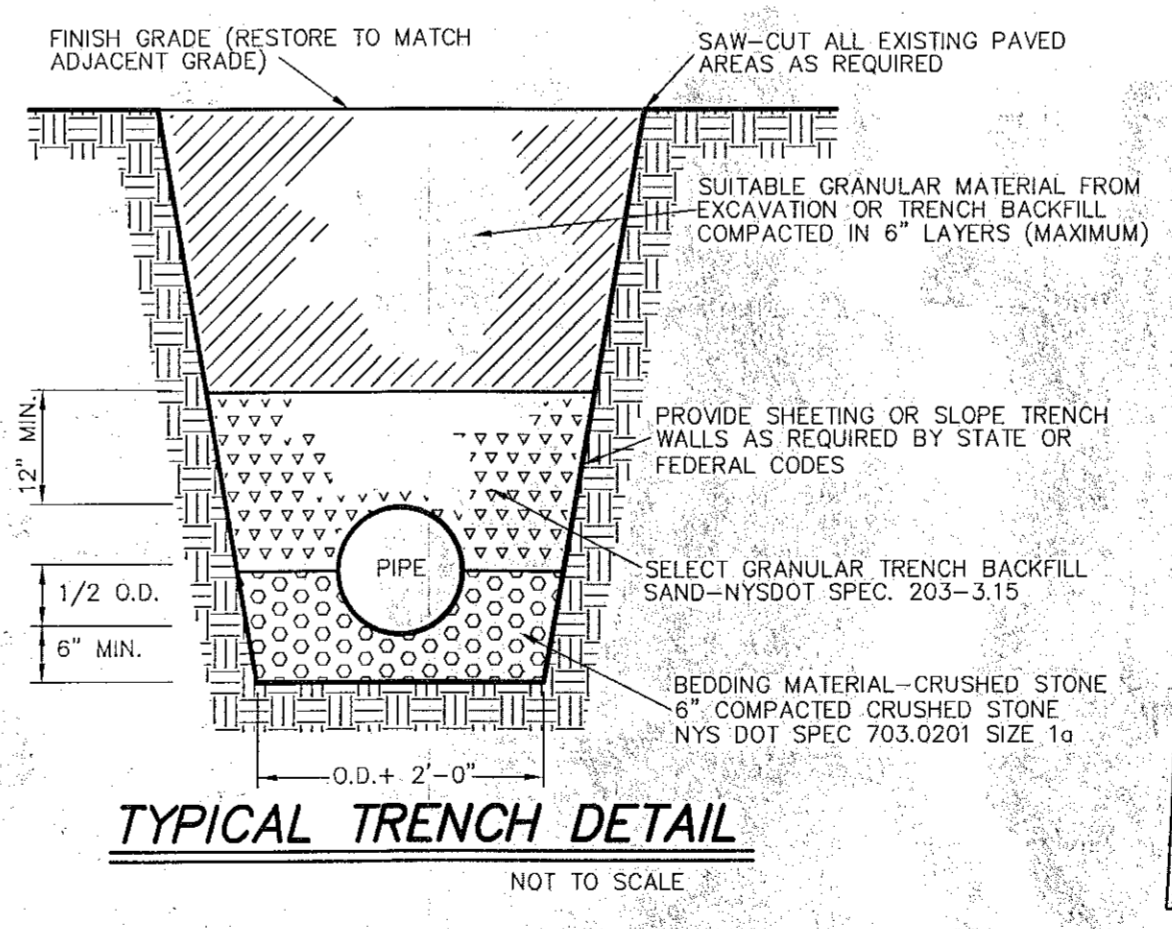
LIGHT POLE DETAIL
 NOT TO SCALE



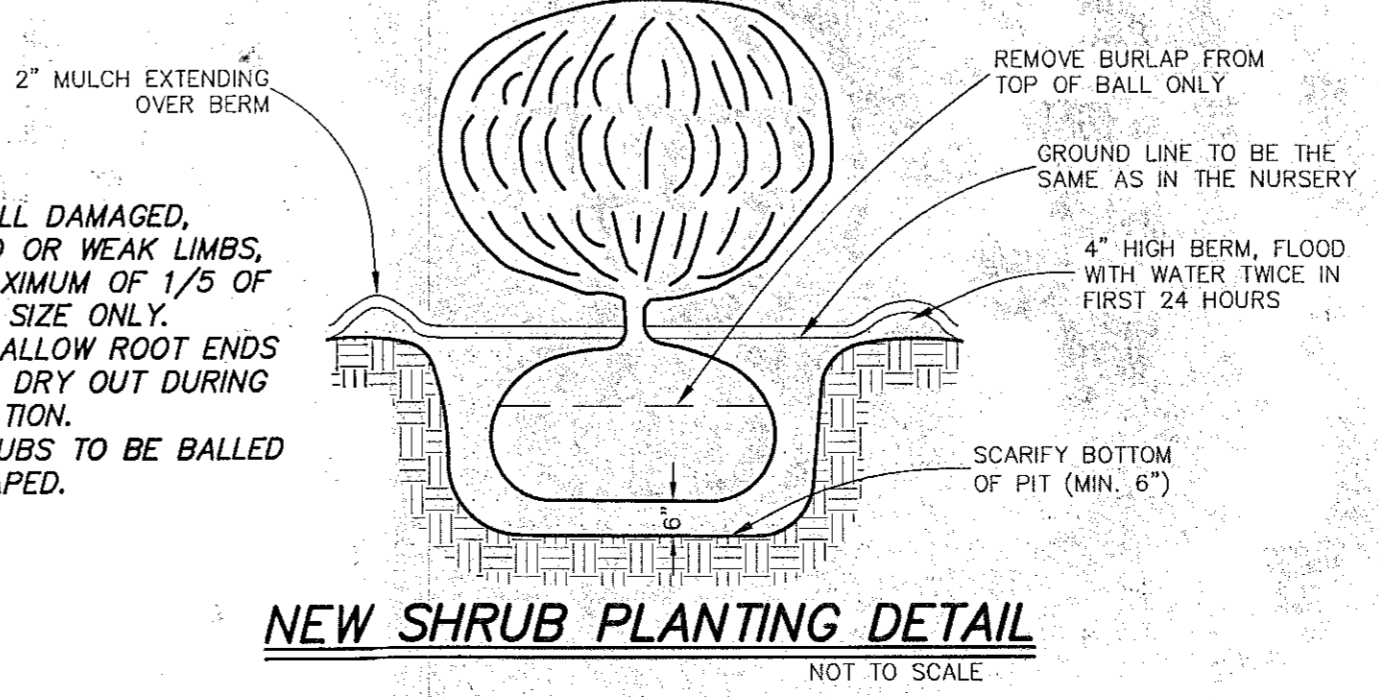
SEGMENTED BLOCK RETAINING WALL DETAIL
 NOT TO SCALE



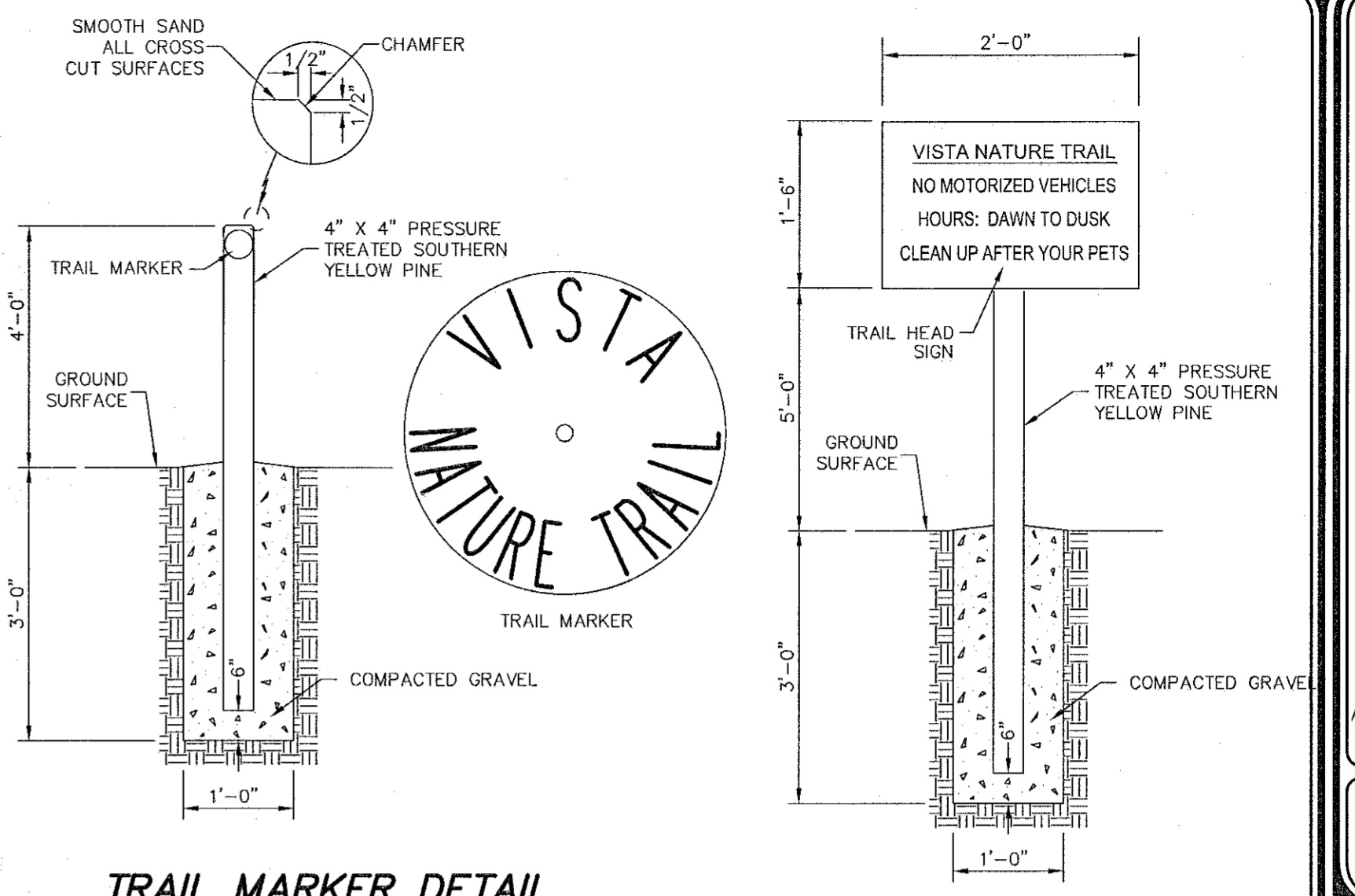
SEGMENTED BLOCK RETAINING WALL DETAIL FOR WALLS OVER 4.7' HIGH
 NOT TO SCALE



TYPICAL TRENCH DETAIL
 NOT TO SCALE

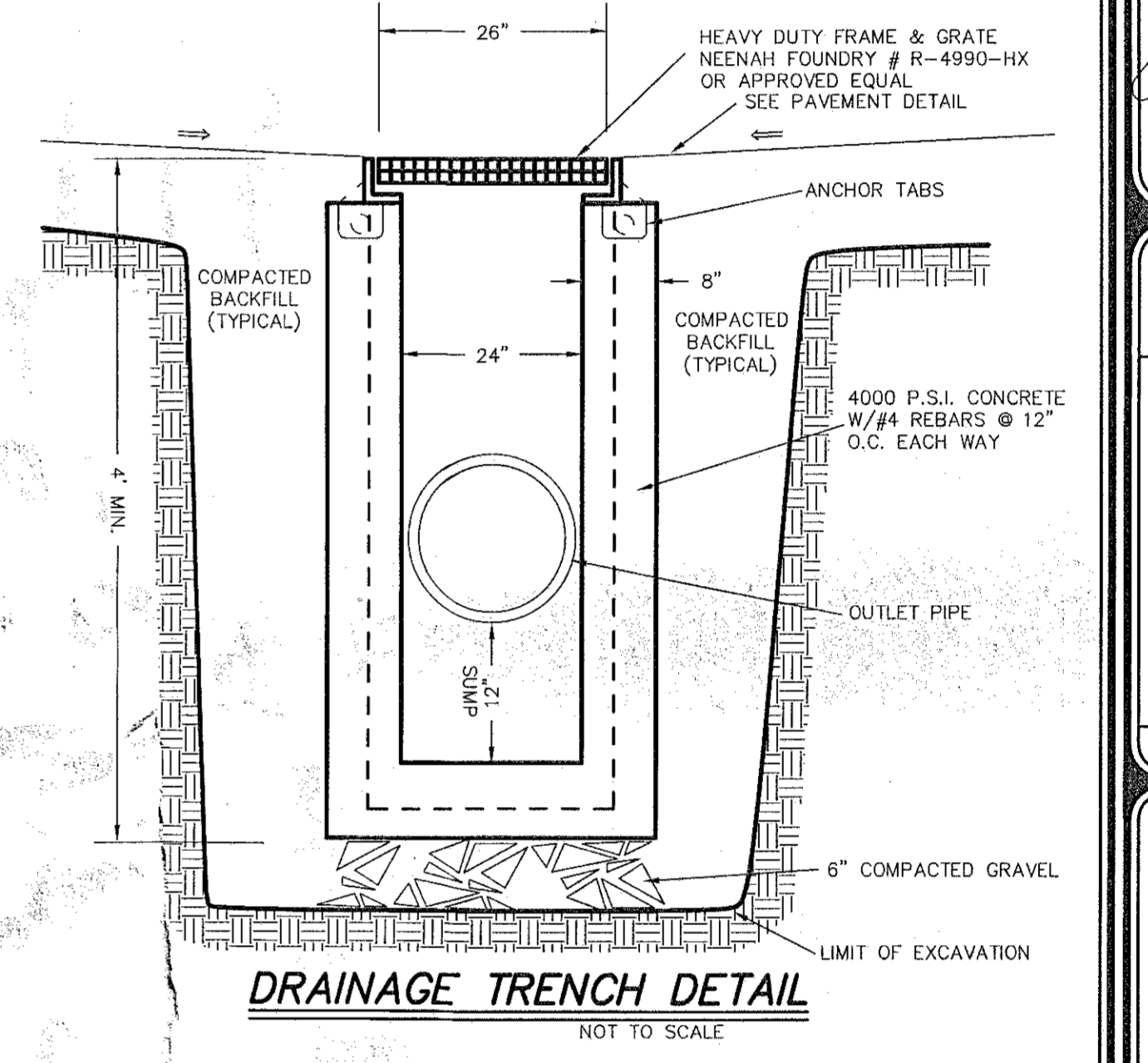


NEW SHRUB PLANTING DETAIL
 NOT TO SCALE

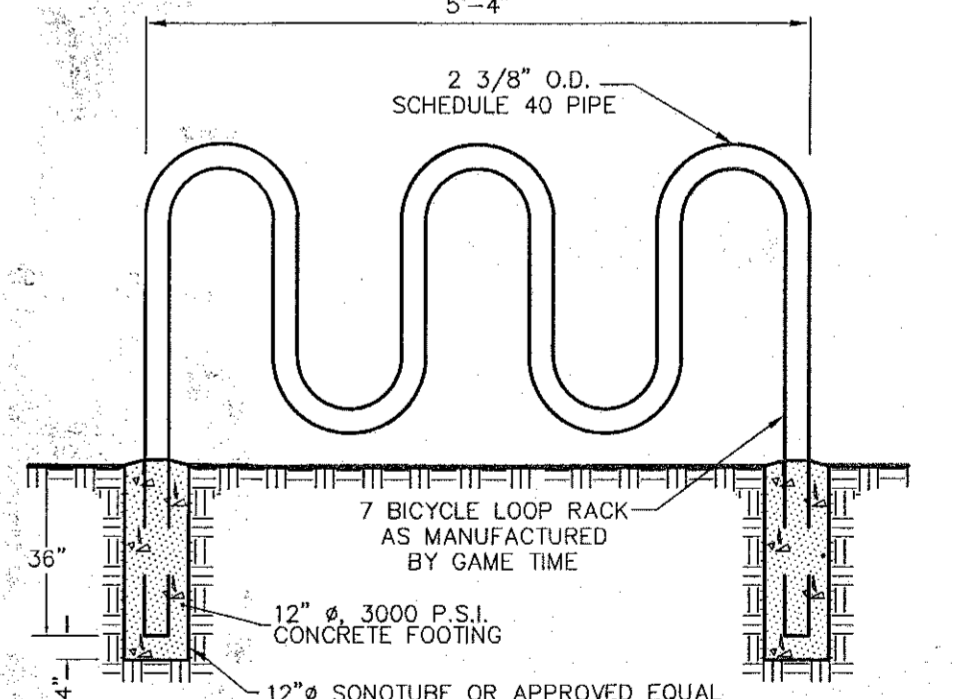


TRAIL MARKER DETAIL
 NOT TO SCALE

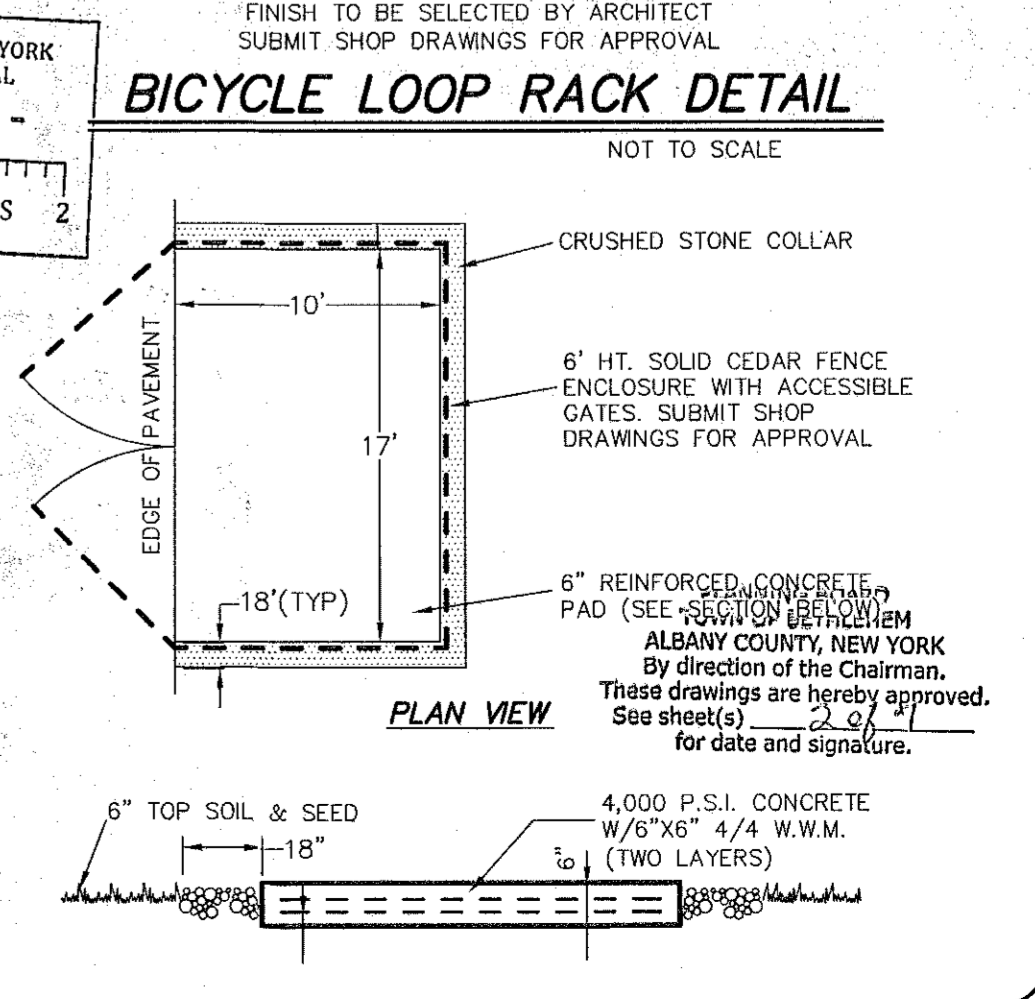
TRAIL HEAD SIGN DETAIL
 NOT TO SCALE



DRAINAGE TRENCH DETAIL
 NOT TO SCALE



BICYCLE LOOP RACK DETAIL
 NOT TO SCALE



NOTES:
 1. PRUNE ALL DAMAGED, DISEASED OR WEAK LIMBS, TO A MAXIMUM OF 1/5 OF EXISTING SIZE ONLY.
 2. DO NOT ALLOW ROOT ENDS ENDS TO DRY OUT DURING INSTALLATION.
 3. ALL SHRUBS TO BE BALLED & BURLAPED.

HERSHBERG & HERSHBERG
 Consulting Engineers and Land Surveyors
 18 Locust Street
 Albany, New York 12203

ALTERATION OF THIS DOCUMENT EXCEPT BY A LICENSED PROFESSIONAL ENGINEER OR LAND SURVEYOR, IS ILLEGAL.

STATE OF NEW YORK
 JAMES R. HERSHBERG
 PROFESSIONAL ENGINEER & LAND SURVEYOR
 044226

DATE	REVISIONS
1/28/15	COMMENT LETTER 1-9-15
2/19/15	PLANNING BOARD COMMENTS
2/23/15	RESPONSE TO COMMENTS
3/2/15	RESPONSE TO COMMENTS
3/12/15	RESPONSE TO COMMENTS
3/23/15	CHA. EMAIL COMMENTS
6/09/15	

AMENDED SITE DETAILS FOR No. 85 VISTA BOULEVARD
 VISTA TECHNOLOGY CAMPUS
 TOWN OF BETHLEHEM
 ALBANY COUNTY, STATE OF NEW YORK

SCALE: AS NOTED
 DATE: 10/28/14
 GATE: 140067-1.dwg
 CHK: DRH
 BY: WM
 FILE: 140067