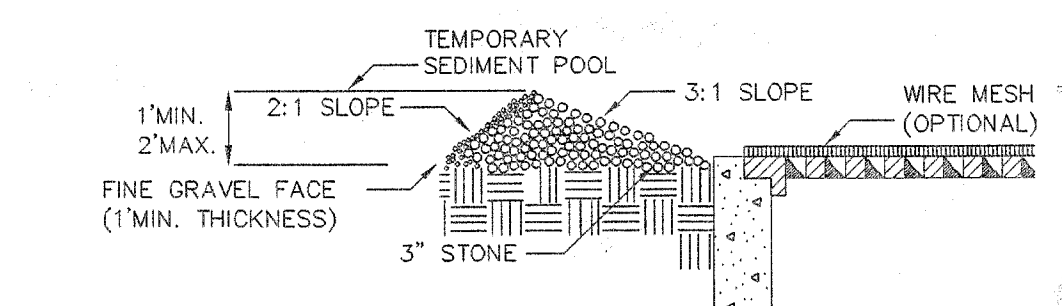


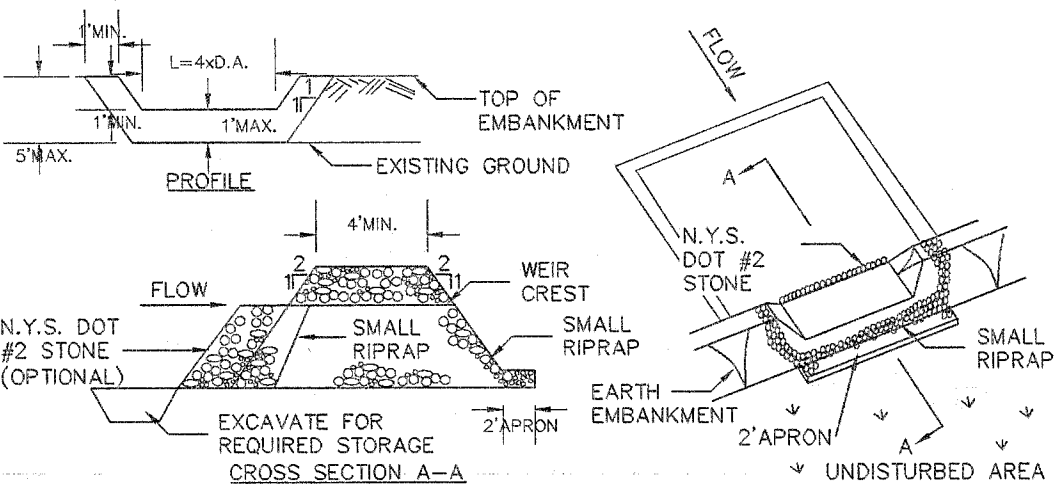
1 BIOFILTER PLANTING PLANS
NOT TO SCALE

ABBREVIATION	COMMON NAME	SCIENTIFIC NAME	SIZE	QUANTITY
Qo	WHITE OAK	QUERCUS ALBA	1 1/2" - 2" cdl.	12
Ar	RED MAPLE	ACER RUBRUM	1 1/2" - 2" cdl.	10
Sn	BLACK WILLOW	SALIX NIGRA	1 1/2" - 2" cdl.	12
Sc	ELDERBERRY	SAMBUCUS CANADENSIS	3" - 2 GAL.	39
Co	BUTTONBUSH	CEPHELANTHUS OCCIDENTALIS	1 - 2 GAL.	35
Vd	ARROWWOOD	VIBURNUM DENTATUM	1 - 2 GAL.	37

NOTE: VEGETATION SHALL BE PLANTED IN A RANDOM NATURAL ORDER WITH TREES 10'-20' O.C. AND SHRUBS 5'-10' O.C.



2 PAVED SURFACE DROP INLET PROTECTION
NOT TO SCALE



OPTION: A ONE FOOT LAYER OF N.Y.S. DOT #2 STONE MAY BE PLACED ON THE UPSTREAM SIDE OF THE EMBEDDED FILTER CLOTH.

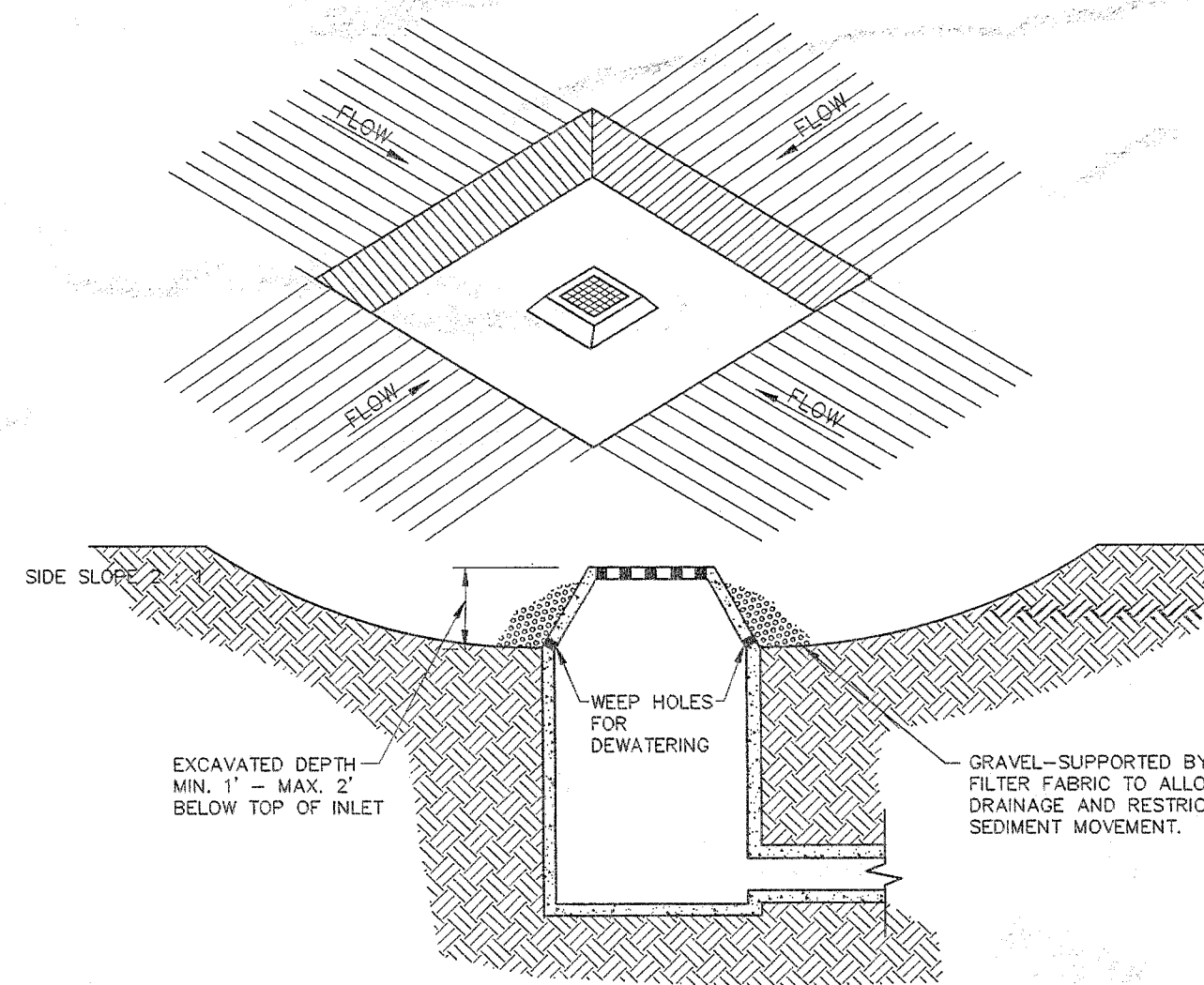
CONSTRUCTION SPECIFICATIONS

- AREA UNDER EMBANKMENT SHALL BE CLEARED, GRUBBED AND STRIPPED OF ANY VEGETATION AND ROOT MAT. THE POOL AREA SHALL BE CLEARED.
- THE FILL MATERIAL FOR THE EMBANKMENT SHALL BE FREE OF ROOTS AND OTHER WOODY VEGETATION AS WELL AS OVER-SIZED STONES, ROCKS, ORGANIC MATERIAL OR OTHER DISINTEGRABLE MATERIAL. THE EMBANKMENT SHALL BE COMPACTED BY TRAVELING WITH EQUIPMENT WHILE IT IS BEING CONSTRUCTED.
- ALL CUT AND FILL SLOPES SHALL BE 2:1 OR FLATTER.
- THE STONE USED IN THE OUTLET SHALL BE SMALL RIPRAP 4"-8" ALONG WITH A 1" THICKNESS OF 2" AGGREGATE PLACED ON THE UP-GRADE SIDE ON THE SMALL RIPRAP OR EMBEDDED FILTER CLOTH IN THE RIPRAP.
- SEDIMENT SHALL BE REMOVED AND TRAP RESTORED TO ITS ORIGINAL DIMENSIONS WHEN THE SEDIMENT HAS ACCUMULATED TO 1/2 THE DESIGN DEPTH OF THE TRAP.
- THE STRUCTURE SHALL BE INSPECTED AFTER EACH RAIN AND REPAIRS MADE AS NEEDED.
- CONSTRUCTION OPERATIONS SHALL BE CARRIED OUT IN SUCH A MANNER THAT EROSION AND WATER POLLUTION IS MINIMIZED.
- THE STRUCTURE SHALL BE REMOVED AND THE AREA STABILIZED WHEN THE DRAINAGE AREA HAS BEEN PROPERLY STABILIZED.

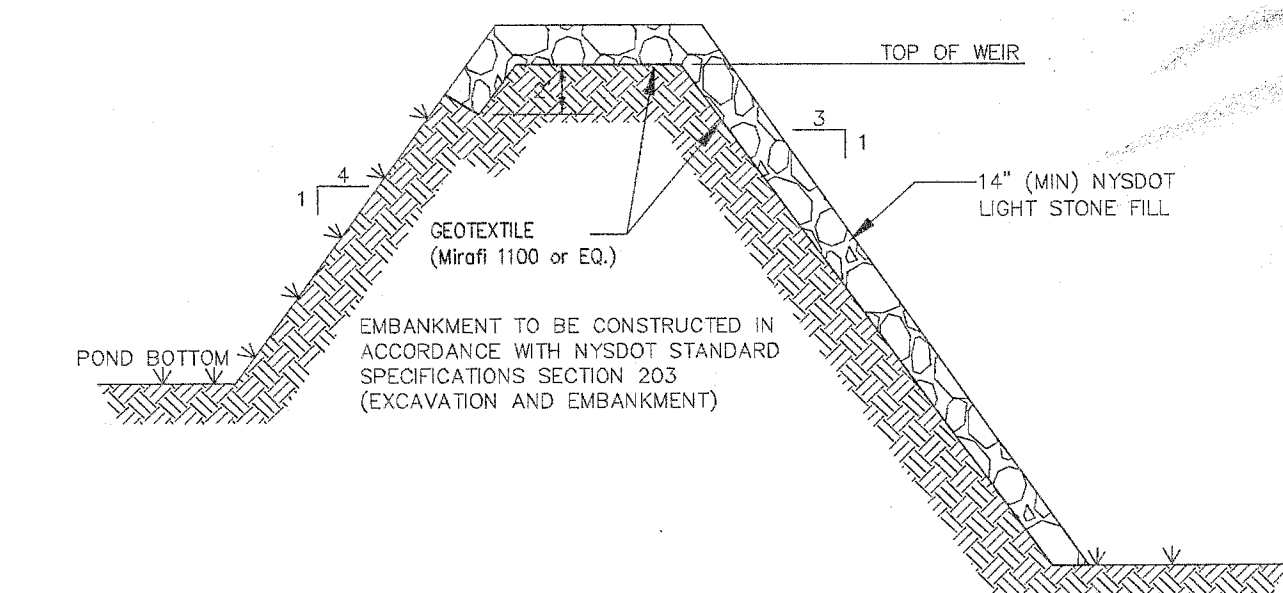
	SEDIMENT TRAP 1	SEDIMENT TRAP 2	SEDIMENT TRAP 3
CONTRIBUTING DRAINAGE AREA	6.9 AC	5.6 AC	2.4 AC
VOLUME REQUIRED	25,000 CF	20,000 CF	8,500 CF
DEPTH OF TRAP	3 FT	5 FT	2 FT
TRAP AREA REQUIRED	8,333 SF	4,000 SF	4,250 SF
MARKER DREDGE ELEVATION	1.5 FT	2.5 FT	1 FT

NOTES:
1) REFERENCE FIG. 5A.19 OF NYS STANDARDS & SPECIFICATIONS FOR EROSION & SEDIMENT CONTROL.

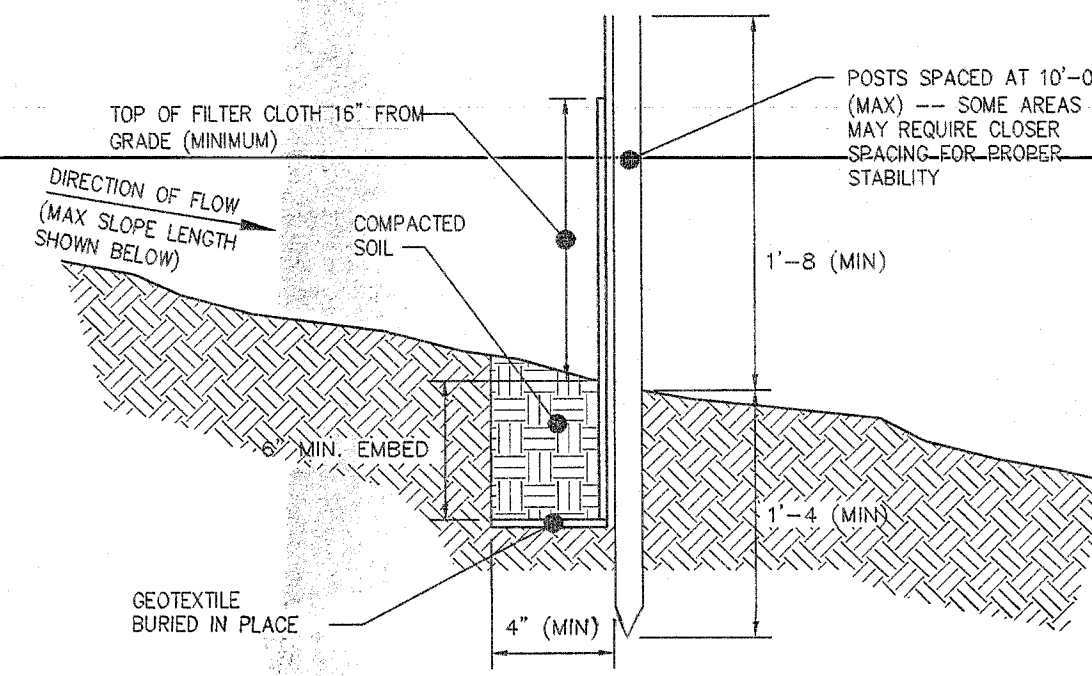
3 STONE OUTLET SEDIMENT TRAP DETAIL
NOT TO SCALE



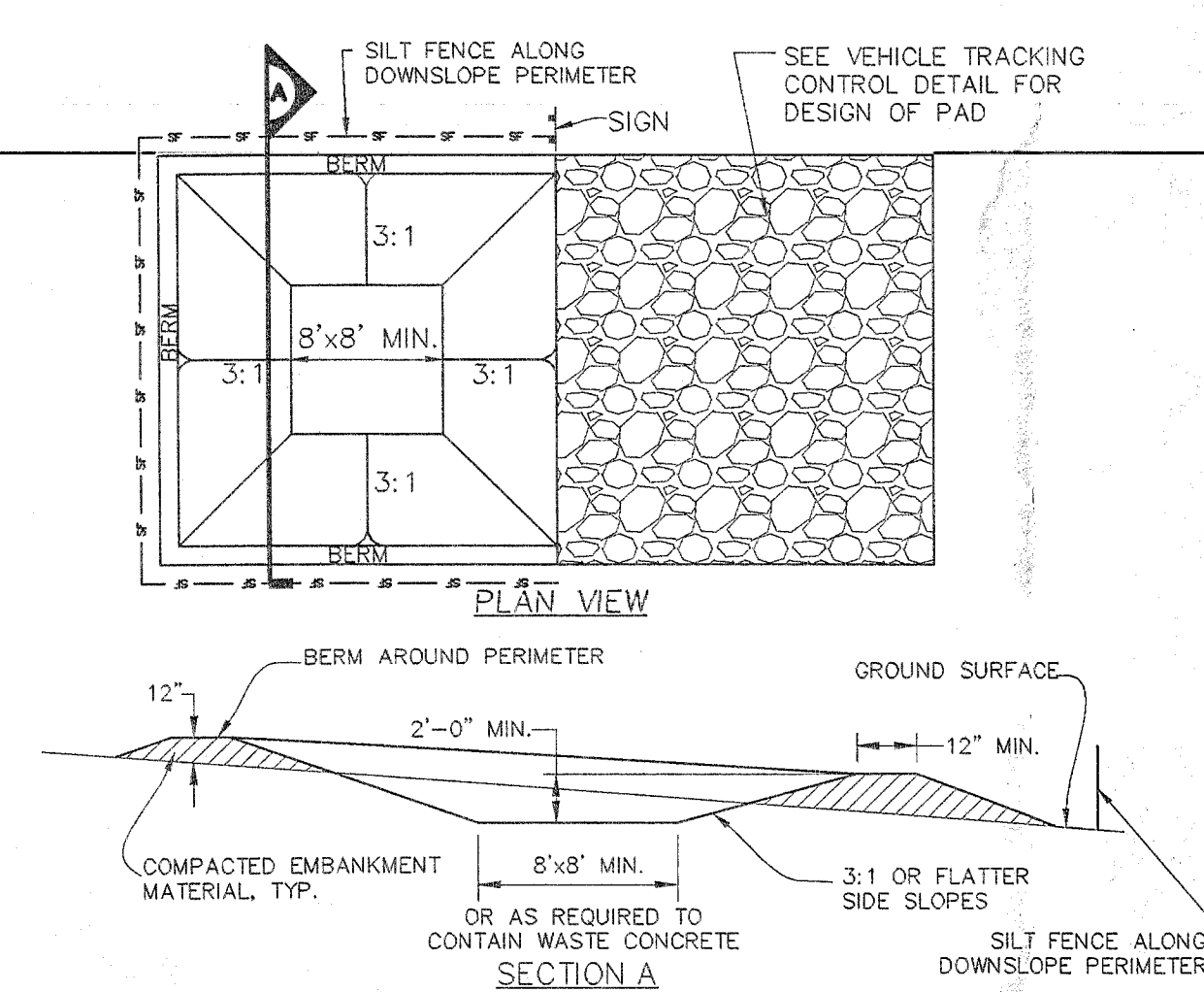
4 EXCAVATED DROP INLET PROTECTION DETAIL
NOT TO SCALE



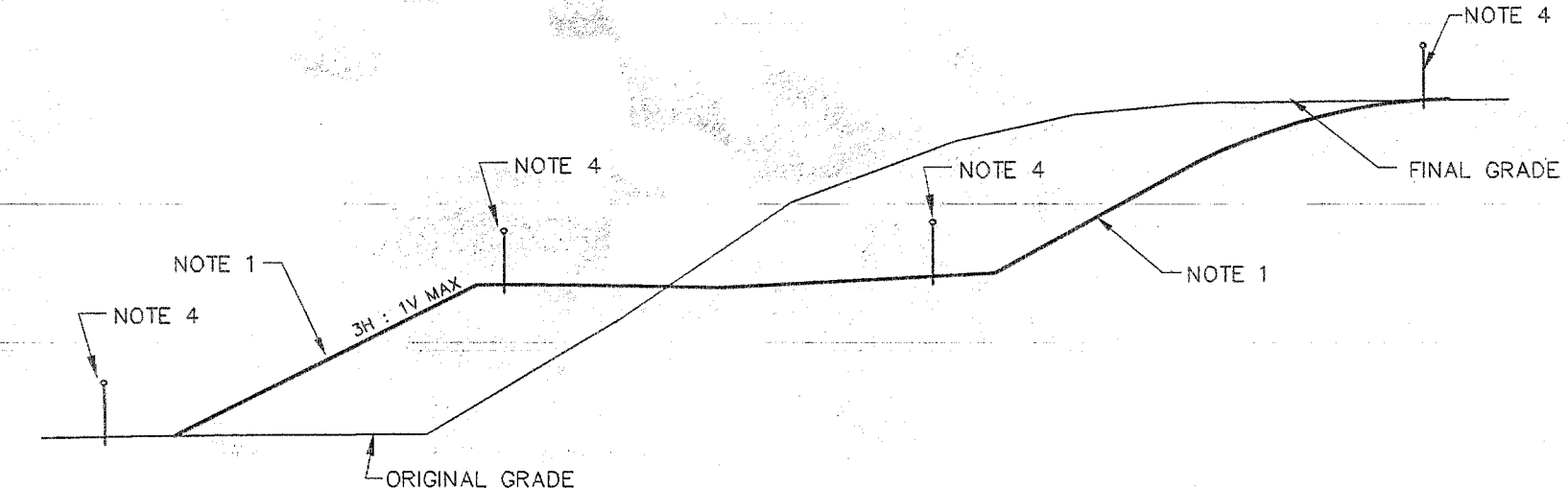
5 EARTH BERM OVERFLOW WEIR DETAIL
(NOT TO SCALE)



6 SILT FENCE DETAIL
NOT TO SCALE

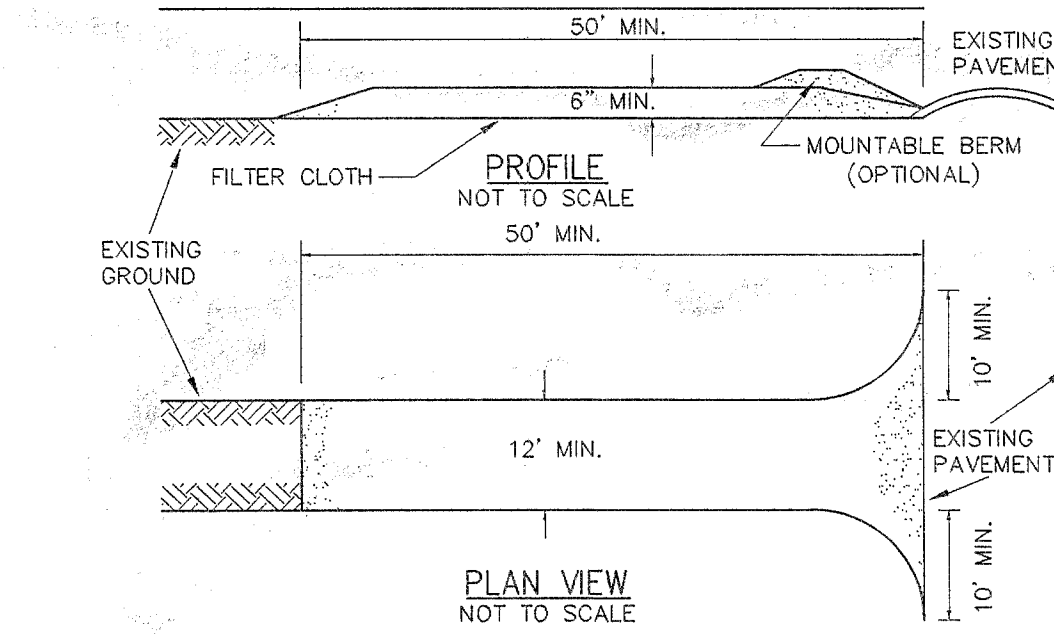


7 CONCRETE WASHOUT AREA
NOT TO SCALE



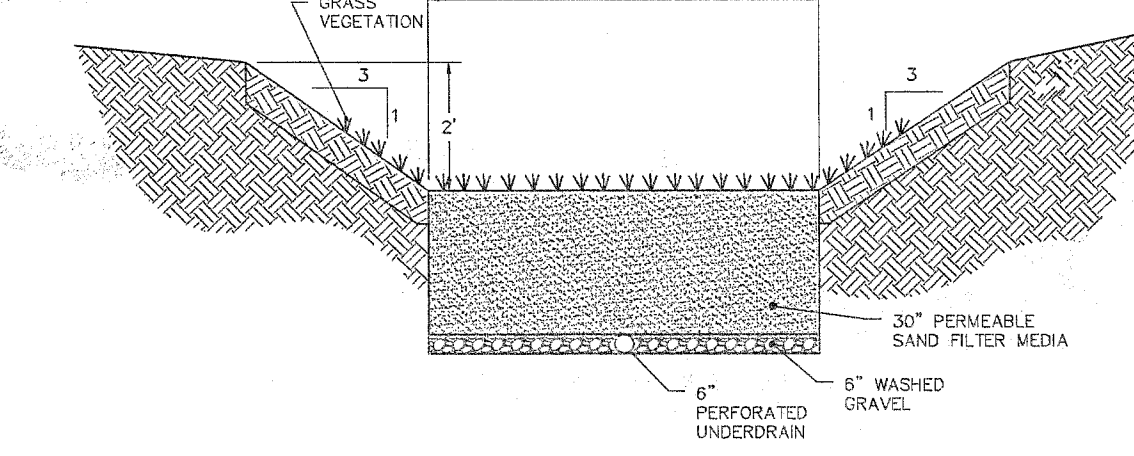
- NOTES:
- WHEN CUT/FILL SLOPE HAS BEEN COMPLETED, THE SLOPE SHOULD BE TRIMMED AND THE PERMANENT EROSION CONTROL MEASURES OF SEEDING AND MULCHING SHOULD BE CARRIED OUT, IF THE CUT/FILL IS TRIMMED OUT OF SEASON (FROM NOV. 1 THROUGH APRIL 1), MULCH THE SLOPE AND SEED ON TOP OF THE MULCH IN THE NEXT SEEDING SEASON.
 - IF THE SLOPE CANNOT BE COMPLETED BECAUSE PAVING IS REQUIRED OR FOR OTHER REASONS, THE SEEDING AND MULCHING SHOULD BE COMPLETED TO THE MAXIMUM EXTENT POSSIBLE.
 - WHEN THE CUT/FILL CANNOT BE BROUGHT TO FINAL GRADE IN A REASONABLE LENGTH OF TIME IT SHOULD BE MULCHED PER QP 0-15-002.
 - PROVIDE A CONTINUOUS LINE OF SILT FENCE AT THE PERIMETER OF SLOPES UNTIL THE FINAL STABILIZATION HAS BEEN APPROVED BY THE DESIGN ENGINEER OR THE INSPECTING PROFESSIONAL.
 - ALL FILL SLOPES AND CONSTRUCTED EMBANKMENTS SHALL BE INSTALLED IN ACCORDANCE WITH NYS DOT STANDARD SPECIFICATIONS SECTION 203 (EXCAVATION AND EMBANKMENT).

8 SEEDING AND MULCHING GUIDES - CUT/FILL SLOPES
NOT TO SCALE



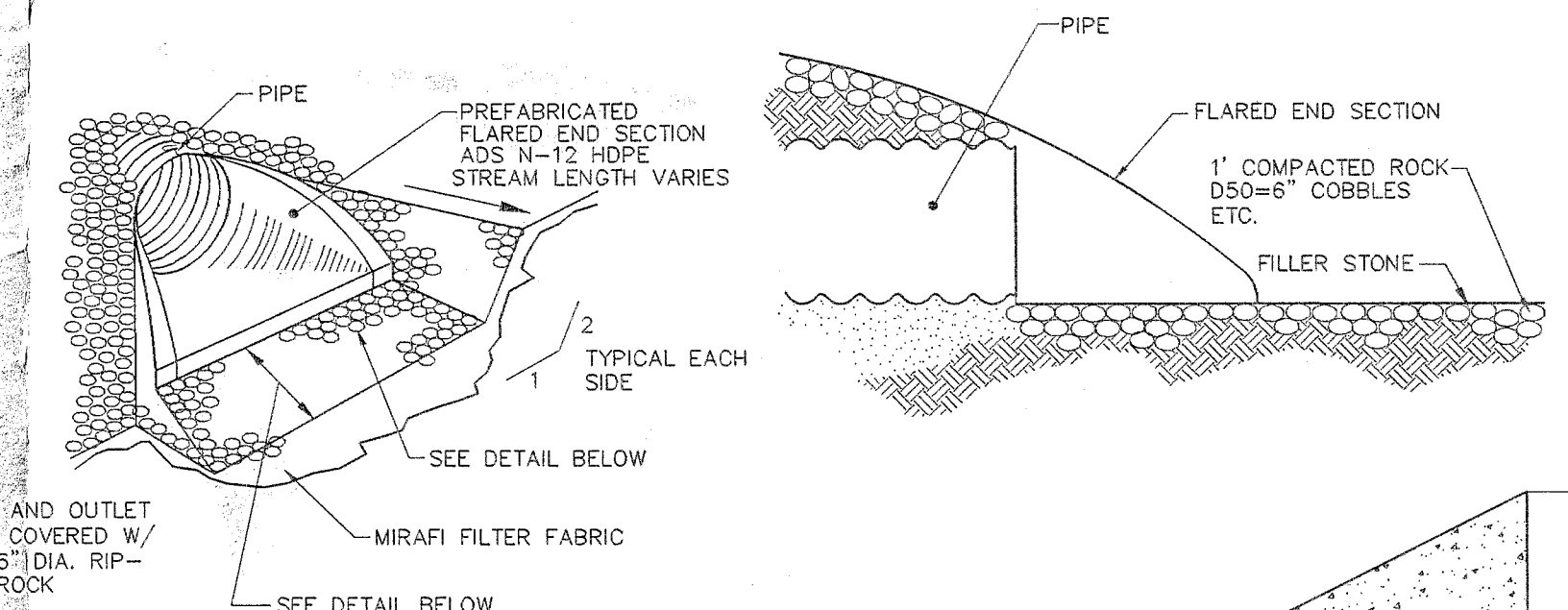
- CONSTRUCTION SPECIFICATIONS:
- STONE SIZE - USE 2" STONE, OR RECLAIMED OR RECYCLED CONCRETE EQUIVALENT.
 - LENGTH - NOT LESS THAN 50 FEET (EXCEPT ON A SINGLE RESIDENCE LOT WHERE A 30 FEET MINIMUM LENGTH WOULD APPLY).
 - THICKNESS - NOT LESS THAN SIX (6) INCHES.
 - WIDTH - TWELVE (12) FOOT MINIMUM, BUT NOT LESS THAN THE FULL WIDTH AT POINTS WHERE INGRESS OR EGRESS OCCURS. TWENTY (20) FOOT IF SINGLE ENTRANCE TO SITE.
 - FILTER CLOTH - WILL BE PLACED OVER THE ENTIRE AREA PRIOR TO PLACING OF STONE.
 - SURFACE WATER - ALL SURFACE WATER FLOWING OR DIVERTED TOWARD CONSTRUCTION ENTRANCES SHALL BE PIPED ACROSS THE ENTRANCE. IF PIPING IS IMPRACTICAL, A MOUNTABLE BERM WITH 5:1 SLOPES WILL BE PERMITTED.
 - MAINTENANCE - THE ENTRANCE SHALL BE MAINTAINED IN A CONDITION WHICH WILL PREVENT TRACKING OR FLOWING OF SEDIMENT ONTO PUBLIC RIGHTS OF WAY. ALL SEDIMENT SPILLED, DROPPED, WASHED OR TRACKED ONTO PUBLIC RIGHTS OF WAY MUST BE REMOVED IMMEDIATELY.
 - WHEN WASHING IS REQUIRED, IT SHALL BE DONE ON AN AREA STABILIZED WITH STONE AND WHICH DRAINS INTO AN APPROVED SEDIMENT TRAPPING DEVICE. PERIODIC INSPECTION AND NEEDED MAINTENANCE SHALL BE PROVIDED AFTER EACH RAIN.

9 STABILIZED CONSTRUCTION ENTRANCE DETAIL
NOT TO SCALE



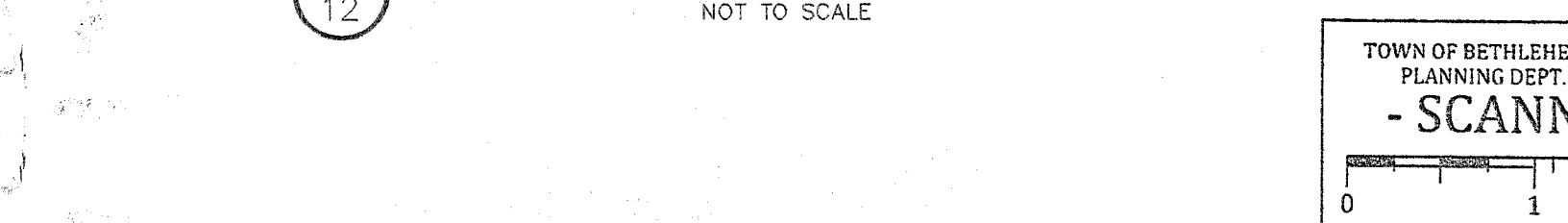
10 DRY SWALE DETAIL
(NYS DOT STORMWATER DESIGN MANUAL TYPE 0-1)

- NOTES:
- DISTURBED AREAS SHALL BE PLANTED WITH ENVIRONMENTAL SEED MIX.
 - VEGETATION SHALL BE MAINTAINED AT 8" HEIGHT.
 - ALL TREES, BRUSH, STUMPS AND OTHER OBSTRUCTIONS SHALL BE REMOVED AND DISPOSED OF SO AS NOT TO INTERFERE WITH THE PROPER FUNCTION OF THE SWALE.
 - THE SWALE SHALL BE EXCAVATED OR SHAPED TO MEET THE CROSS SECTION SHOWN ABOVE AND SHALL BE FREE OF BANK PROJECTIONS OR OTHER IRREGULARITIES THAT MAY IMPIDE FLOW.



12" STORM OUTFALL	18" STORM OUTFALL	24" STORM OUFALL	
FES 3, 3A, 4	FES 2, 5, 9	FES 6	
1	2, 2.1	4, 1, 8, 3	
D= DIA. OF DISCH. PIPE	12"	18"	24"
LA= LENGTH OF APRON	8'	9'	9'
WR LA+D	9'	10.5'	11'
D= RIP-RAP SIZE	6"	6"	6"
RIP-RAP DEPTH	14"	14"	14"

11 PIPE W/ FLARED END SECTION
NOT TO SCALE



INSTALL FILTER FABRIC (MIRAFI 500X OR FUNCTIONAL EQUIVALENT) BETWEEN STONE FILL AND NATIVE SOIL. PLACE RIP-RAP IN LAYERS NOT LESS THAN 1/2" THICK. COMPACT STONE WITH MACHINE BUCKET.

12 PIPE OUTLET PROTECTION

ALBANY COUNTY DEPARTMENT OF HEALTH
TOWN OF BETHLEHEM
PLANNING DEPT. ORIGINAL
- SCANNED -
0 1 2 INCHES

ALBANY COUNTY HEALTH DEPARTMENT APPROVAL

BETHLEHEM PLANNING BOARD APPROVAL

NOTE: 48 HOURS PRIOR TO ANY CONSTRUCTION ACTIVITIES, THE CONTRACTOR SHALL CONTACT DIG SAFELY NEW YORK TO LOCATE ALL UNDERGROUND UTILITIES. 1-800-962-7962

NO.	DATE	REVISIONS	BY
1	5/13/16	REVISED PER TOWN & TDC COMMENTS	CDL
2	10/13/16	REVISED PER TOWN & TDC COMMENTS	JCH
3	1/23/17	REVISED PER TOWN COMMENTS	JCH
4	1/18/17	REVISED PER TOWN COMMENTS	JCH
5	4/4/17	ISSUED FOR FINAL PLAT APPROVAL	JCH
6	5/17/17	REVISED LOT 2, 3 & 4	PJY
7	5/18/17	ISSUED FOR FINAL PLAT APPROVAL	PJY

UNAUTHORIZED ALTERATION OR ADDITION TO THIS DRAWING IS A VIOLATION OF SECTION 7209 SUBDIVISION 2 OF THE NEW YORK STATE EDUCATION LAW.

ingalls & associates, LLP
2800 GULBURN AVENUE
ROCKY HILL, CT 06151
PHONE: (810) 393-1725
FAX: (810) 393-2324

ALBANY COUNTY TOWN OF BETHLEHEM STATE OF NEW YORK
CORRIT DRIVE, HAMPTON STREET & SPINDLER COURT
DATE: NOVEMBER 24, 2015 CHECKED BY: F.I. JOB NO. 13-062 SCALE: N.T.S.
DRAWN BY: C.D.L. CADD FILE: 13-062 Details.dwg SHEET 12 OF 13