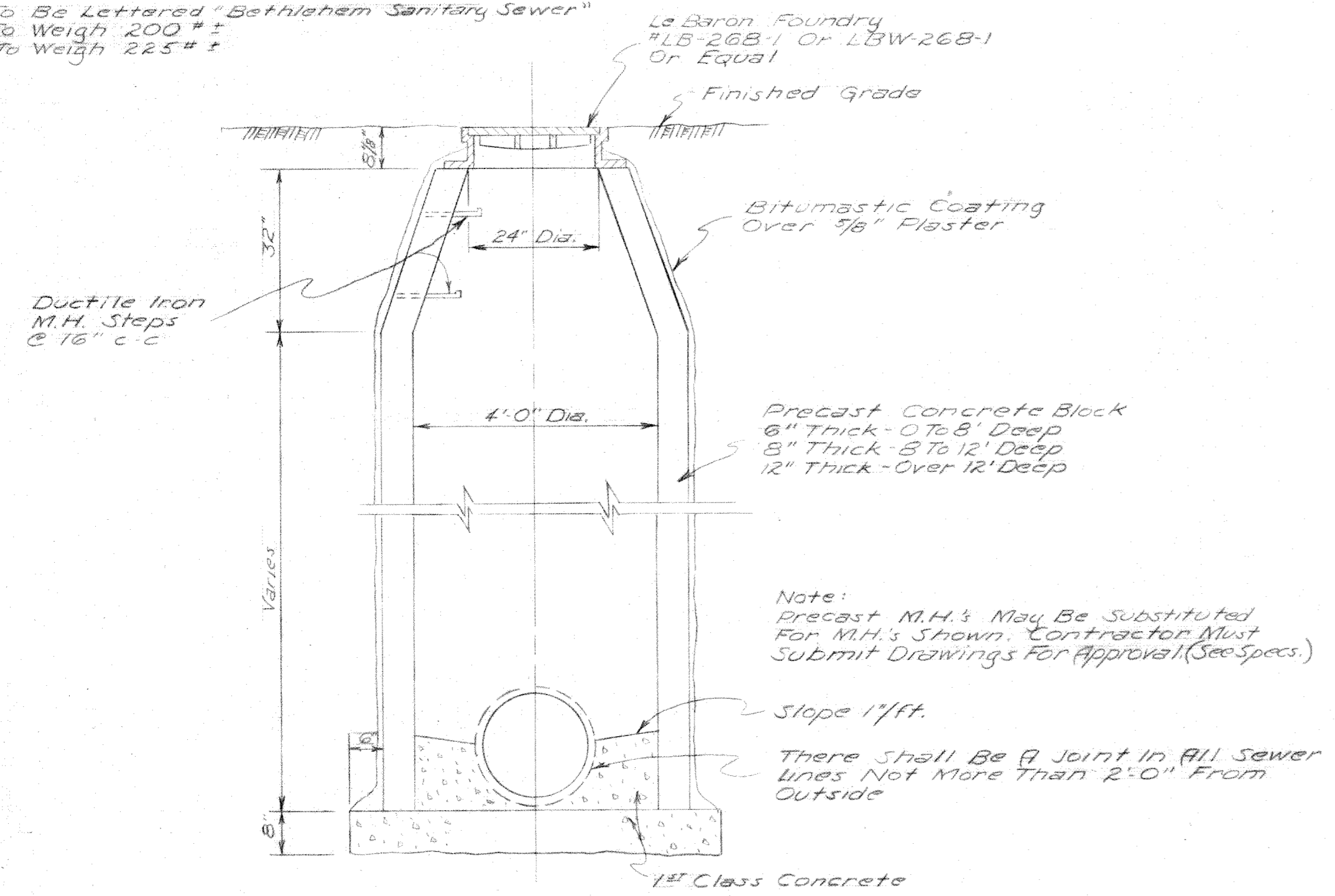
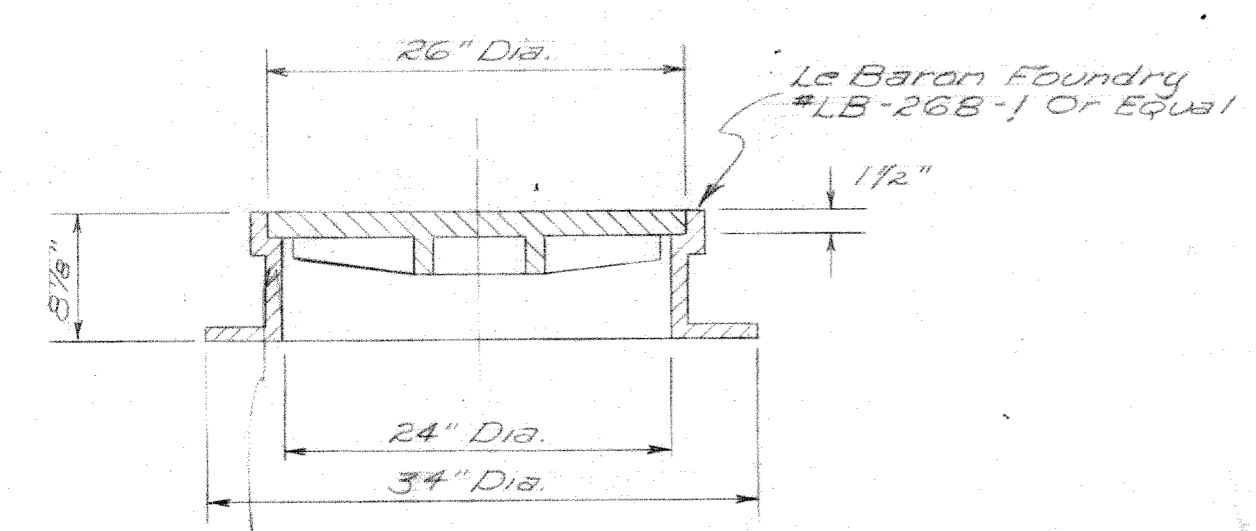
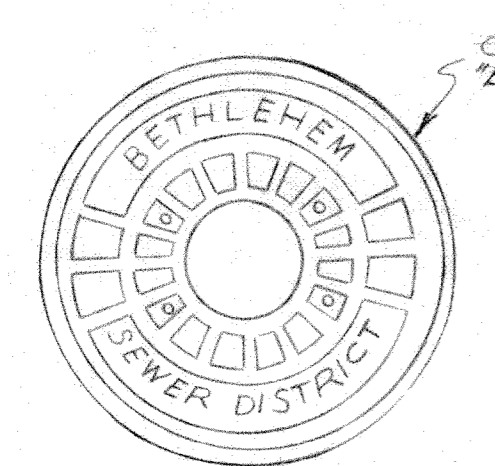


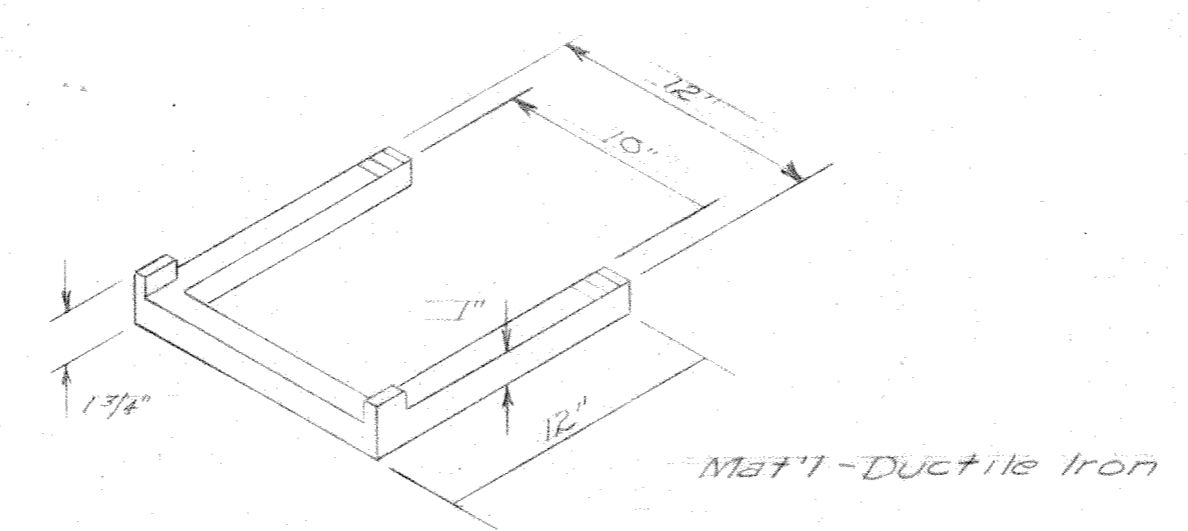
Cover To Be Lettered "Bethlehem Sanitary Sewer"
 Cover To Weigh 200 # ±
 Frame To Weigh 225 # ±



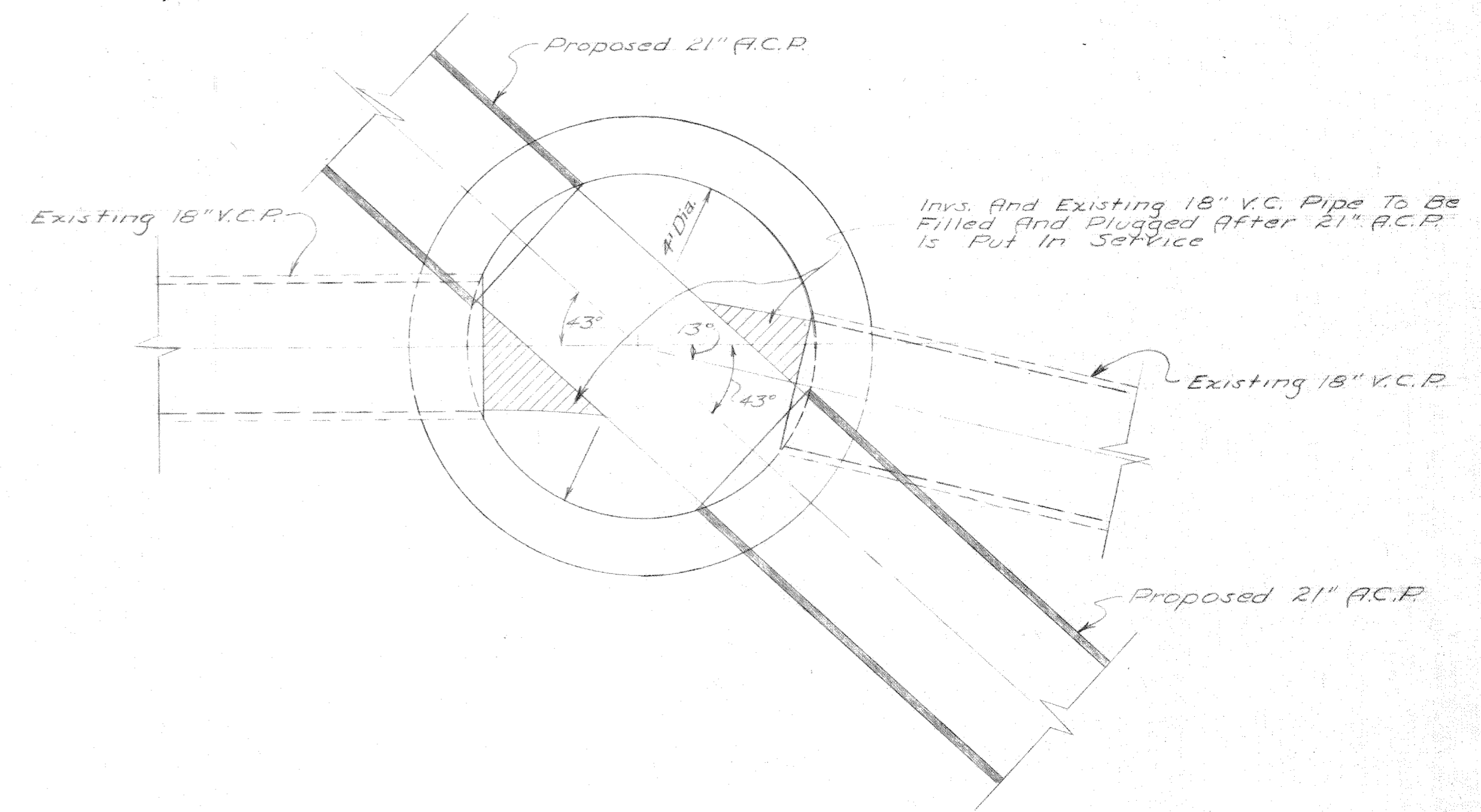
TYPICAL M.H. DETAIL
 SCALE: 1/2" = 1'-0"



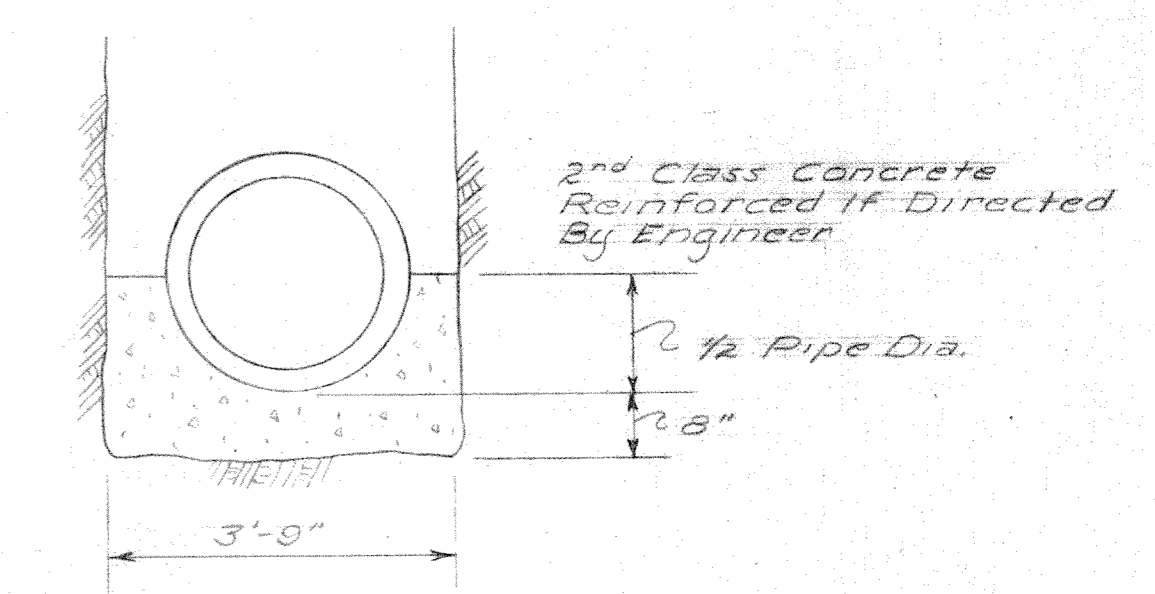
TYPICAL MANHOLE
 FRAME & COVER
 SCALE: 1" = 1'-0"



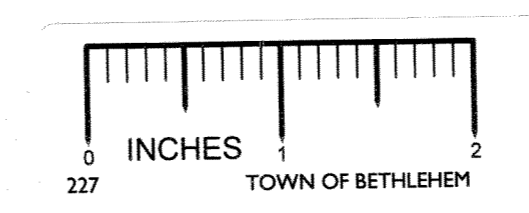
MANHOLE STEP DETAIL
 NOT TO SCALE



DETAIL OF EXISTING M.H. STA. 0+86
 SCALE: 3/4" = 1'-0"



CONCRETE PIPE CRADLE
 SCALE: 1/2" = 1'-0"



RECORD PLAN

REVISIONS		BETHLEHEM SEWER DISTRICT TOWN OF BETHLEHEM		
DATE	DESCRIPTION	ALBANY COUNTY	NEW YORK	
		CONTRACT 2T		
		IMPROVEMENTS TO EXISTING TRUNK SEWER DELMAR-ELSMERE TREATMENT PLANT		
		J. KENNETH FRASER & ASSOC., P.C. CONSULTING ENGINEERS RENSSELAER, NEW YORK		
10/76	Rec. Plan	SCALE:	DATE:	DWG. NO.
DWN BY: J.T.P.	REF	AS NOTED	FEBRUARY, 1973	SHEET 2 OF 2
TRC BY: J.T.P.				
CHK BY: W.T.B.				