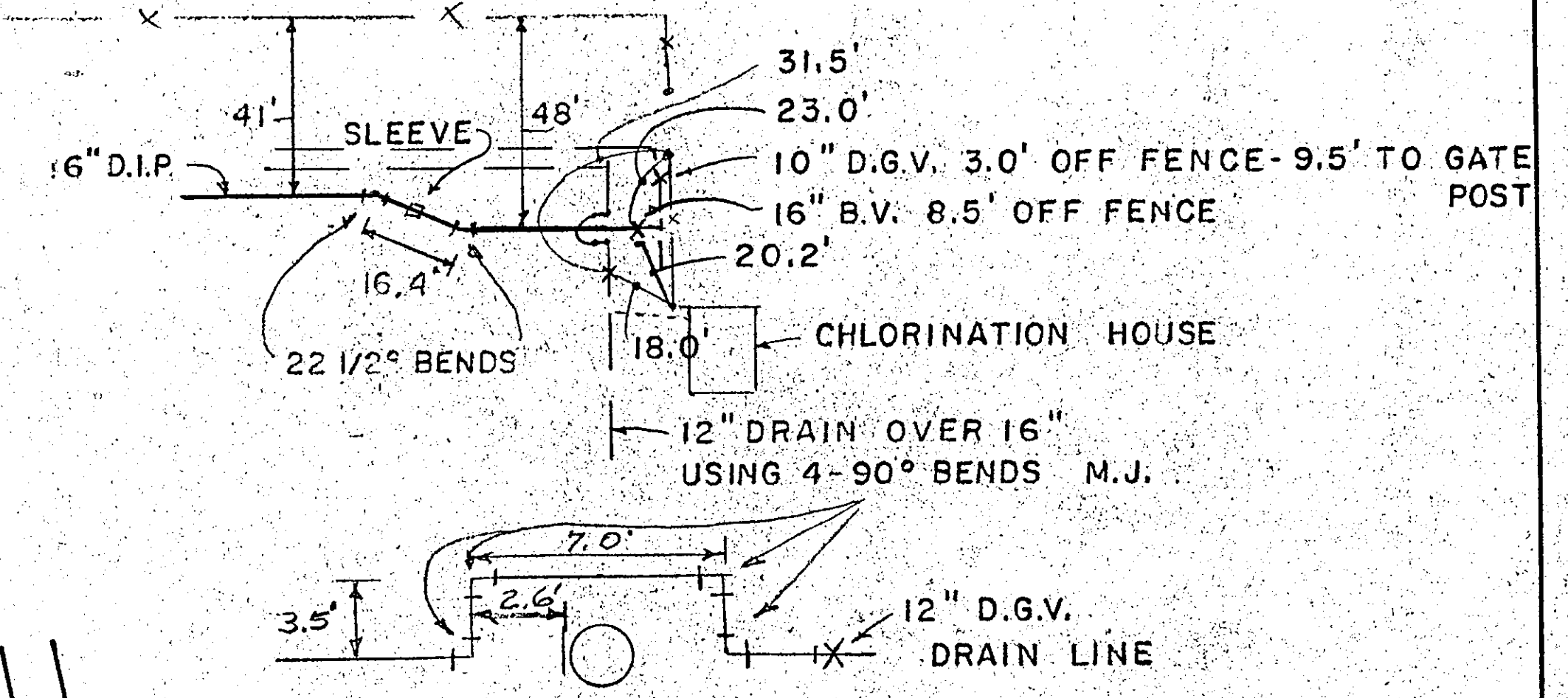
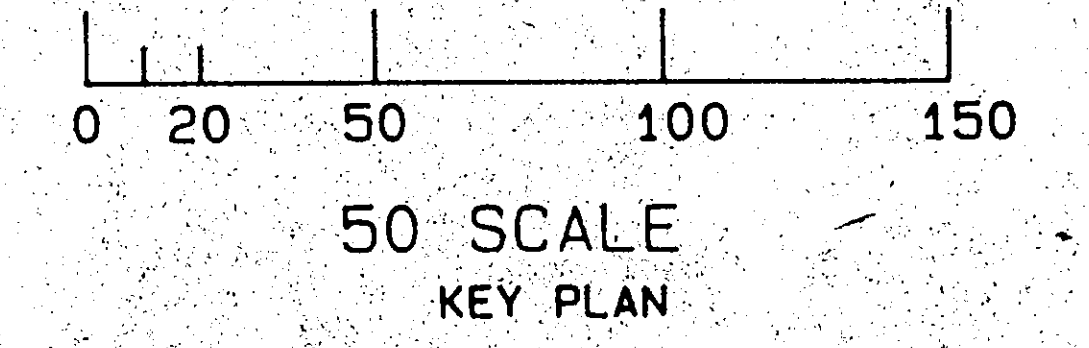


COORDINATES TABLE		
POINT OR STATION	EAST COORDINATE	NORTH COORDINATE
CENTER PROPOSED TANK	5250.00	5319.99
ACCESS ROAD STA. 0+00	5492.61	5119.04
P.C.	5456.82	5395.24
P.T.	5354.24	5492.57
STA. 5+00	5291.34	5490.63
NORTH EAST BULD. CORNER	5437.43	5152.14
N.E. VALVE STRUCTURE	5259.61	5243.30



NOTES

1. THESE RECORD PLANS HAVE BEEN PREPARED UTILIZING INFORMATION COMPILED BY THE ENGINEER AND OTHER SOURCES. INFORMATION SHOWN IS REPRESENTATIVE OF ACTUAL CONDITIONS BUT SHOULD BE VERIFIED PRIOR TO ITS USE FOR FUTURE DESIGNS OR BEFORE EXCAVATIONS AND/OR REPAIRS ARE MADE. THE ENGINEER WILL NOT BE RESPONSIBLE FOR THE ERRORS OR OMISSIONS OF OTHERS OR FOR DAMAGES WHICH MAY RESULT FROM THE UNVERIFIED USE OF THIS RECORD INFORMATION.

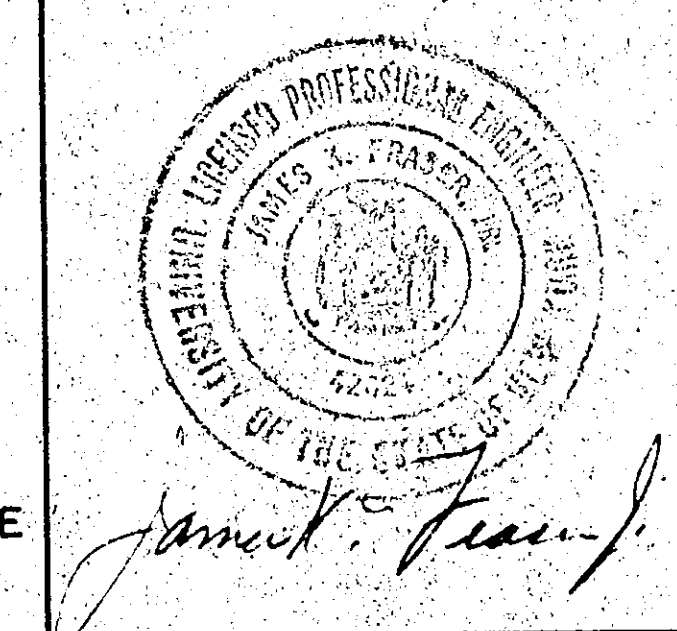
UNAUTHORIZED ALTERATIONS OR ADDITIONS TO THIS DOCUMENT IS A VIOLATION OF SECTION 2209 SUBDIVISION 2 OF THE NEW YORK STATE EDUCATION LAW

REVISIONS			
DATE	BY	DESCRIPTION	SYMBOL

J. KENNETH FRASER AND ASSOCIATES, P.C.
CONSULTING ENGINEERS
RENSSELAER, NEW YORK

CONTRACT NO. 1
SITE WORK

STEEL WATER STORAGE RESERVOIR

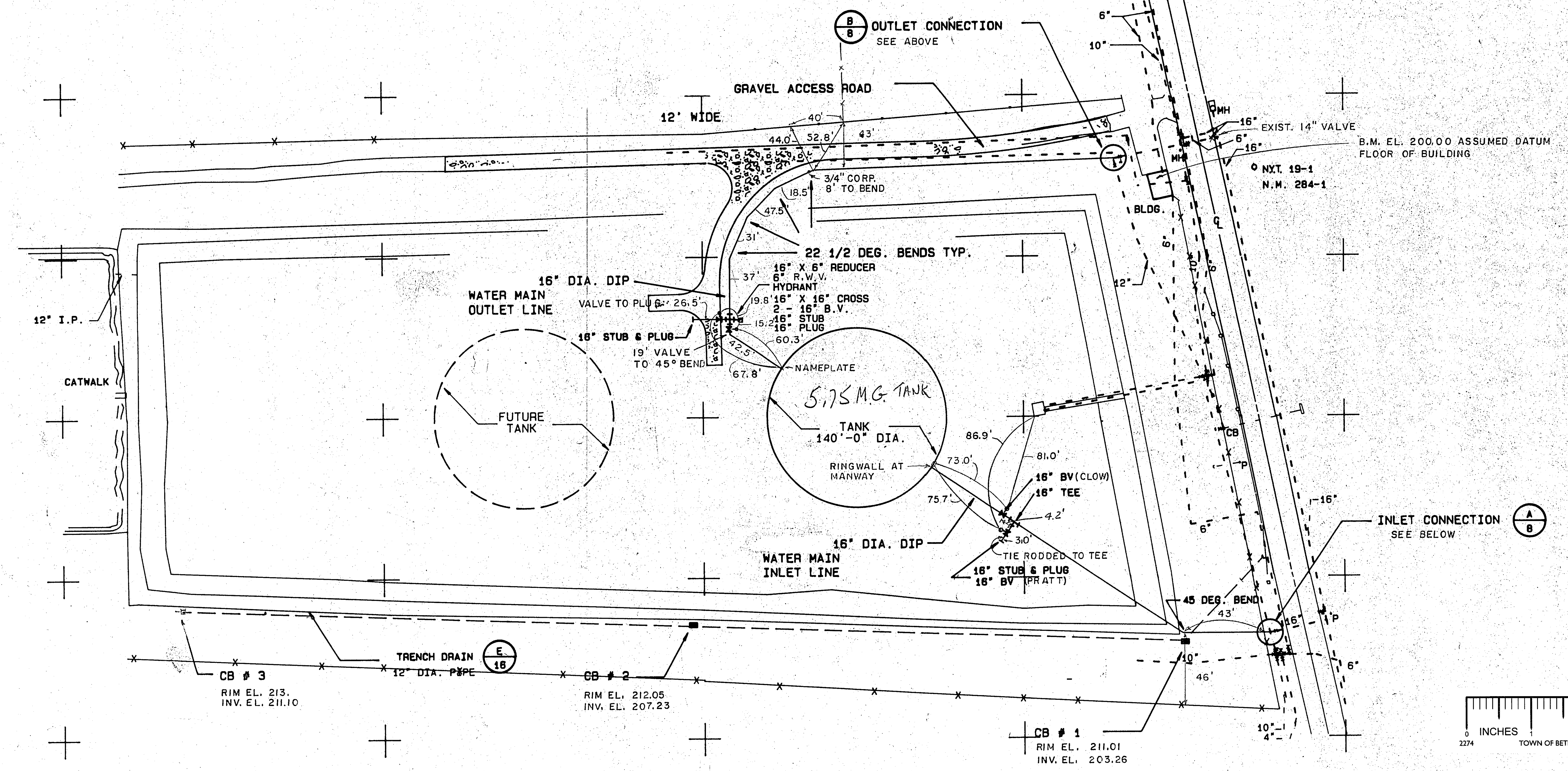


PROJ. ENG'R: DCC
DRAWN BY: WJH
ASSEMBLED BY: BDG
CHECKED BY: JKF

REF. NO. 5624R

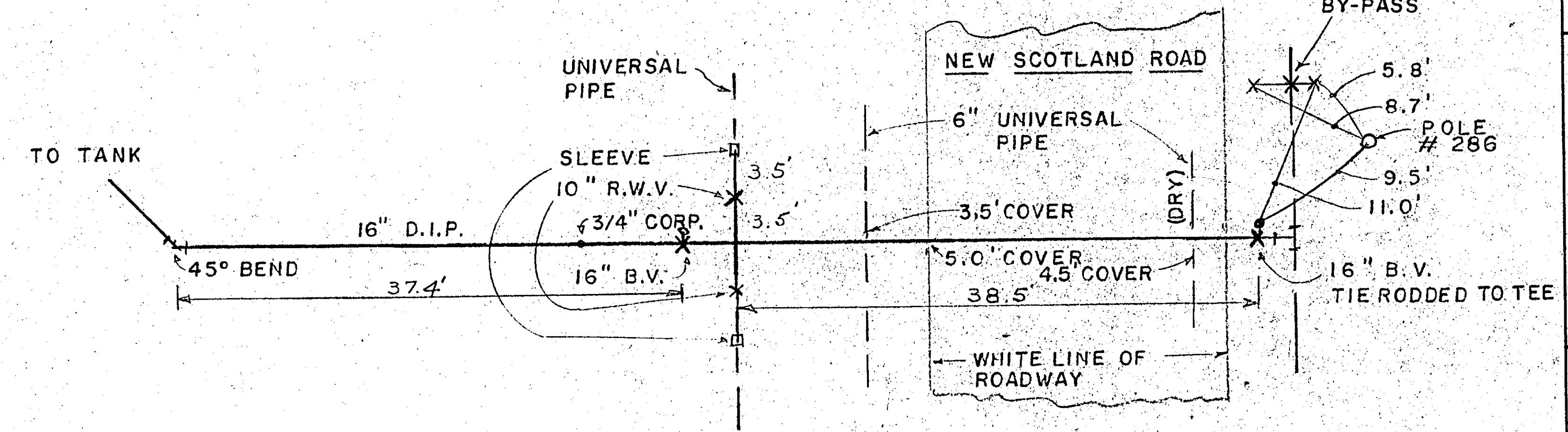
SHEET TITLE:
**SERVICE RESERVOIR
PROPOSED SITE PLAN**

DATE: SEPT. 1984 SHEET 4 OF 17



PROPOSED SITE PLAN

SCALE: 1"=50'



SCALE: 1"=10'

RECORD PLAN