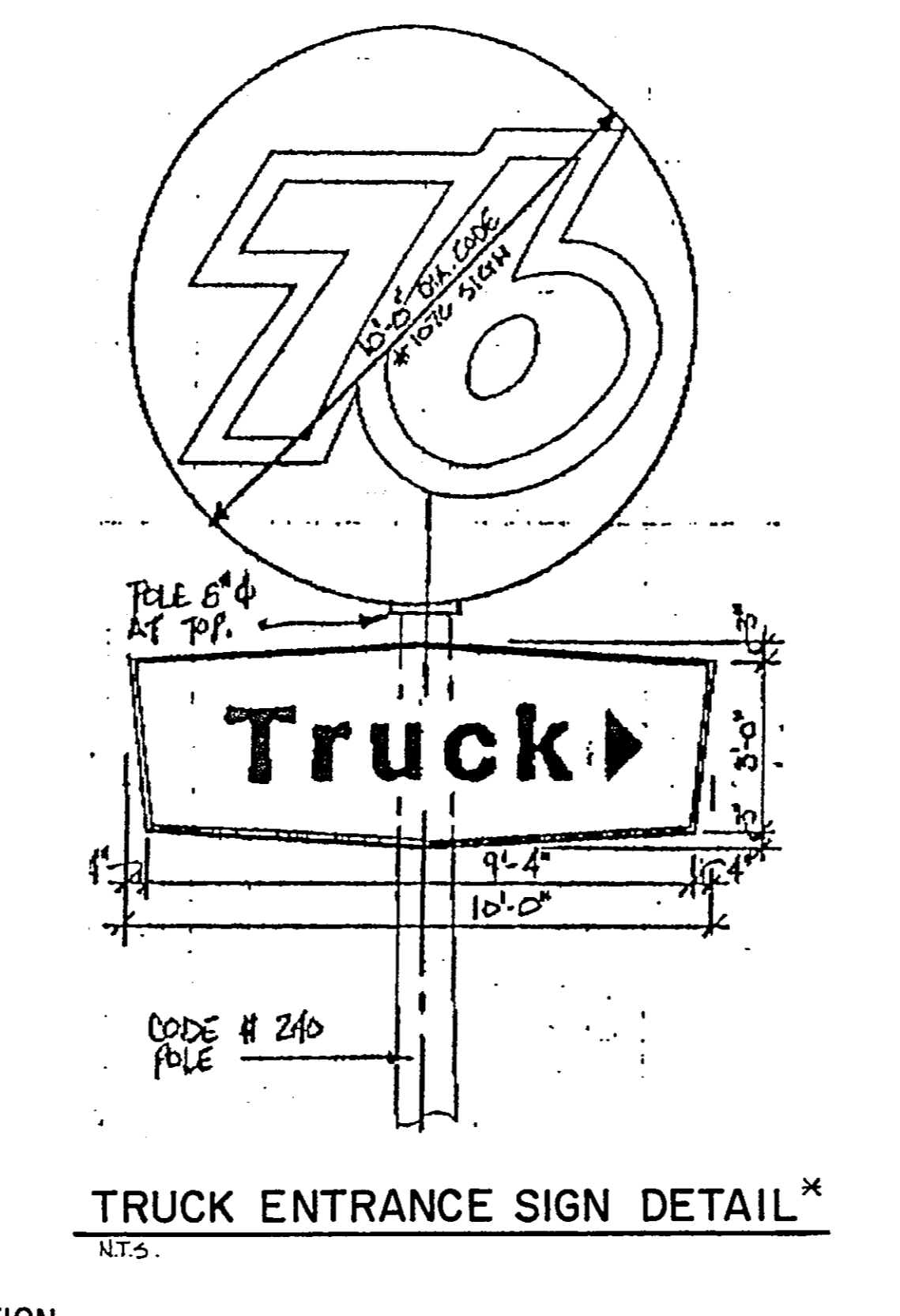
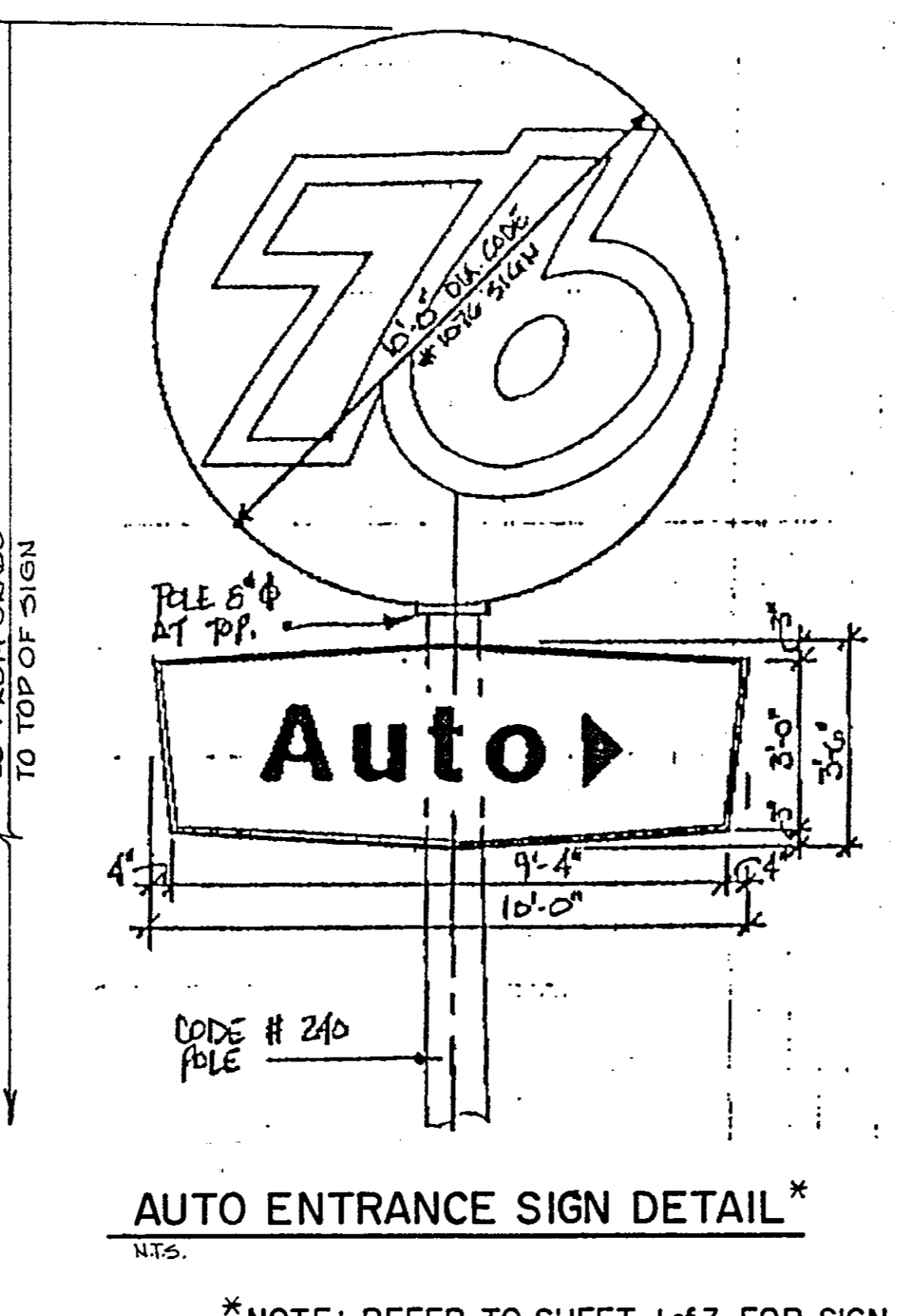
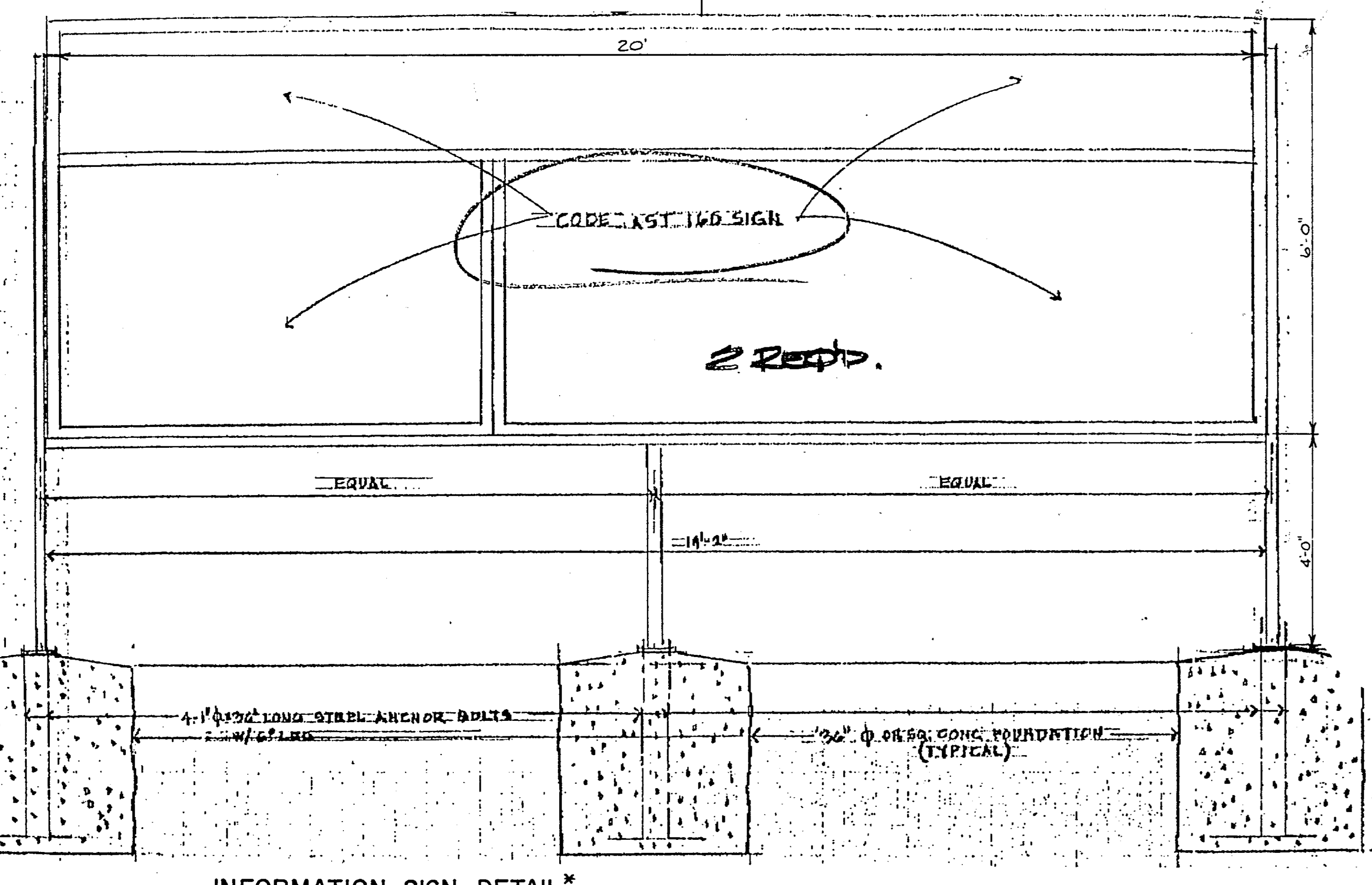
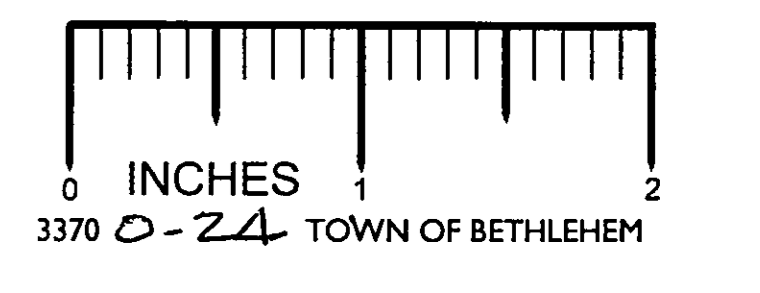


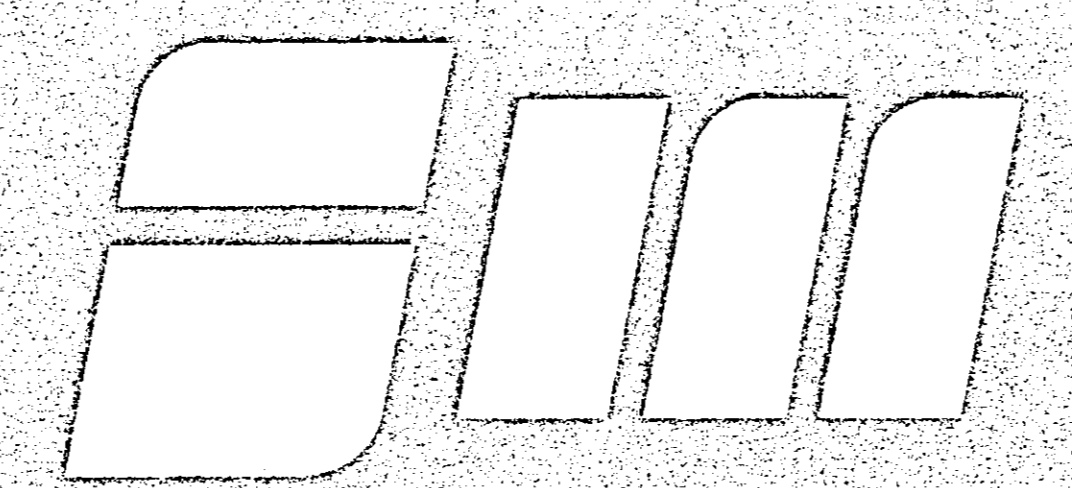
- LEGEND**
- EXISTING:**
- - - - - PROPERTY LINE
  - - - - - CONTOUR
  - - - - - TREE LINE
  - - - - - STORM DRAIN AND HEADWALL
  - - - - - STORM DRAIN AND CATCH BASIN
- PROPOSED:**
- - - - - EDGE OF PAVEMENT
  - - - - - 6' HIGH SECURITY FENCING
  - - - - - 6' HIGH SCREEN FENCING
  - - - - - CONTOUR
  - - - - - SPOT ELEVATION
  - - - - - STORM LINE AND CATCH BASIN
  - - - - - STORM LINE AND CATCH BASIN/MANHOLE
  - - - - - STORM LINE AND FLARED END SECTION
  - - - - - SANITARY LINE AND MANHOLE
  - - - - - SANITARY LINE AND CLEAN-OUT
  - - - - - WATER SERVICE



\*NOTE: REFER TO SHEET 1 of 3 FOR SIGN LOCATION



TOWN OF BETHELEH COMMENTS	REVISIONS	PKT.	L.T.S.	1-3-91
#	revisions	drawn by	app'd by	date



**SMITH & MAHONEY, P.C.**  
 CONSULTING ENGINEERS • SURVEYORS  
 LAND PLANNERS  
 79 NORTH PEARL STREET ALBANY, NEW YORK

designed by C.J.S.  
 drawn by R.A.M.  
 checked by C.J.S.  
 approved by \_\_\_\_\_  
 scale 1" = 50'  
 date OCTOBER 1, 1990

signature \_\_\_\_\_

**UNOCAL**

UNOCAL CORPORATION  
 1595 SOUTHEAST AVENUE  
 P.O. BOX 327  
 TALLMADGE, OHIO 44278

CONCEPT SITE GRADING & UTILITY PLAN  
 FOR  
 UNOCAL TRUCK/AUTO STOP  
 AT EXIT 22 OF N.Y.S. THRUWAY & ROUTE 144  
 TOWN OF BETHELEH  
 STATE OF NEW YORK

ALBANY COUNTY

sheet number	2 of 4
rev. no.	dwg. no.