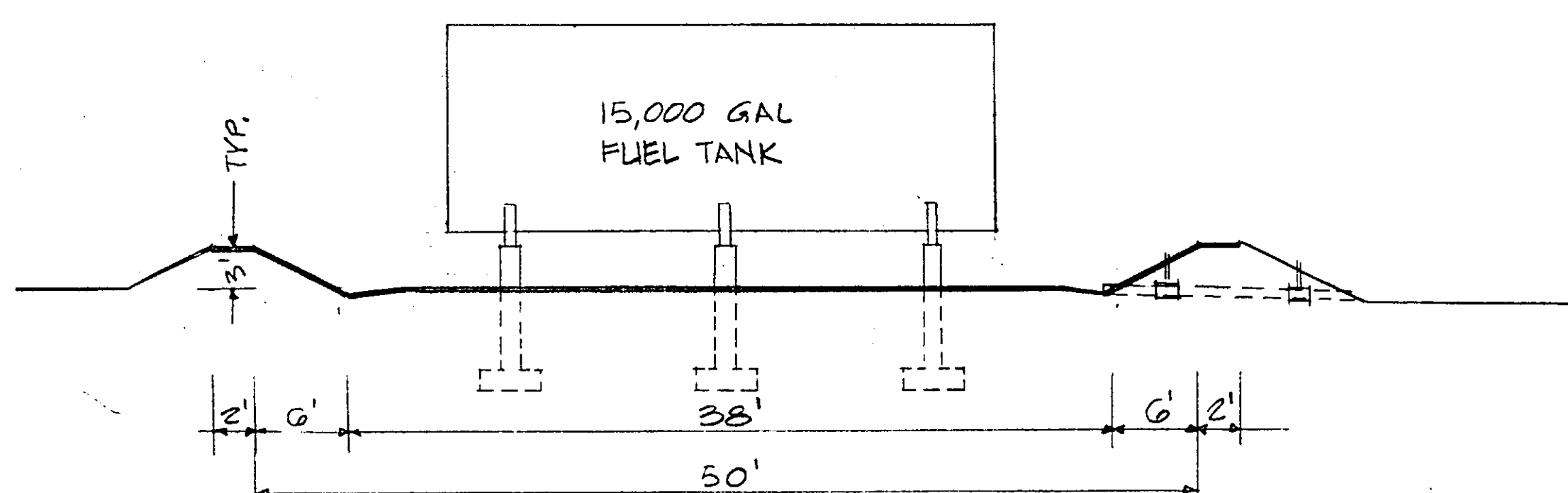
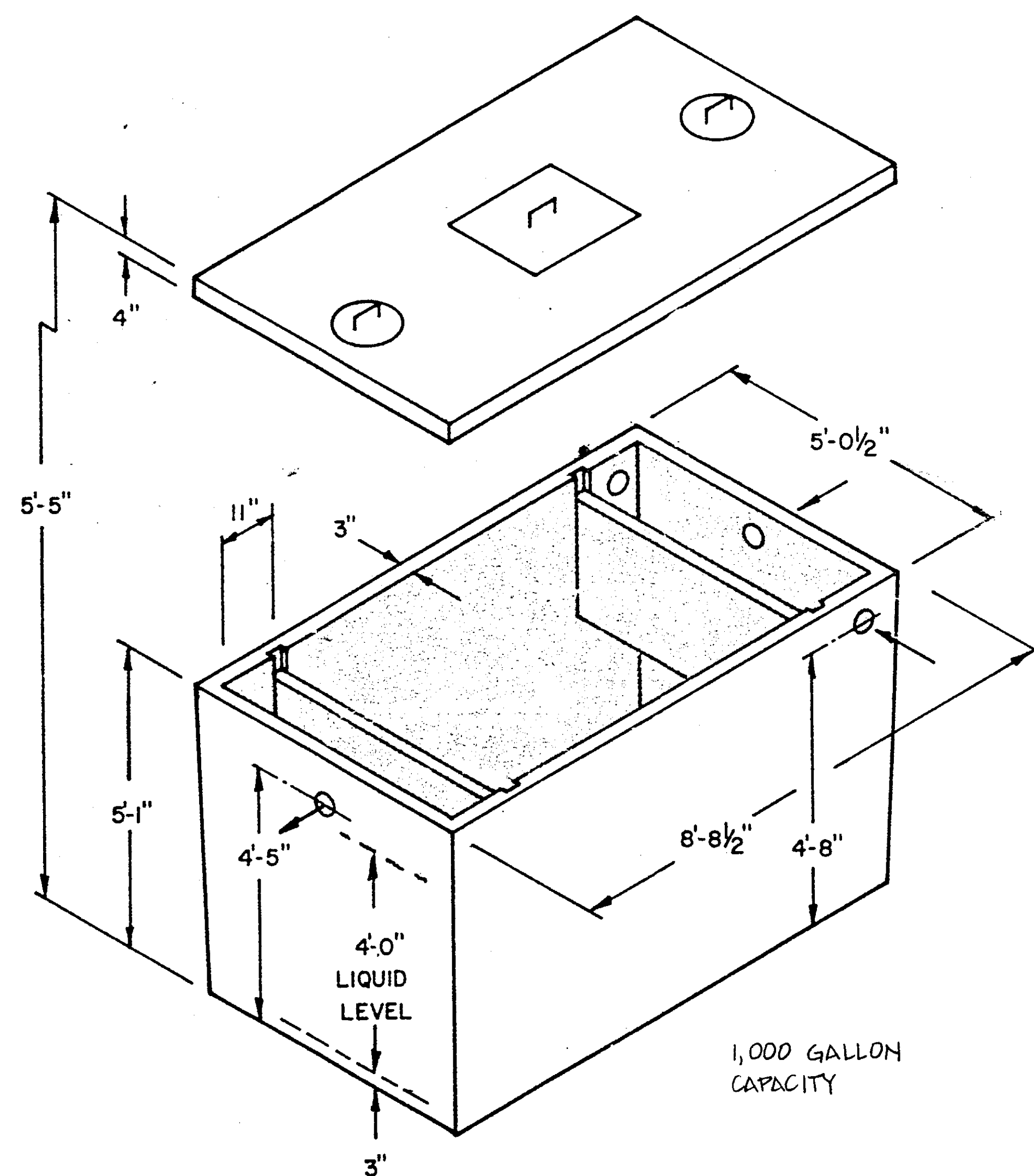


**CONTAINMENT LINER AND
STONE BALLAST DETAIL**
N.T.S.



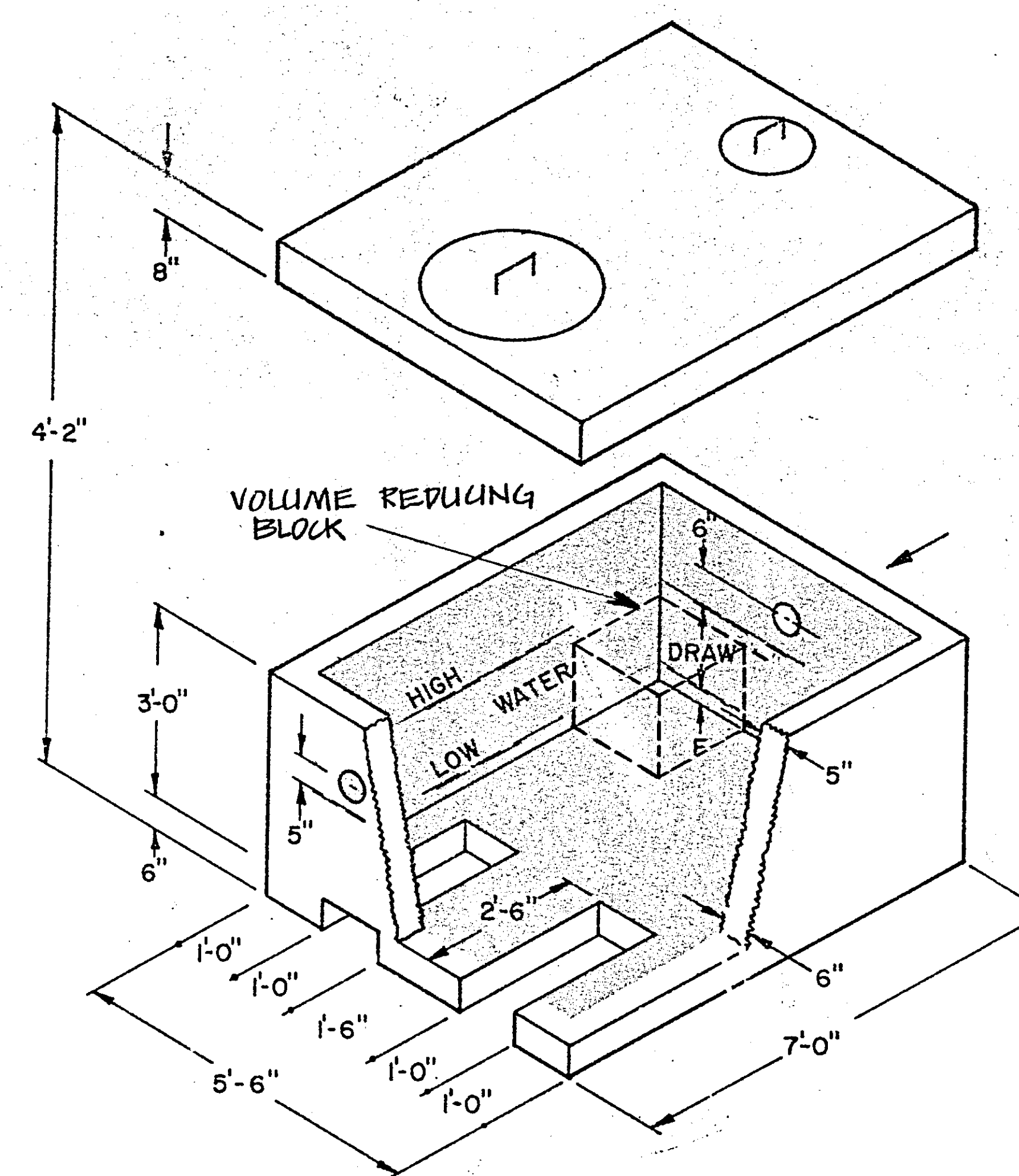
SECTION A-A
N.T.S.



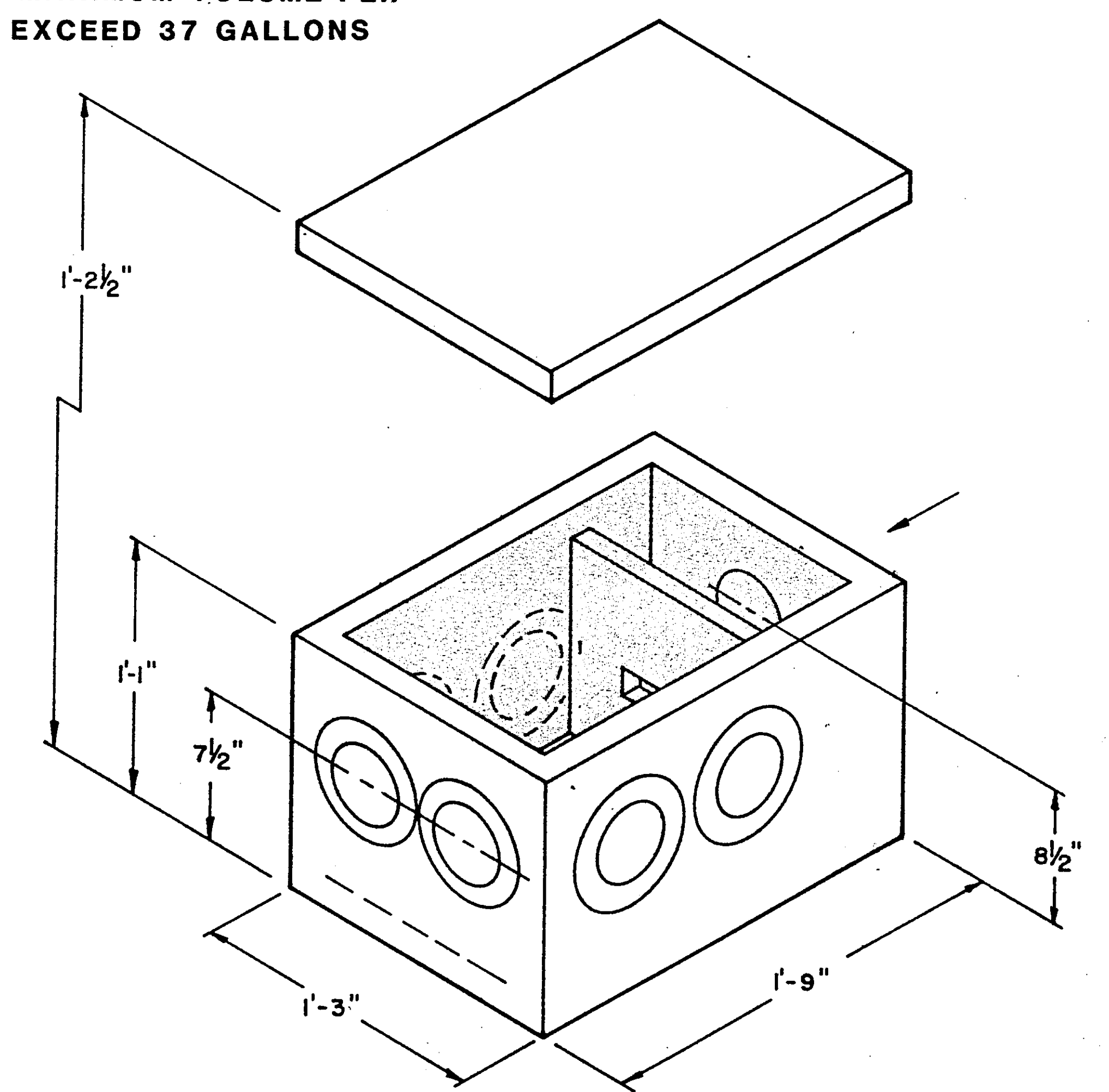
SEPTIC TANK DETAIL
N.T.S.

SIPHON SIZE	F"	SINGLE SIPHON DRAW DOSE	DBL. ALT. SIPHON DRAW DOSE
3"	3"	13"	210 GAL.
			12"
			194 GAL.

INSTALL VOLUME REDUCING BLOCKS TO INSURE THAT MAXIMUM VOLUME PER DOSE WILL NOT EXCEED 37 GALLONS

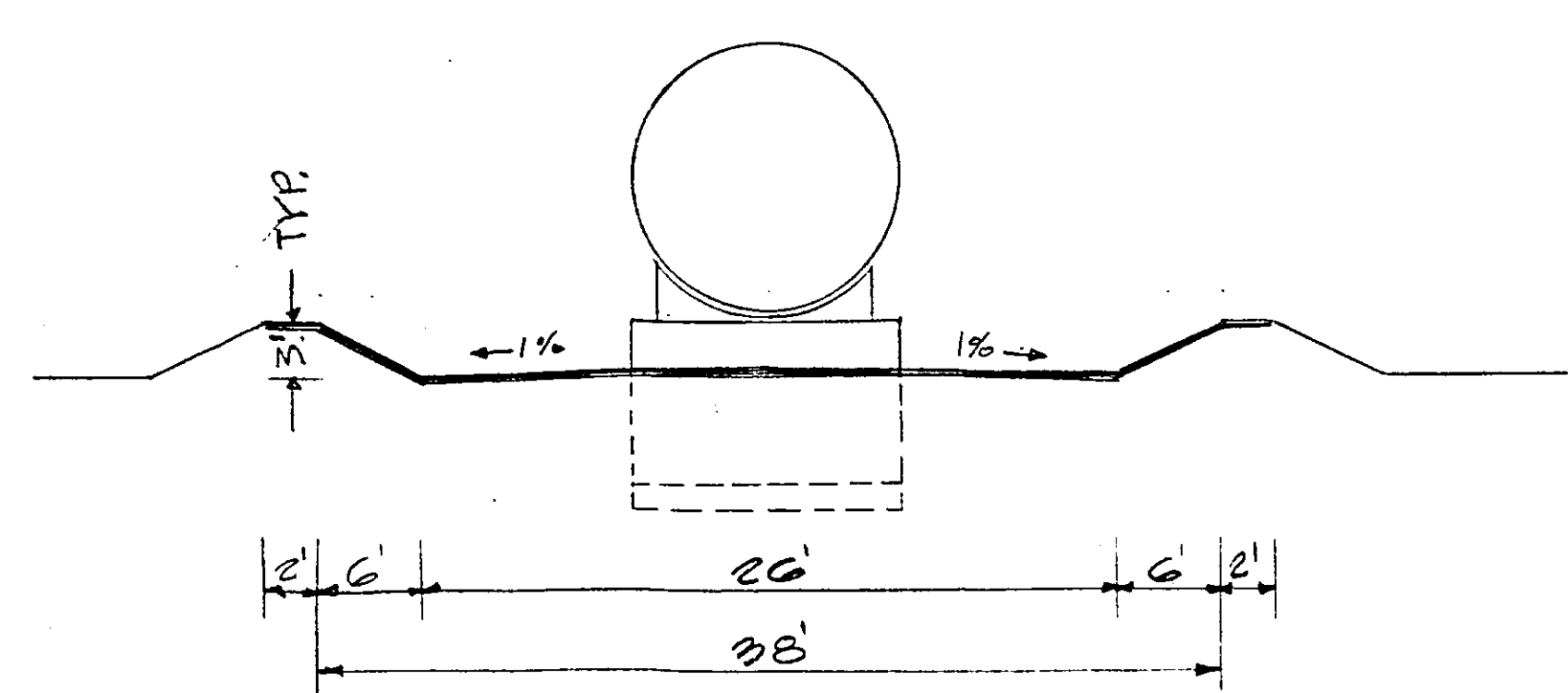


DOSING TANK DETAIL
N.T.S.

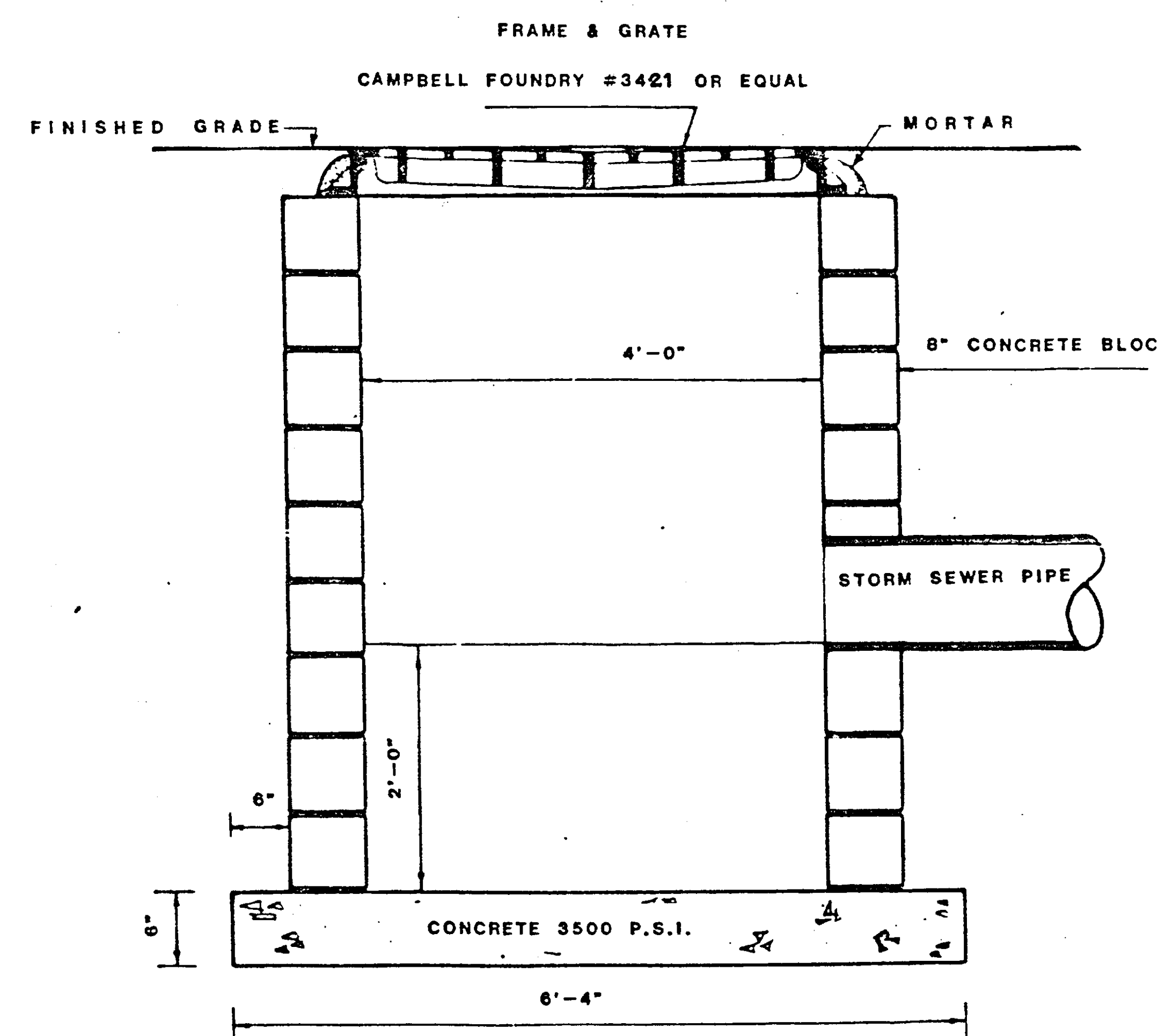


TOP, BOTTOM, & SIDES ALL 1/2" THICK

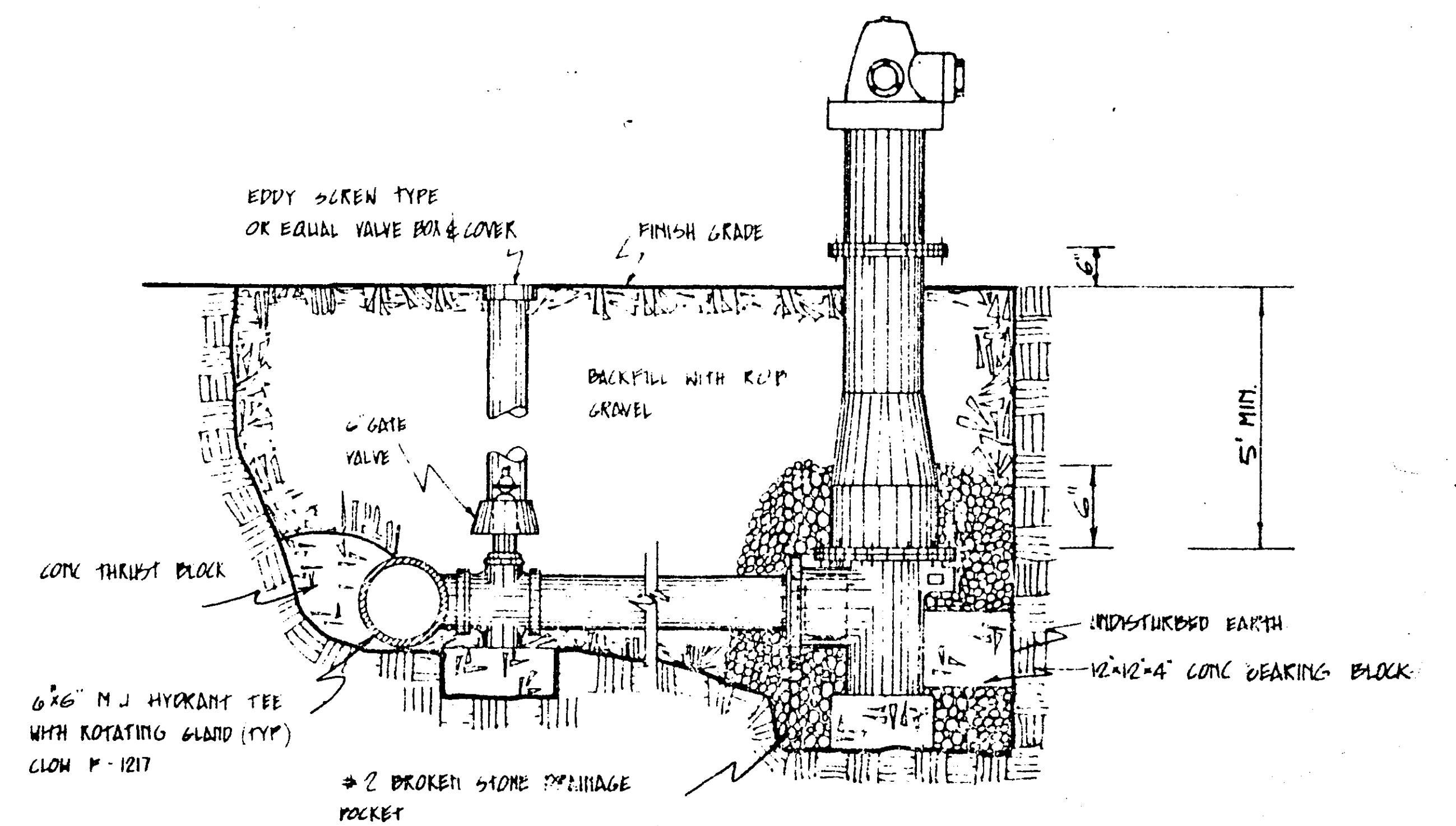
DISTRIBUTION BOX DETAIL
N.T.S.



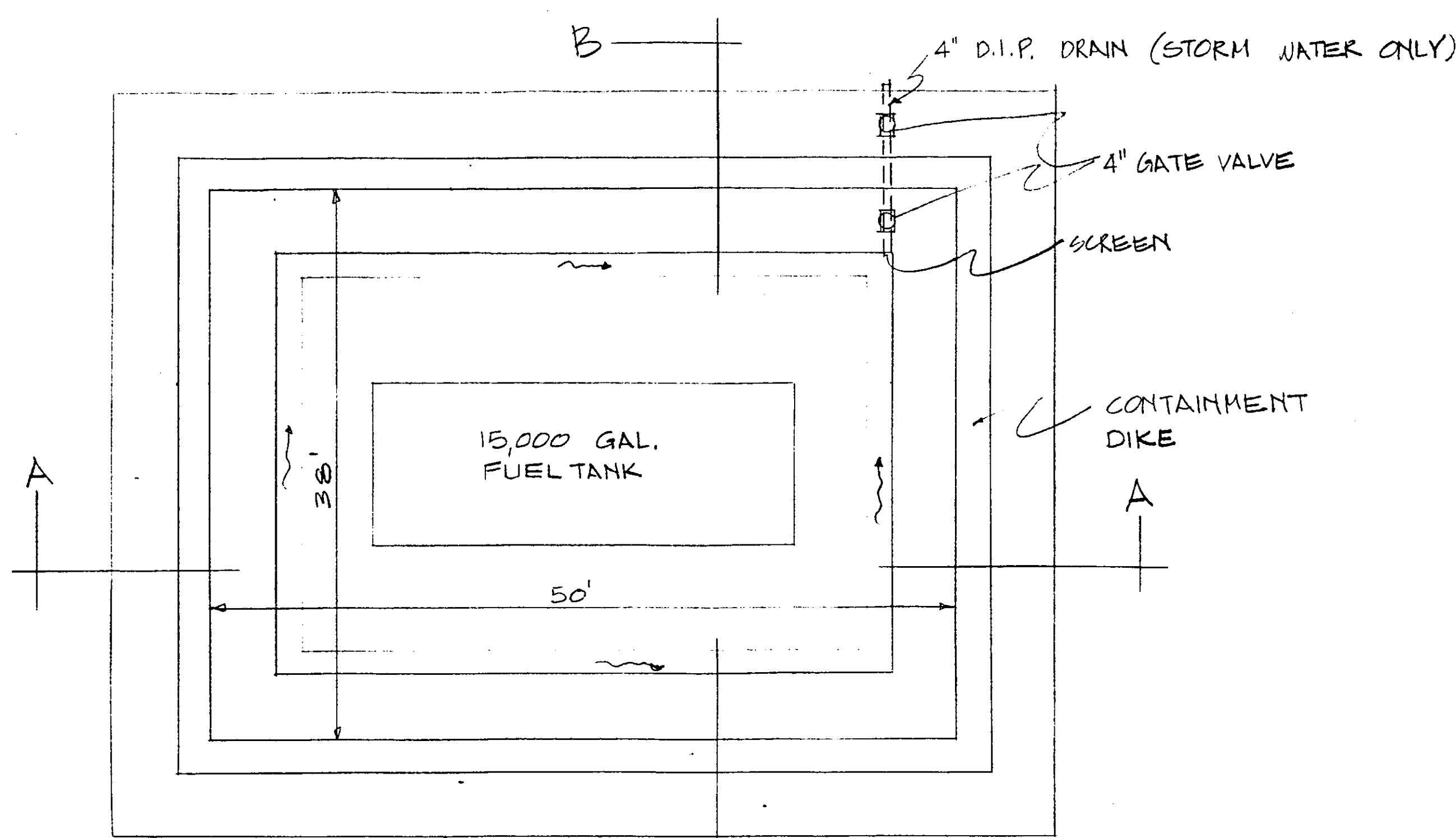
SECTION B-B
N.T.S.



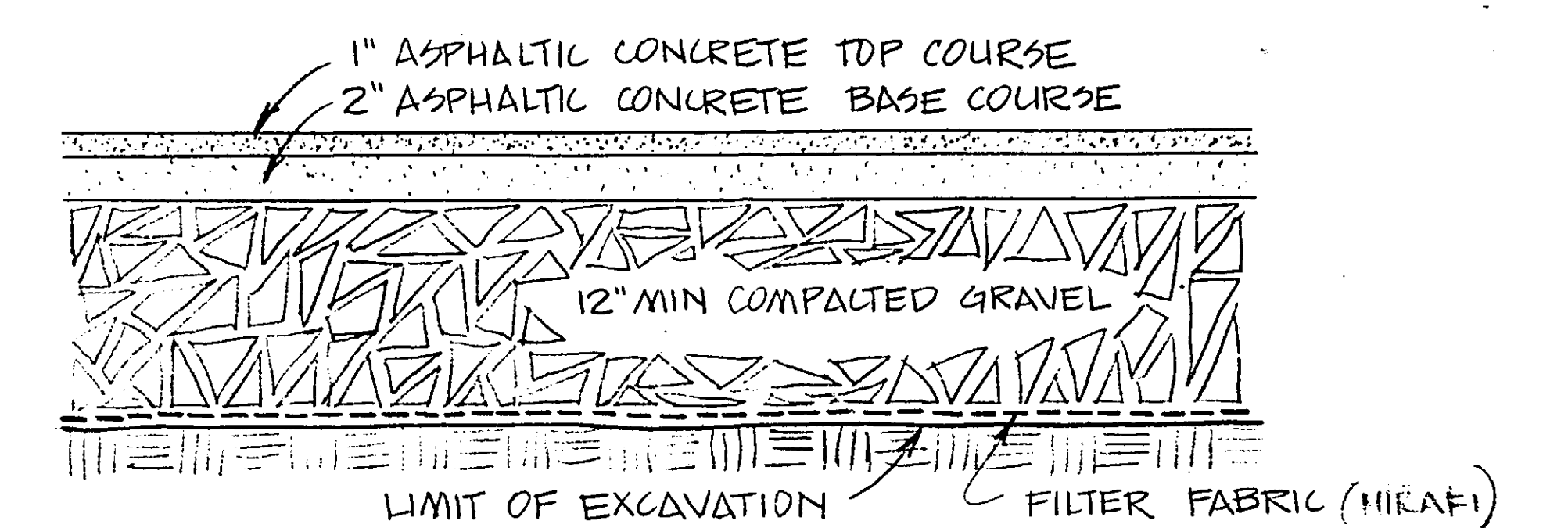
CATCH BASIN DETAIL
INTERIOR DIM. 4'-0" x 4'-0" N.T.S.



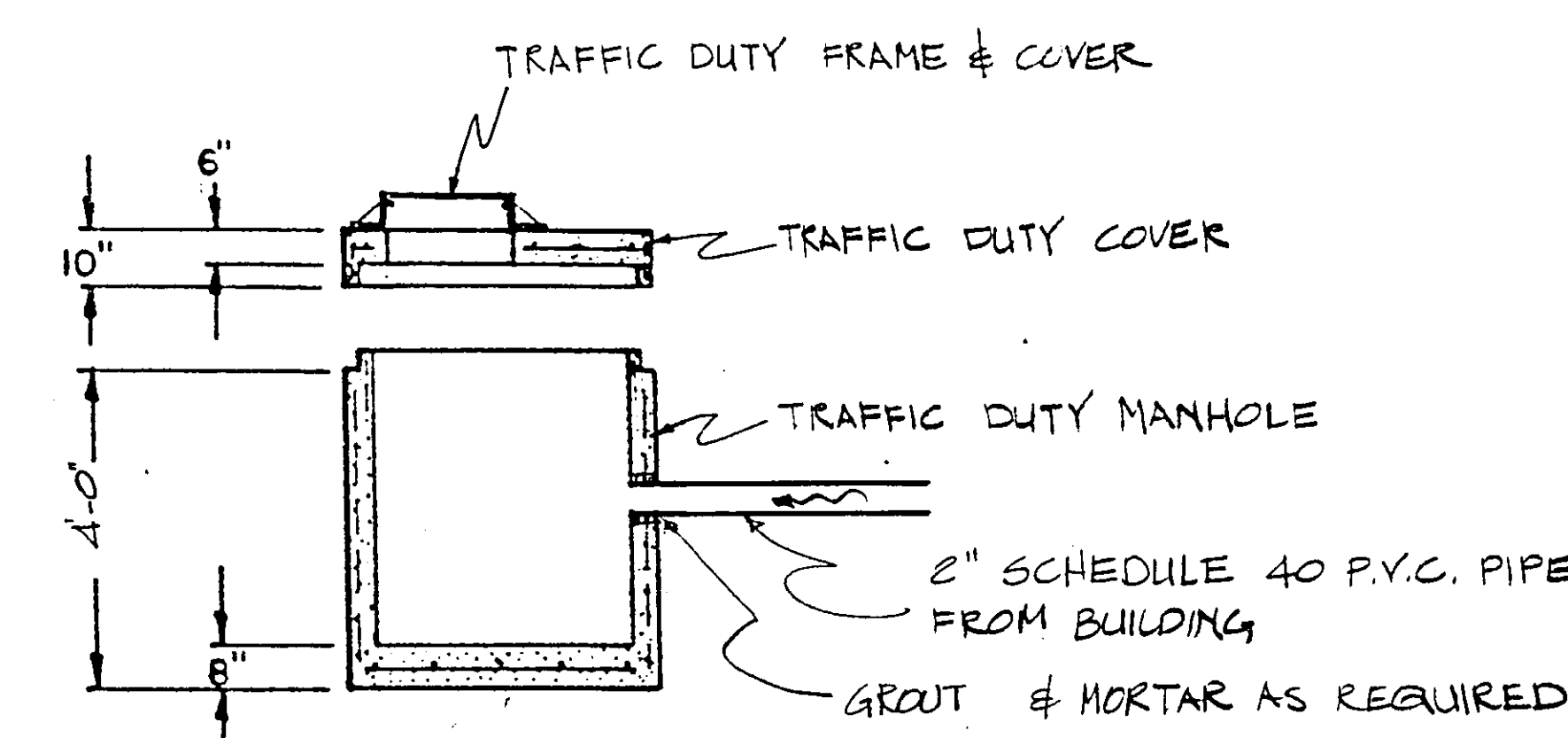
HYDRANT DETAIL
N.T.S.



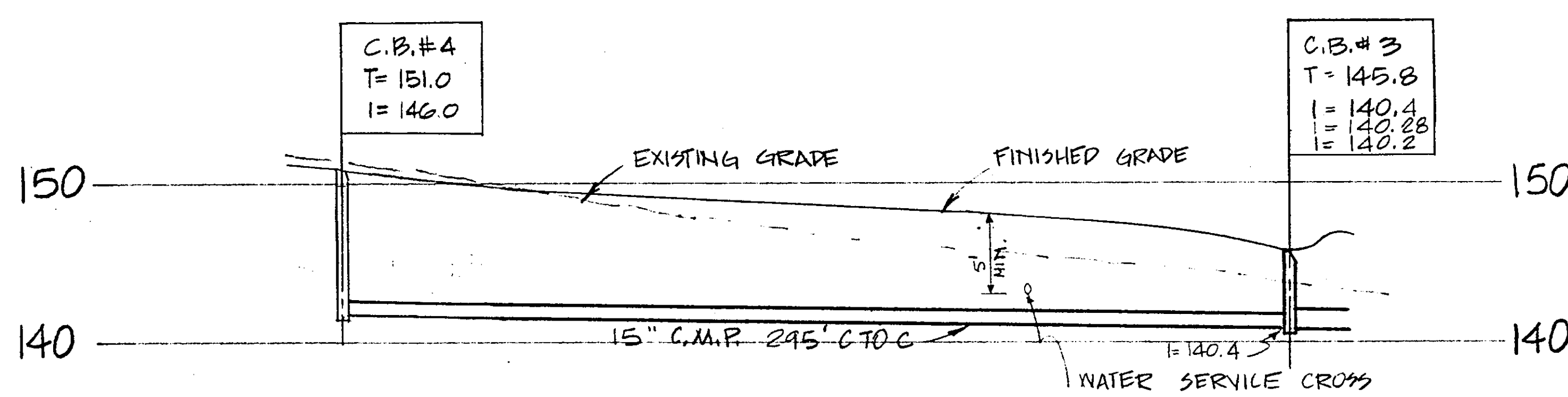
CONTAINMENT DIKE PLAN
N.T.S.



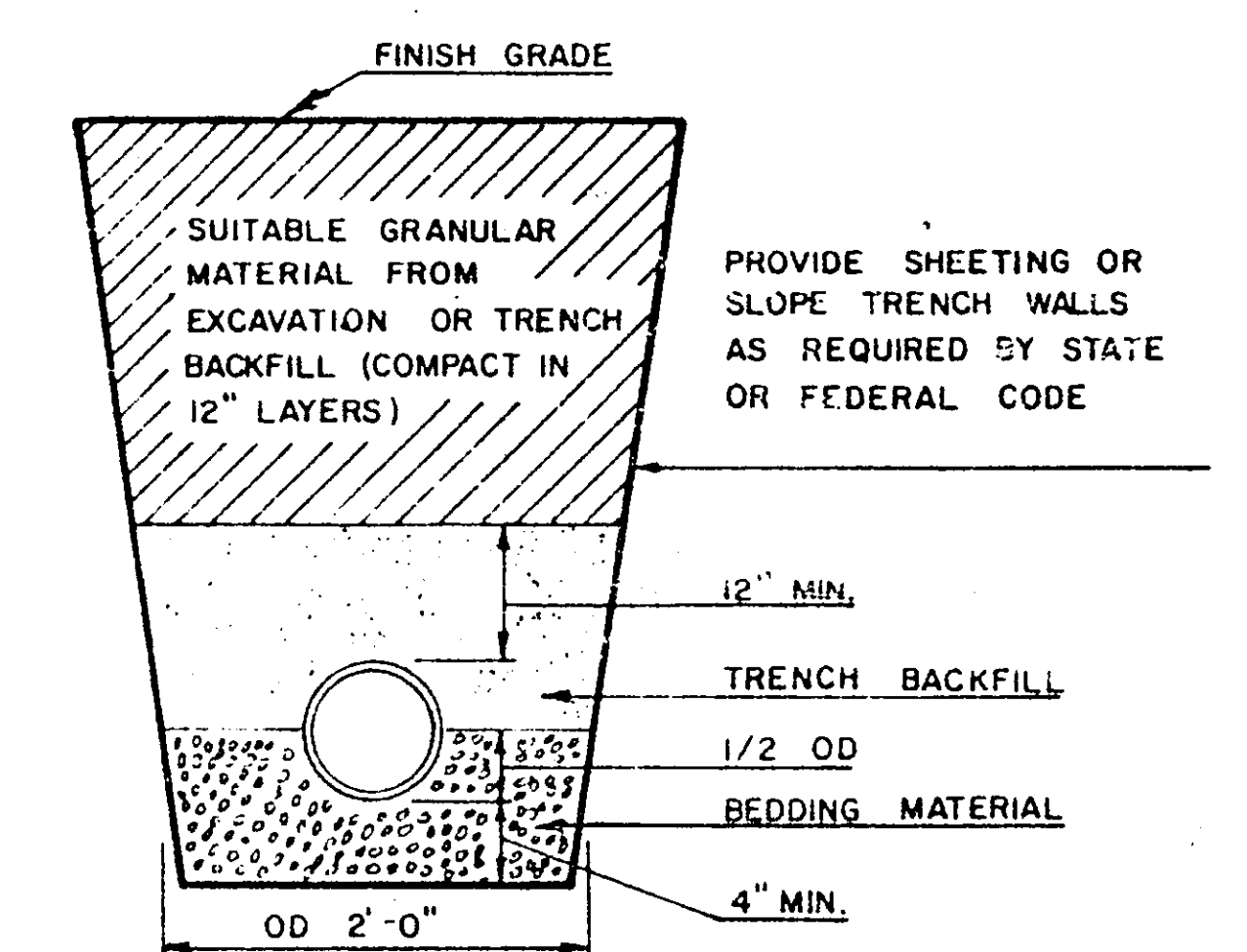
PAVEMENT DETAIL
N.T.S.



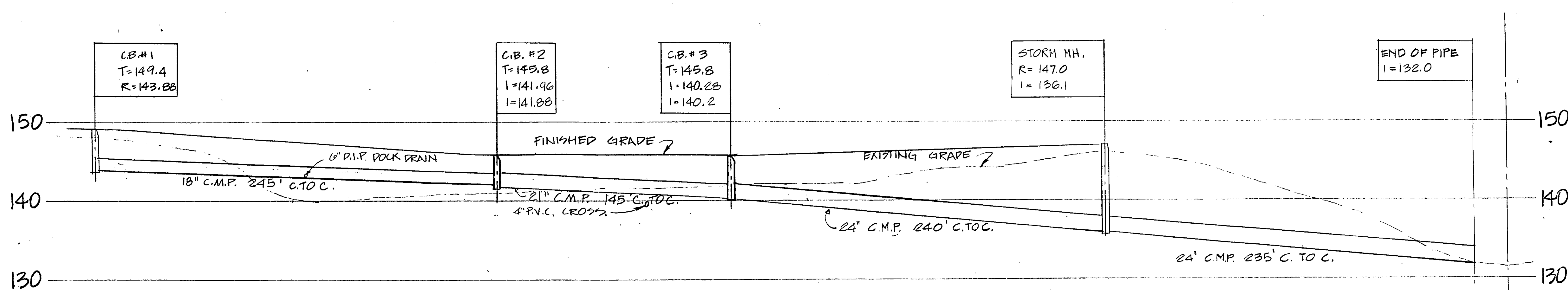
CONTAINMENT STORAGE FOR SOLVENT
N.T.S.



STORM SEWER PROFILE
HORIZONTAL, 1" = 50' VERTICAL, 1" = 10'



TYPICAL TRENCH DETAIL
N.T.S.

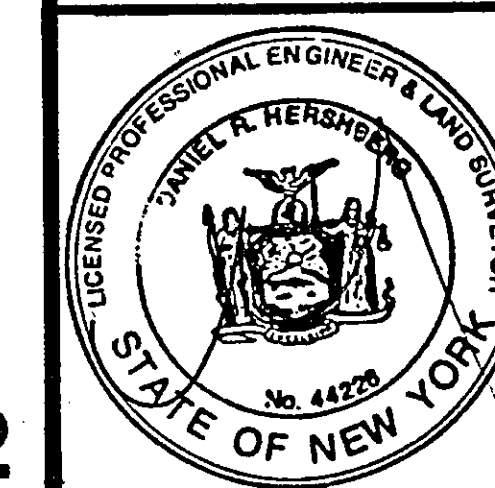


STORM SEWER PROFILE
HORIZONTAL, 1" = 50' VERTICAL, 1" = 10'

ALBANY COUNTY DEPARTMENT OF HEALTH
DIVISION OF ENVIRONMENTAL HEALTH SERVICES.
By direction of the Commissioner of Health, these plans are hereby approved. See first sheet for date and signature.

REV: 8/22/80, 3/19/87

**PROPOSED SITE PLAN FOR
B&W TRANSPORTATION
RIVER ROAD - N.Y.S. ROUTE 144
TOWN OF BETHLEHEM,
ALBANY COUNTY, N.Y.**



HERSHBERG & HERSHBERG
CONSULTING ENGINEERS
LAND SURVEYORS
19 COLVIN AVENUE
ALBANY NY

DATE: 8/1/80
SCALE: AS NOTED
ALTERNATION OF THIS DOCUMENT, EXCEPT BY A LICENSED PROFESSIONAL ENGINEER OR LAND SURVEYOR, IS ILLEGAL.
BY: W.M. CHK: A.S.
FILE NO. 80-008