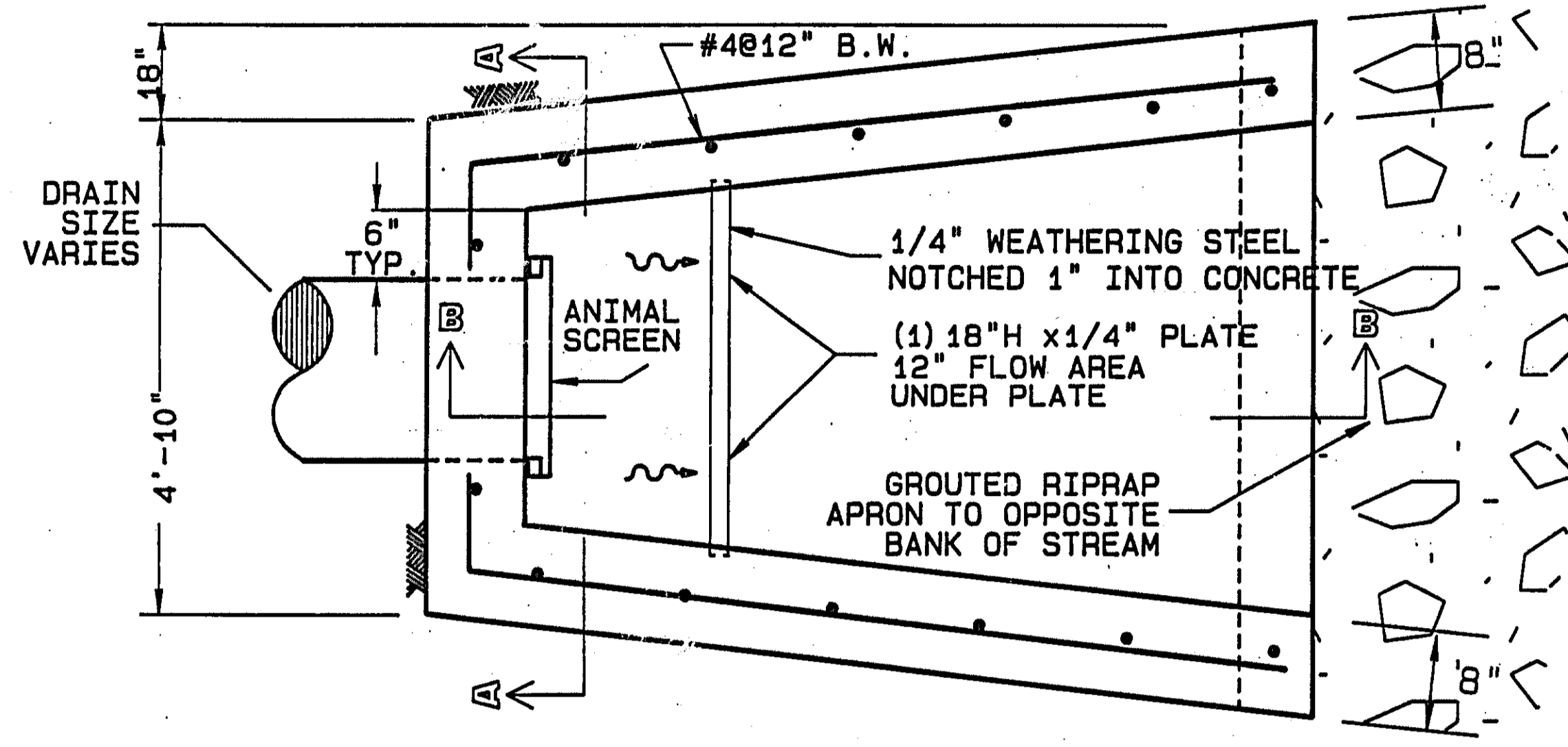
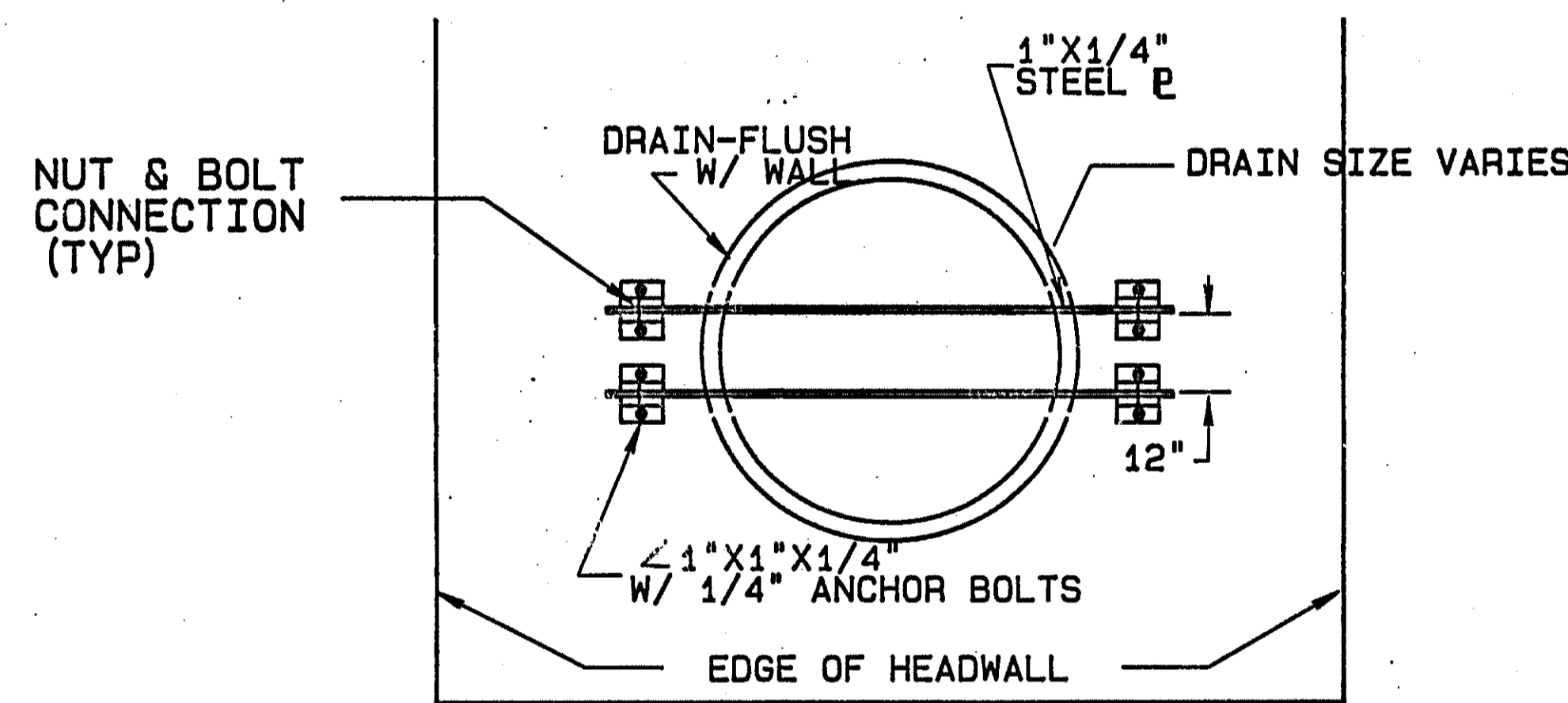


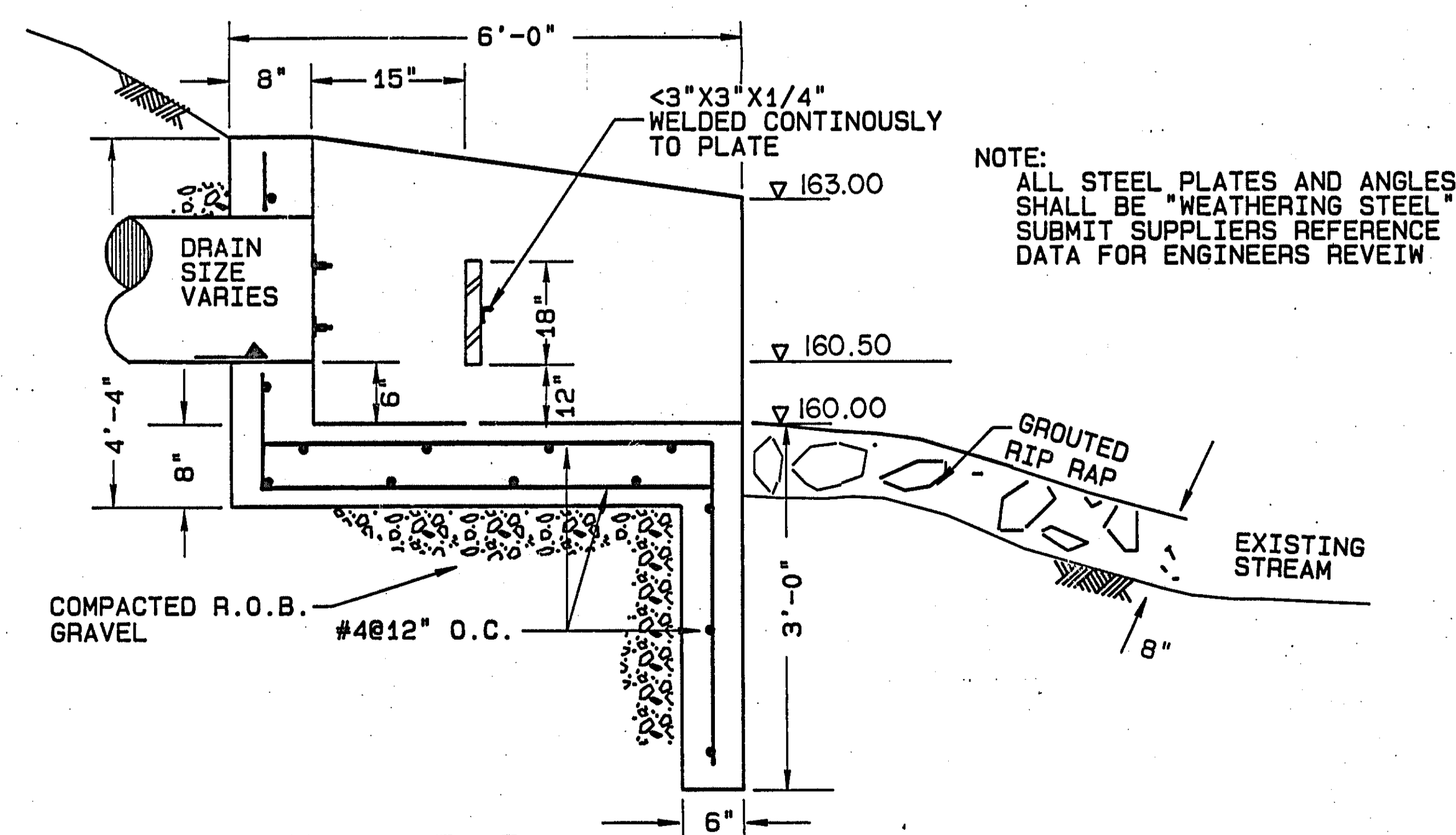
NOTE:
CONCRETE SHALL HAVE A COMPRESSIVE
STRENGTH OF 3500 PSI AFTER 28 DAYS



HEADWALL PLAN
NTS



SECTION A-A
ANIMAL SCREEN
NTS

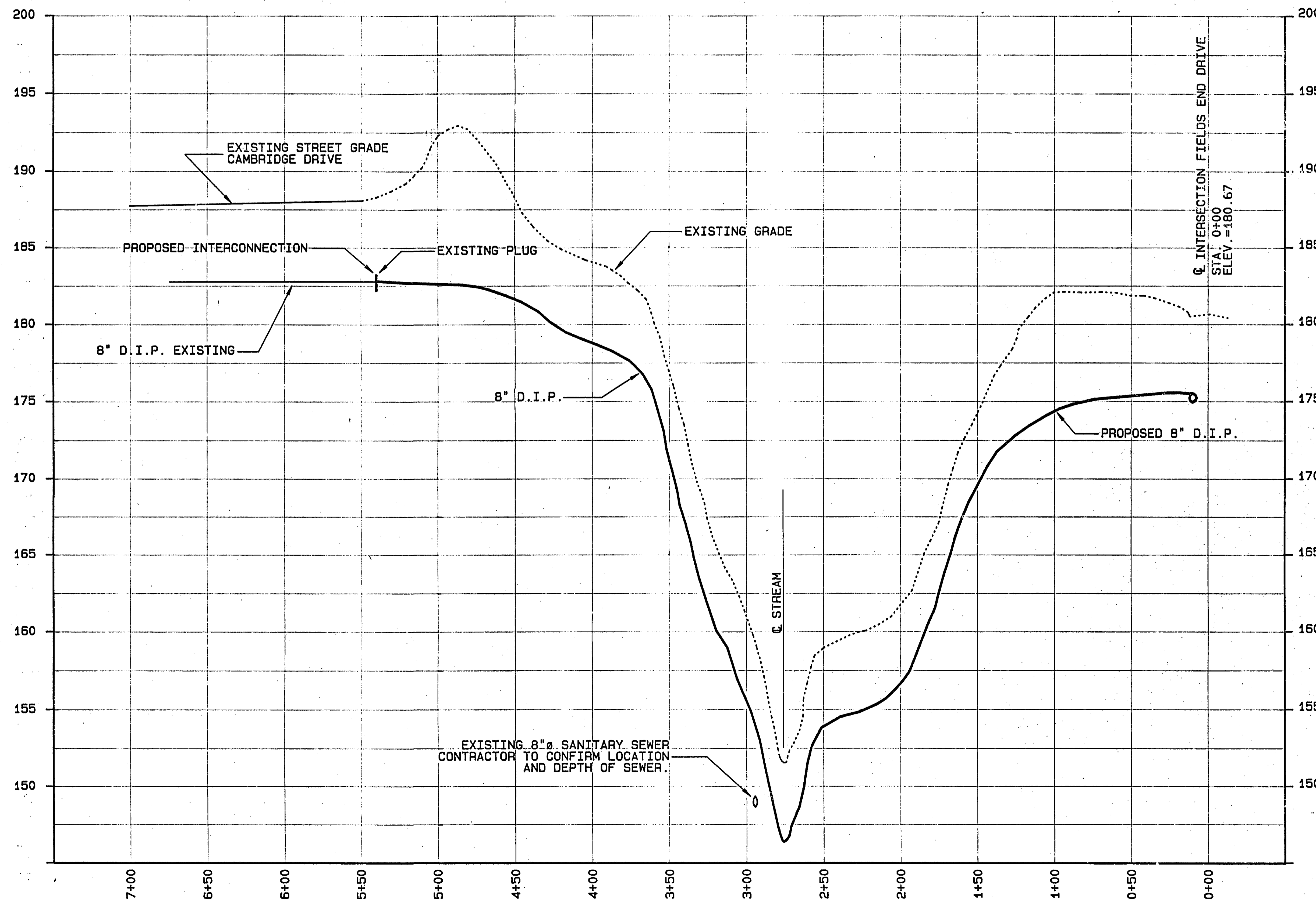
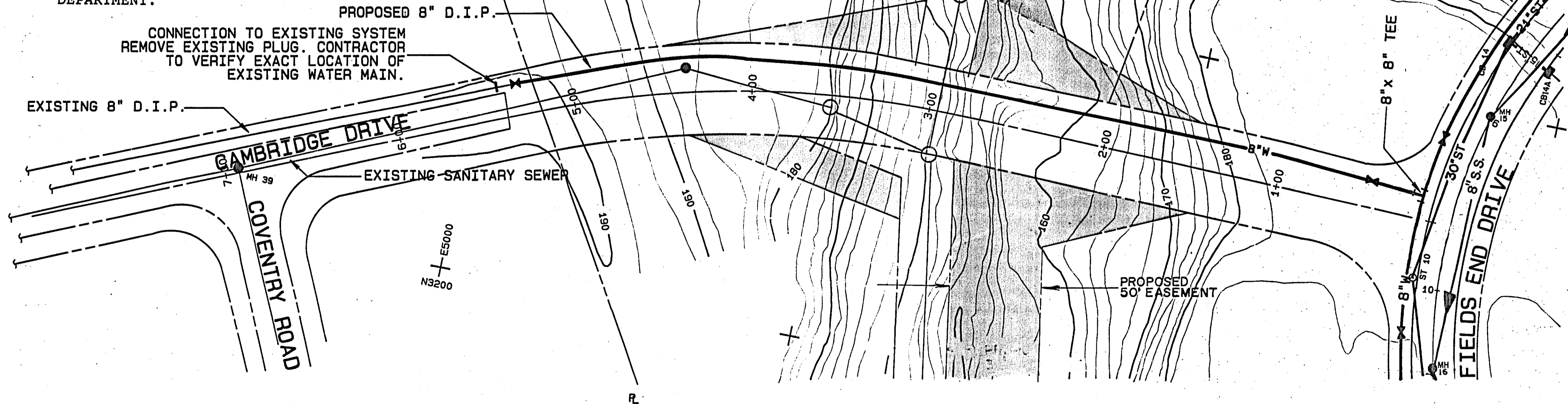


SECTION B-B
NTS

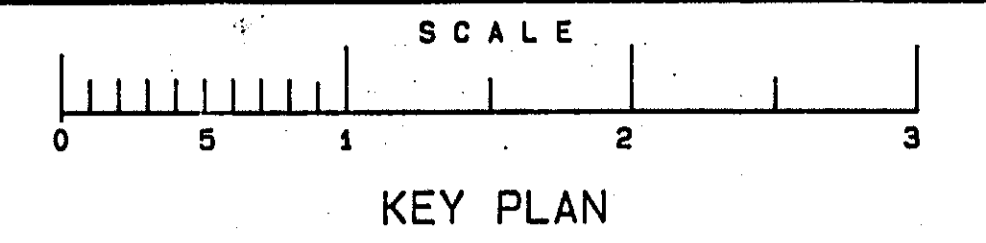
NOTE: SEWER LINES ARE TO BE INSTALLED UNDER THE SUPERVISION OF A NEW YORK STATE LICENSED PROFESSIONAL ENGINEER. ENGINEER SHALL SUBMIT A CERTIFICATE STATING THAT THE CONSTRUCTED FACILITIES HAVE BEEN CONSTRUCTED IN ACCORDANCE WITH THE APPROVED PLANS. CERTIFICATION MUST BE RECEIVED BY THE ALBANY COUNTY HEALTH DEPARTMENT WITHIN SIXTY (60) DAYS FROM THE COMPLETION OF CONSTRUCTION.

NOTE: WATER QUALITY-TYPE PIPE MATERIAL (D.I.P. OR PVC SDR 26) MUST BE UTILIZED FOR SANITARY AND STORM SEWERS IN AREAS WHERE A TEN FOOT HORIZONTAL OR 18" VERTICAL SEPARATION DISTANCE FROM WATER MAINS CANNOT BE MAINTAINED.

NOTE: ALL WATER MAINS ARE TO BE INSTALLED, DISINFECTED, AND TESTED IN ACCORDANCE WITH AWWA STANDARD C601 OR OTHER METHOD ACCEPTABLE TO THE ALBANY COUNTY HEALTH DEPARTMENT.



PLAN & PROFILE - PROPOSED WATER INTERCONNECTION
SCALE: HORIZ. 1"=50'
VERT. 1"=5'



NOTES
ALL CONSTRUCTION DISTURBANCES ON STATE OR PRIVATE LAND TO BE RESTORED BY CONTRACTOR

UNAUTHORIZED ALTERATIONS OR ADDITIONS TO THIS DOCUMENT IS A VIOLATION OF SECTION 7209 SUBDIVISION 2 OF THE NEW YORK STATE EDUCATION LAW

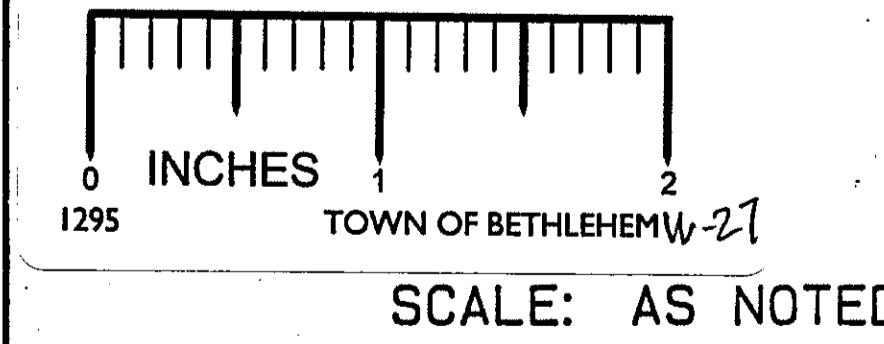
DATE	BY	DESCRIPTION	SYMBOL
12/89	JB	UTILITIES EDITED PER FINAL GRADING	
3/17/90	JB	FINAL REVISIONS	NONE
4/19/90	JB	DOH EDITS	NONE

J. KENNETH FRASER
AND ASSOCIATES, P.C.
CONSULTING ENGINEERS
RENSELAER, NEW YORK

R & R
ASSOCIATES

THE MEADOWS
SUBDIVISION

TOWN OF BETHLEHEM
NEW YORK



PROJ. ENG'R: JFB
DRAWN BY: HLW
ASSEMBLED BY: EJS
CHECKED BY: JFK

REF. NO. 238645.021
SHEET TITLE: HEADWALL DETAILS,
COLONIAL ACRES INTERCONNECTION

DATE: JANUARY 1987 SHEET 21 OF 26