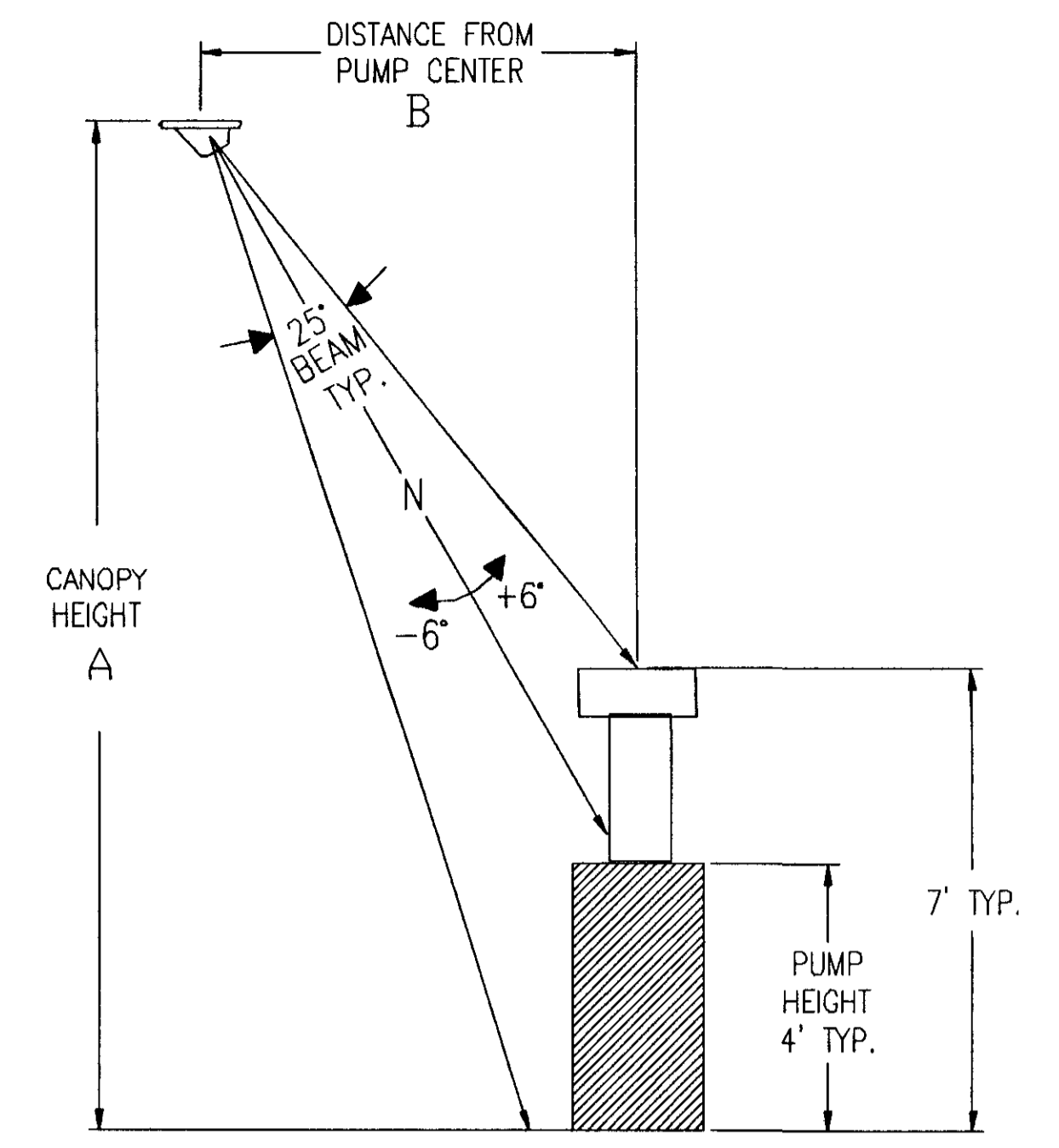
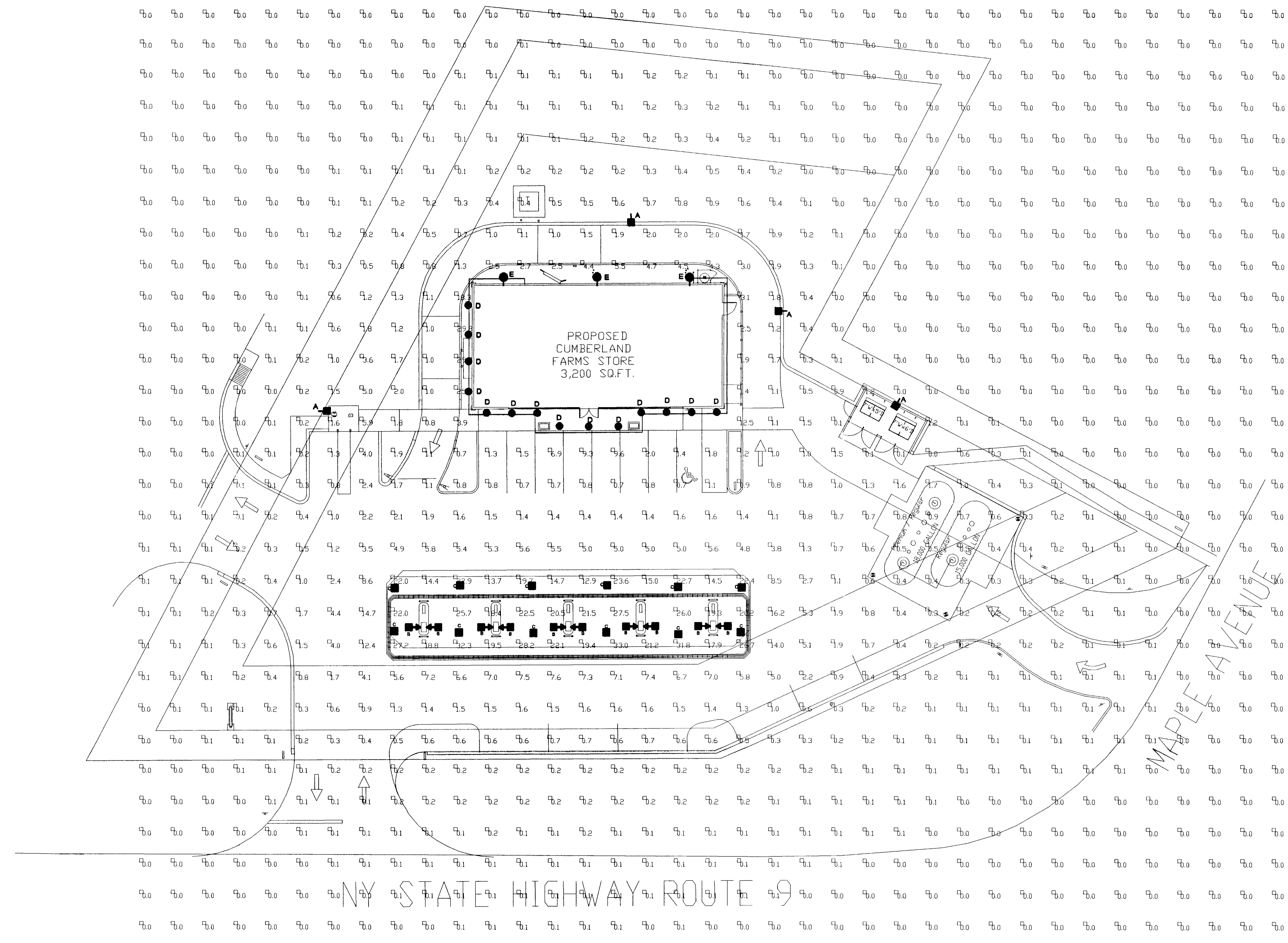
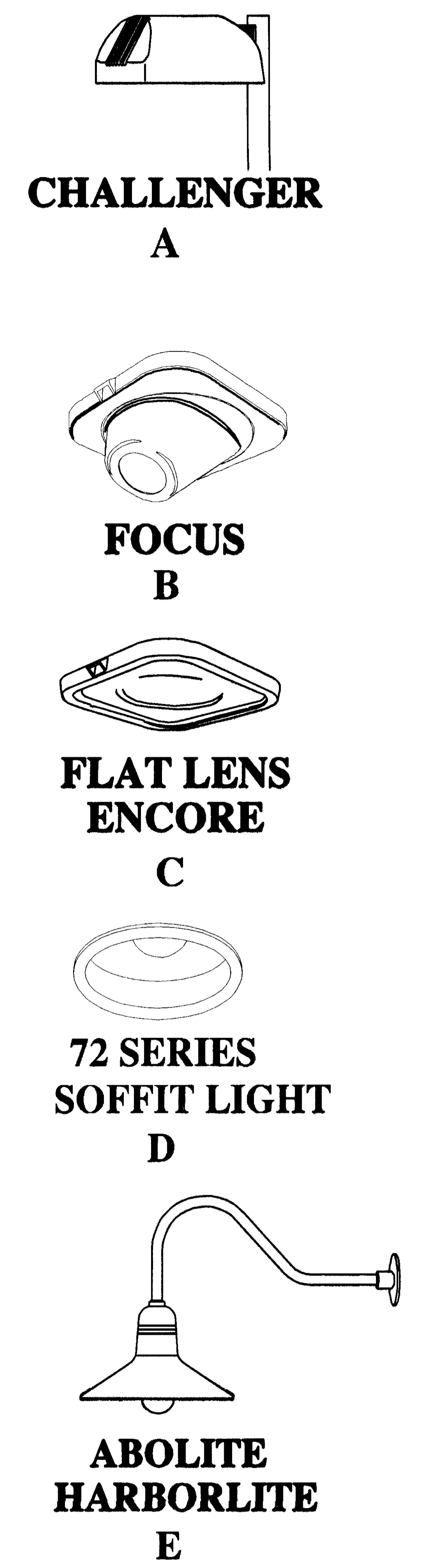


Proposed Site Lighting Plan

SOUTH BETHLEHEM, NEW YORK
V# 1917



LAMP LAYOUT FOR 25° FLOOD

| A VERTICAL HEIGHT OF CANOPY | B HORIZONTAL DISTANCE FROM CENTER OF DISPENSER TO CENTER OF FIXTURE | | | | | | | | | |
|--------------------------------------|---|------|----|------|------|----|------|------|-----|--|
| | 4'8" | 5'4" | 6' | 6'8" | 7'4" | 8' | 8'8" | 9'4" | 10' | |
| 16' | -6 | -6 | -6 | N | N | N | N | +6 | +6 | |
| 15 1/2' | -6 | -6 | N | N | N | N | +6 | +6 | +6 | |
| 15' | -6 | -6 | N | N | N | N | +6 | +6 | +6 | |
| 14 1/2' | -6 | -6 | N | N | N | +6 | +6 | +6 | +6 | |
| 14' | -6 | -6 | N | N | N | +6 | +6 | +6 | +6 | |

STATISTICS

| Description | Avg | Max | Min | Max/Min | Avg/Min |
|-------------------------|---------|---------|---------|---------|---------|
| Entire Calculation Zone | 1.4 fc | 33.0 fc | 0.0 fc | N / A | N / A |
| Gas Canopy | 21.8 fc | 33.0 fc | 12.9 fc | 2.6:1 | 1.7:1 |
| Inside Curbing | 5.5 fc | 33.0 fc | 0.1 fc | 330.0:1 | 55.0:1 |

LUMINAIRE SCHEDULE

| Symbol | Label | Qty | Catalog Number | Description | Location | Lamp | Lumens | LLF | Watts |
|--------|-------|-----|------------------------|-------------|---------------------|------------------------------------|--------|------|-------|
| ■ | A | 4 | CH1-3-400-MH-CT-HSS | CHALLENGER | SITE AREA LIGHT | 1- 400W CLEAR MH | 32000 | 0.72 | 454 |
| ■ | B | 10 | ECTA-SP-100-P-38-FO | FOCUS | CANOPY | 1- 100W PSMV BU (310) | 6000 | 0.72 | 129 |
| ■ | C | 12 | ECTA-S-175-PSMV-MTF | ENCORE | CANOPY | 1- 175W PSMV CLEAR BU | 16000 | 0.72 | 210 |
| ● | D | 14 | 72-MH-1-100W | 72 Series | BUILDING SOFFIT | (1) 100W MH ED17 RATED 8500 LUMENS | 8500 | 0.72 | 129 |
| ● | E | 3 | HBR-42-PL-GWT-AL15-PG4 | HARBOR | BUILDING EXT. WALLS | 1- 42W PL BU (302) | 3200 | 0.72 | 40 |

Based on the information provided, all dimensions and luminaire locations shown represent recommended positions. The engineer and/or architect must determine applicability of the layout to existing or future field conditions.

This lighting pattern represents illumination levels calculated from laboratory data taken under controlled conditions utilizing current industry standard lamp ratings in accordance with Illuminating Engineering Society approved methods. Actual performance of any manufacturer's luminaire may vary due to variation in electrical voltage, tolerance

Maintained foot-candle ratings at grade using a .72 maintenance factor.

