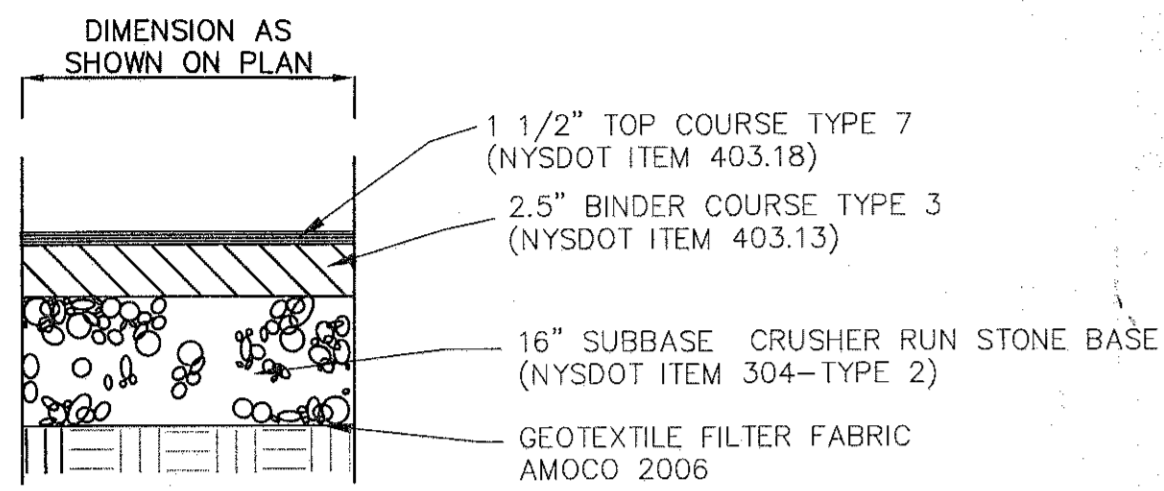


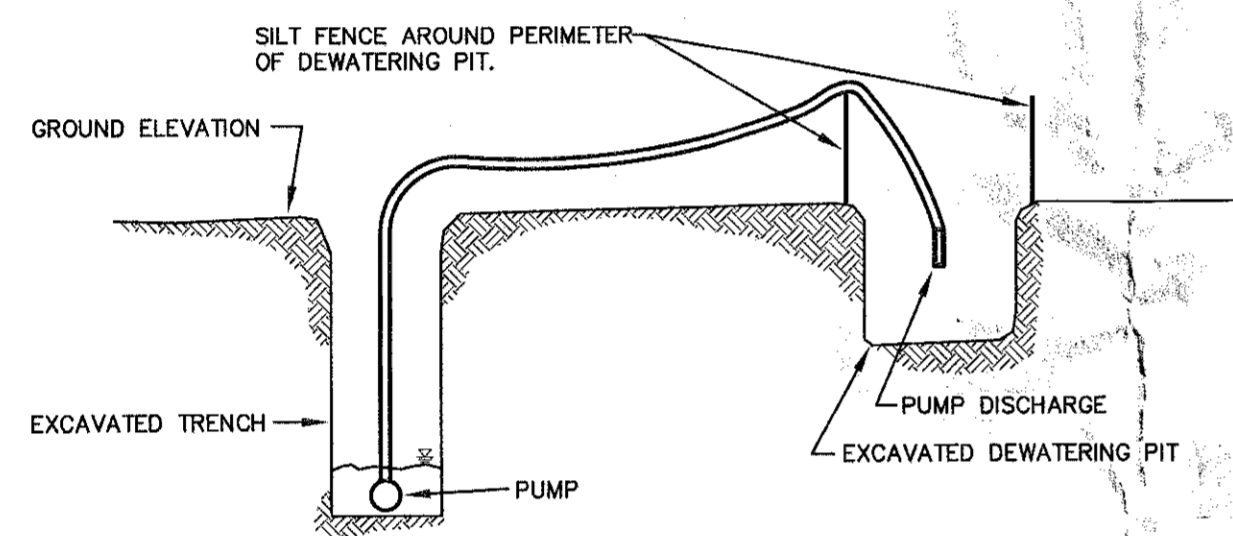
GRANITE CURB DETAIL

N.T.S.



ASPHALT PAVEMENT SECTION

(NOT TO SCALE)

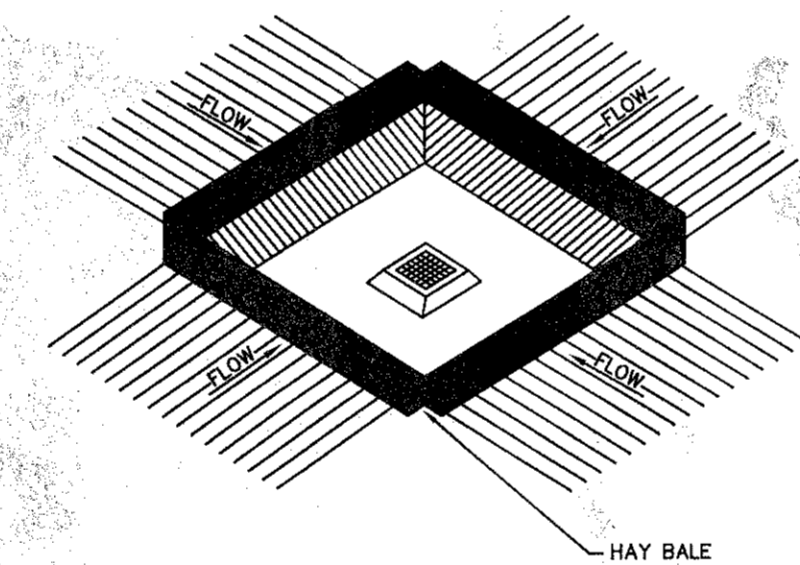
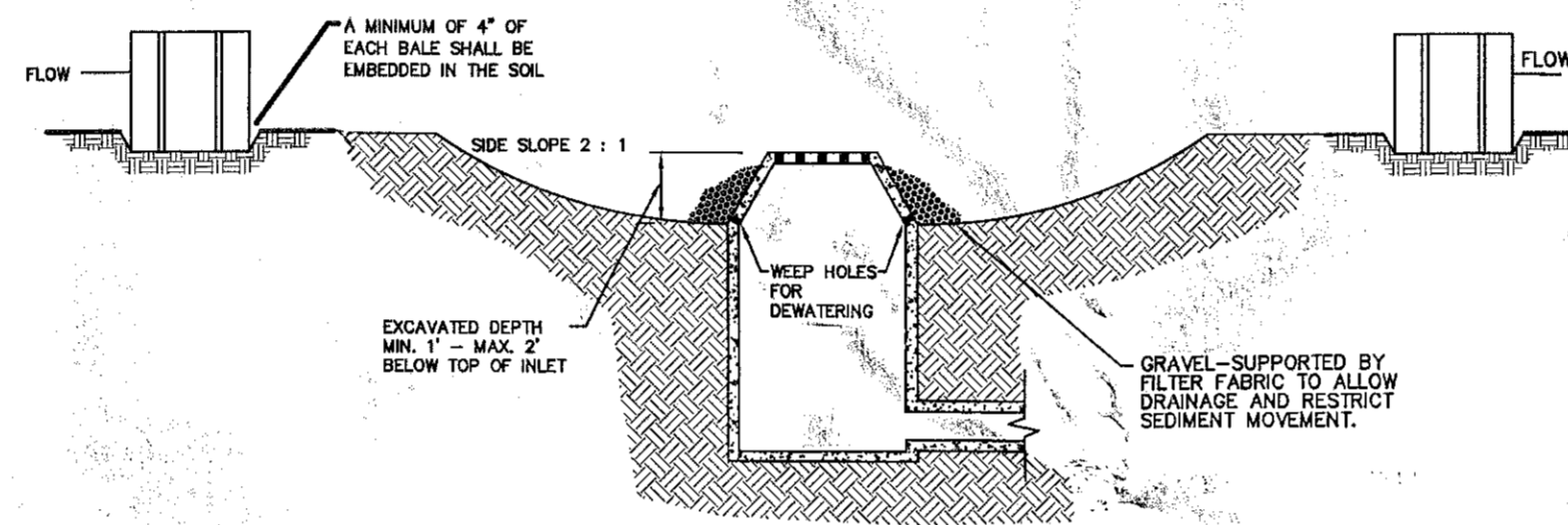


TYPICAL DEWATERING DETAIL

N.T.S.

SEEDING MIX			
PRIMARY SEED MIX: 130 lbs/acre			
AMT. BY WEIGHT	SPECIES OR VARIETY	PURITY	MIN. % GERM.
55%	KENTUCKY BLUE GRASS BLEND	95%	80%
25%	RED FESCUE	97%	85%
20%	PERENNIAL RYE	98%	90%
100%			
TEMPORARY COVER SEED MIX: 30 lbs/acre			
AMT. BY WEIGHT	SPECIES OR VARIETY	PURITY	MIN. % GERM.
90%	ANNUAL RYE GRASS	98%	90%
10%	ORGANIC MATERIAL	-	-
100%			

- SITE PREPARATION:
- SEEDBED PREPARATION - SCARIFY IF COMPACTED. REMOVE DEBRIS AND OBSTACLES SUCH AS ROCKS AND STUMPS.
 - SOIL AMENDMENTS:
 - LIME TO A PH OF 6.0
 - FERTILIZE WITH 600LBS OF 5-10-10 OR EQUIV. PER ACRE (14LBS/1000 S.F.)
 - POST SEEDING FERTILIZATION AND WATERING IS THE RESPONSIBILITY OF THE CONTRACTOR UNTIL ACCEPTED BY THE OWNER AS DESCRIBED IN THE PROJECT SPECIFICATIONS

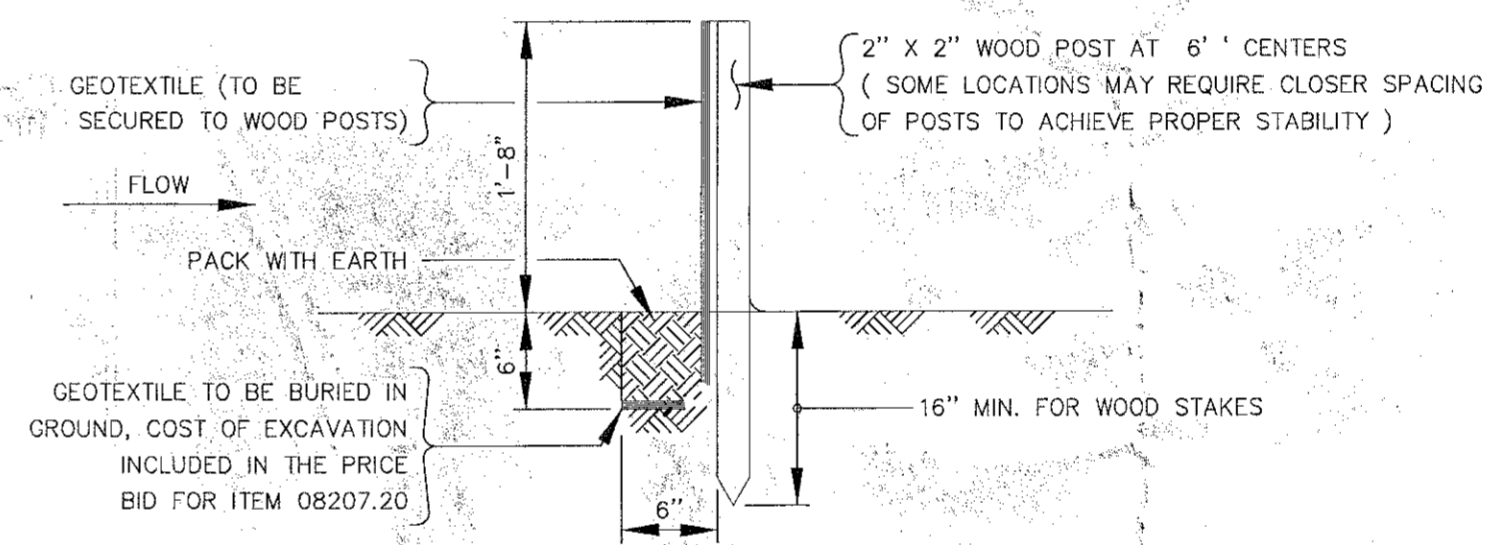


EXCAVATED DROP INLET PROTECTION DETAILS

SCALE: N.T.S.

CONSTRUCTION SPECIFICATIONS:

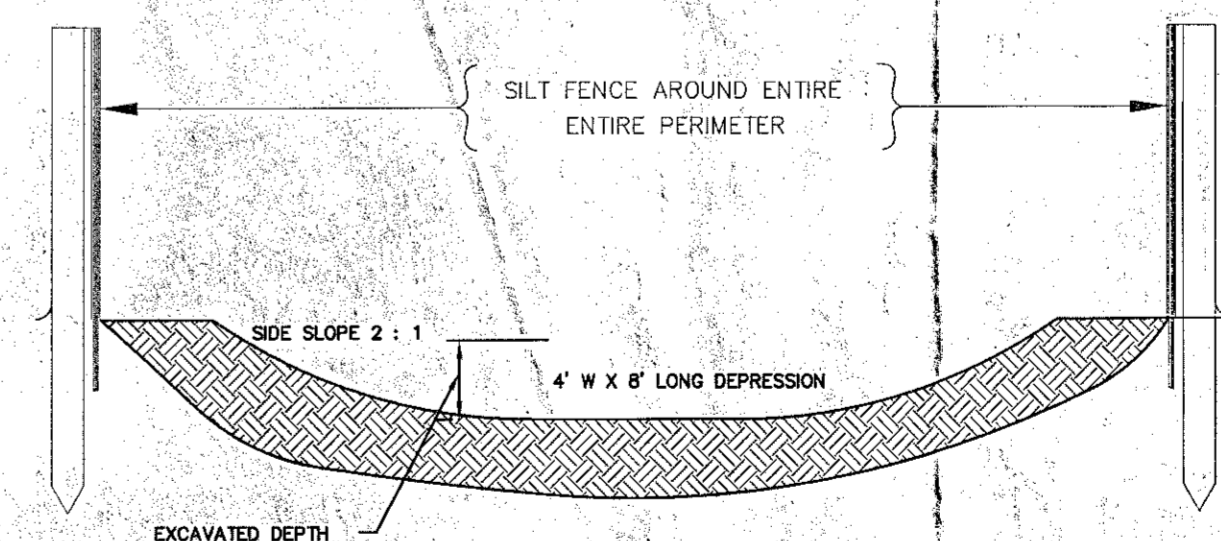
- CLEAR THE AREA OF ALL DEBRIS THAT WILL HINDER EXCAVATION.
 - GRADE APPROACH TO THE INLET UNIFORMLY AROUND THE BASIN.
 - WEEP HOLES SHALL BE PROTECTED BY GRAVEL.
 - THE STRUCTURE SHALL BE INSPECTED AFTER EACH RAIN AND REPAIRS MADE AS NEEDED.
 - CONSTRUCTION OPERATIONS SHALL BE CARRIED OUT IN SUCH A MANNER THAT EROSION AND WATER POLLUTION SHALL BE MINIMIZED.
 - UPON STABILIZATION OF CONTRIBUTING DRAINAGE AREA, SEAL WEEP HOLES, FILL BASIN WITH STABLE SOIL TO FINAL GRADE, COMPACT IT PROPERLY AND STABILIZE WITH PERMANENT SEEDING.
- MAXIMUM DRAINAGE AREA 1 ACRE



SILT FENCE DETAIL

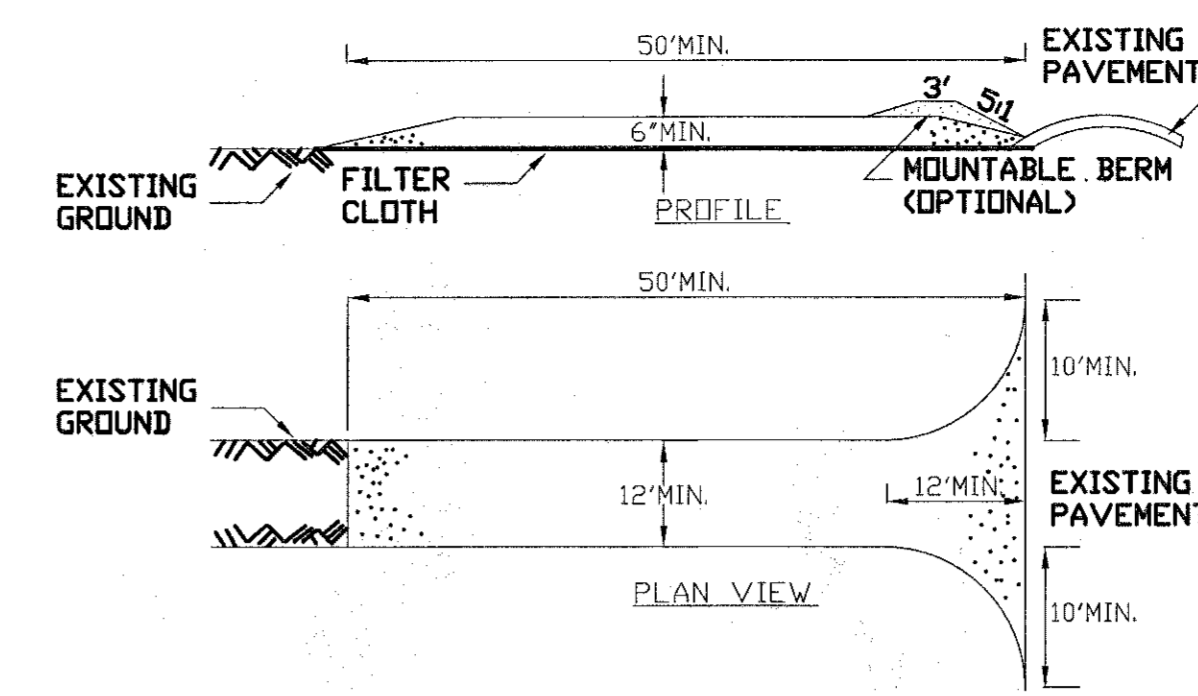
(NOT TO SCALE)

- CONSTRUCTION NOTES FOR FABRICATED SILT FENCE
- WOVEN WIRE FENCE TO BE FASTENED SECURELY TO FENCE POSTS WITH WIRE TIES OR STAPLES.
 - FILTER CLOTH TO BE FASTENED SECURELY TO WOVEN WIRE FENCE WITH TIES SPACED EVERY 24\"/>
- POSTS: STEEL EITHER "1" OR "2" TYPE OR 2" HARDWOOD
 FENCE: WOVEN WIRE, 14" 6" MAX. MESH OPENING
 FILTER CLOTH: FILTER X, MIRAFI 100X, STABILINKA 1140N OR APPROVED EQUAL
 PREFABRICATED UNIT: GEOFAB, ENVIROFENCE, OR APPROVED EQUAL



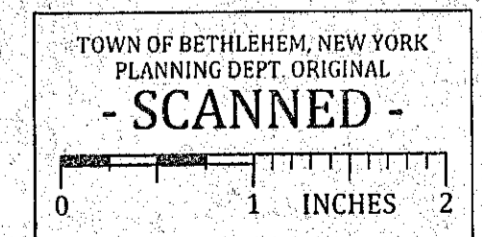
EXCAVATED CONCRETE WASHOUT AREA

SCALE: N.T.S.



CONSTRUCTION SPECIFICATIONS

- STONE SIZE - USE 2" STONE, OR RECLAIMED OR RECYCLED CONCRETE EQUIVALENT.
- LENGTH - NOT LESS THAN 50 FEET (EXCEPT ON A SINGLE RESIDENCE LOT WHERE A 30 FOOT MINIMUM LENGTH WOULD APPLY).
- THICKNESS - NOT LESS THAN SIX (6) INCHES.
- WIDTH - TWELVE (12) FOOT MINIMUM, BUT NOT LESS THAN THE FULL WIDTH AT POINTS WHERE INGRESS OR EGRESS OCCURS. TWENTY-FOUR (24) FOOT IF SINGLE ENTRANCE TO SITE.
- FILTER CLOTH - WILL BE PLACED OVER THE ENTIRE AREA PRIOR TO PLACING OF STONE.
- SURFACE WATER - ALL SURFACE WATER FLOWING OR DIVERTED TOWARD CONSTRUCTION ENTRANCES SHALL BE PIPED ACROSS THE ENTRANCE. IF PIPING IS IMPRACTICAL, A MOUNTABLE BERM WITH 5:1 SLOPES WILL BE PERMITTED.
- MAINTENANCE - THE ENTRANCE SHALL BE MAINTAINED IN A CONDITION WHICH WILL PREVENT TRACKING OR FLOWING OF SEDIMENT ONTO PUBLIC RIGHTS-OF-WAY, ALL SEDIMENT SPILLED, DROPPED, WASHED OR TRACTED ONTO PUBLIC RIGHTS-OF-WAY MUST BE REMOVED IMMEDIATELY.
- WHEN WASHING IS REQUIRED, IT SHALL BE DONE ON A AREA STABILIZED WITH STONE AND WHICH DRAINS INTO AN APPROVED SEDIMENT TRAPPING DEVICE.
- PERIODIC INSPECTION AND NEEDED MAINTENANCE SHALL BE PROVIDED AFTER EACH RAIN.



TOWN OF BETHLEHEM, NEW YORK
 PLANNING DEPT. ORIGINAL
 - SCANNED -

PLANNING BOARD
 TOWN OF BETHLEHEM
 ALBANY COUNTY, NEW YORK
 By direction of the Chairman.
 These drawings are hereby approved.
 See sheet(s) 1, 2, 3, 4, 5, 6, 7, 8, 9, 10, 11, 12, 13, 14, 15, 16, 17, 18, 19, 20
 for date and signature.

TOWN OF BETHLEHEM APPROVAL

NOTE: 72 HOURS PRIOR TO ANY CONSTRUCTION ACTIVITIES, THE CONTRACTOR SHALL CONTACT THE DIG SAFELY NEW YORK TO LOCATE ALL UNDERGROUND UTILITIES. 1-800-962-7962

NO.	DATE	REVISIONS
1		
2		

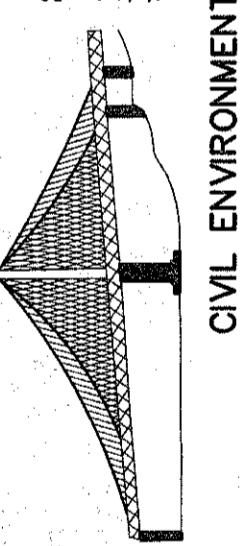
Scaling of these drawings shall be done only on the original drawings. All dimensions shall use dimensions and electronic data only for layout and construction.

Unauthorized alterations or additions to this document is a violation of Sec. 7209 Sub. 2 of the NYS Education Law. Copyright © 2014 Brett L. Steenburgh, P.E. PLLC. All rights reserved. No use or reproduction of these drawings without the express written consent of Brett L. Steenburgh, P.E., PLLC.



BRETT L. STEENBURGH, P.E. PLLC

2832 ROSINDALE ROAD
 NISKAYUNA, NY 12309
 PHONE - (518) 365-0675
 bsteenb@nycap.rtr.com



MISC. DETAILS

BEVERLYCK ILLU ADDITION

TOWN OF BETHLEHEM
 ALBANY COUNTY, NEW YORK

COUNTY OF ALBANY
 DRAWN BY: BE-RECOVER
 CHECKED BY: S.S.

STATE OF NEW YORK
 SCALE: 1" = 20'

SHEET 16 OF 18

DATE: MAY 12, 2014