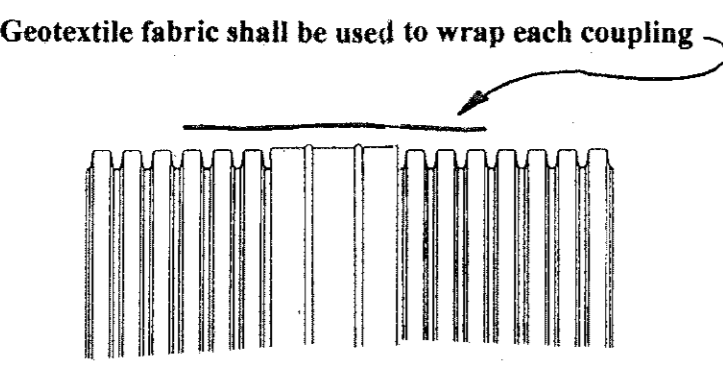


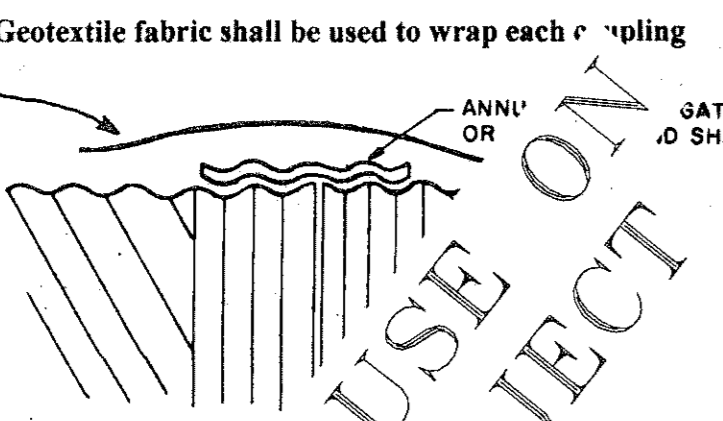
STANDARD GAUGE FOR C.M.P.

MIN. BAND WIDTH (IN)	DIAMETER (INCHES)	REQUIRED GAUGE
7	6	18
7	8	16
7	10	16
7	12	16
7	15	16
7	18	16
7	21	16
7	24	16
7	30	14
10.5	36	14
10.5	42	12
10.5	48	12
10.5	54	12
10.5	60	10
10.5	72	10
10.5	84	8

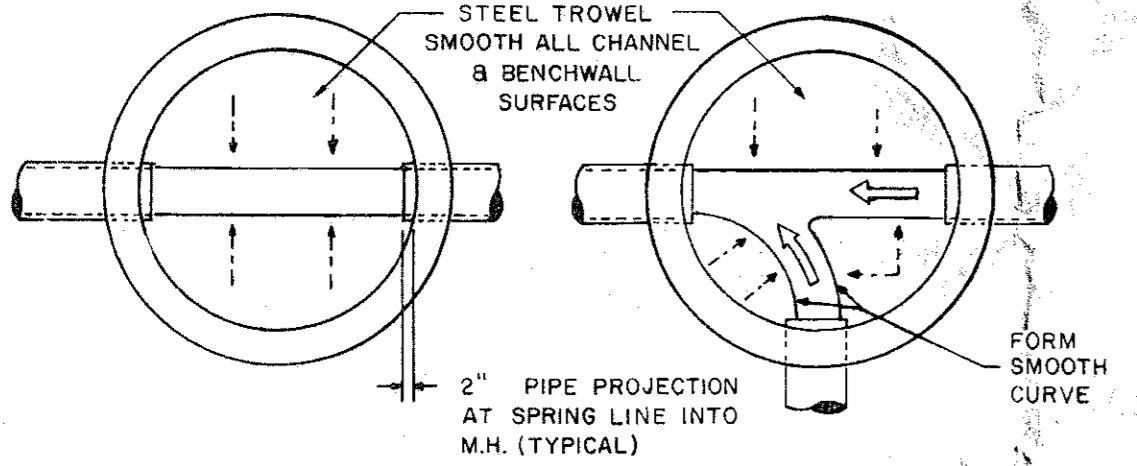
GAUGES LISTED ARE FOR STANDARD INSTALLATIONS. SHALLOW OR DEEP INSTALLATIONS MAY REQUIRE HEAVIER GAUGES



Soil - Tight Coupling
TYPICAL JOINT DETAILS
HIGH DENSITY POLYETHYLENE PIPE

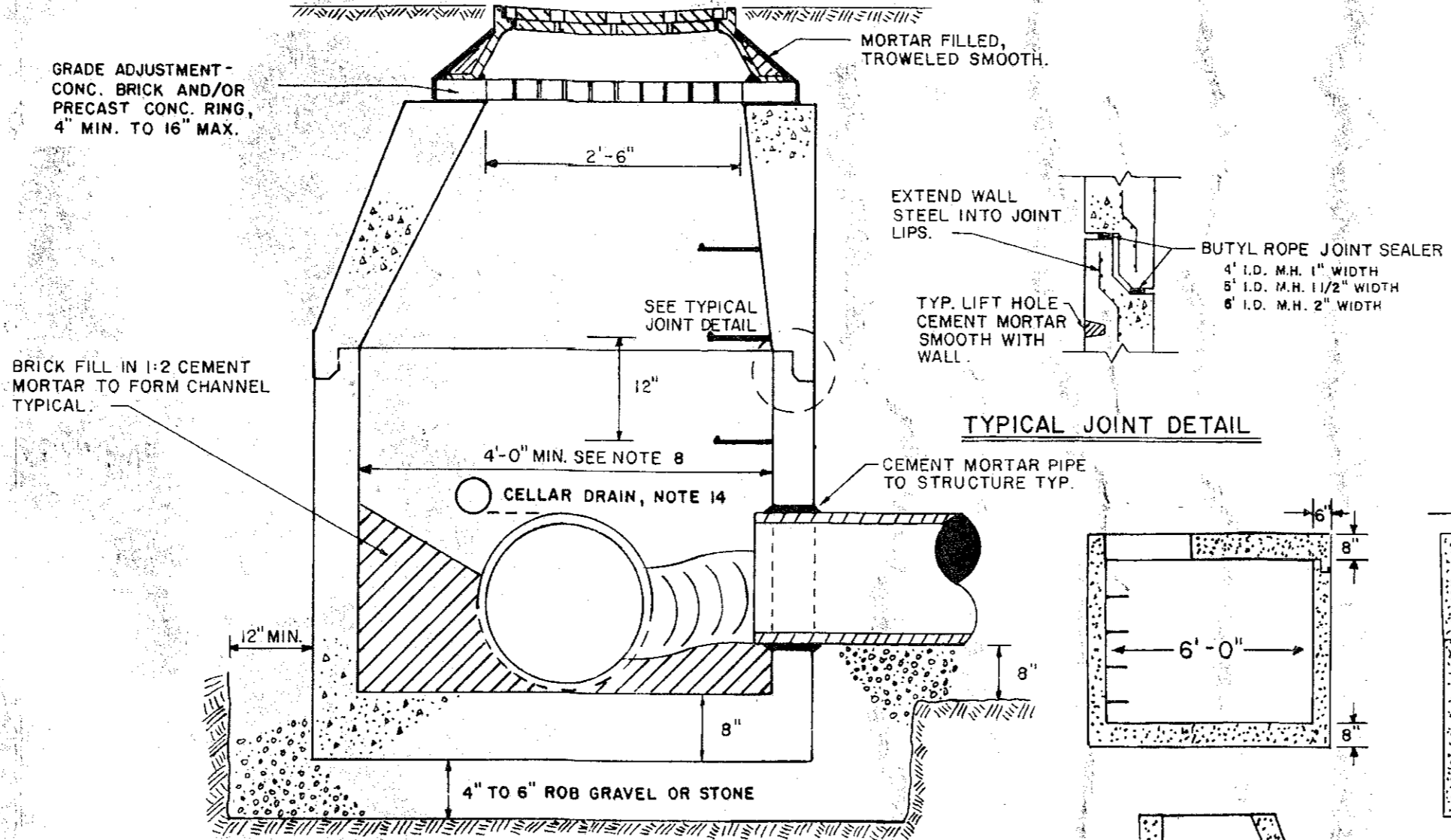


HELICAL WITH AN...
TYPICAL C.M.P. JOINT DETAILS

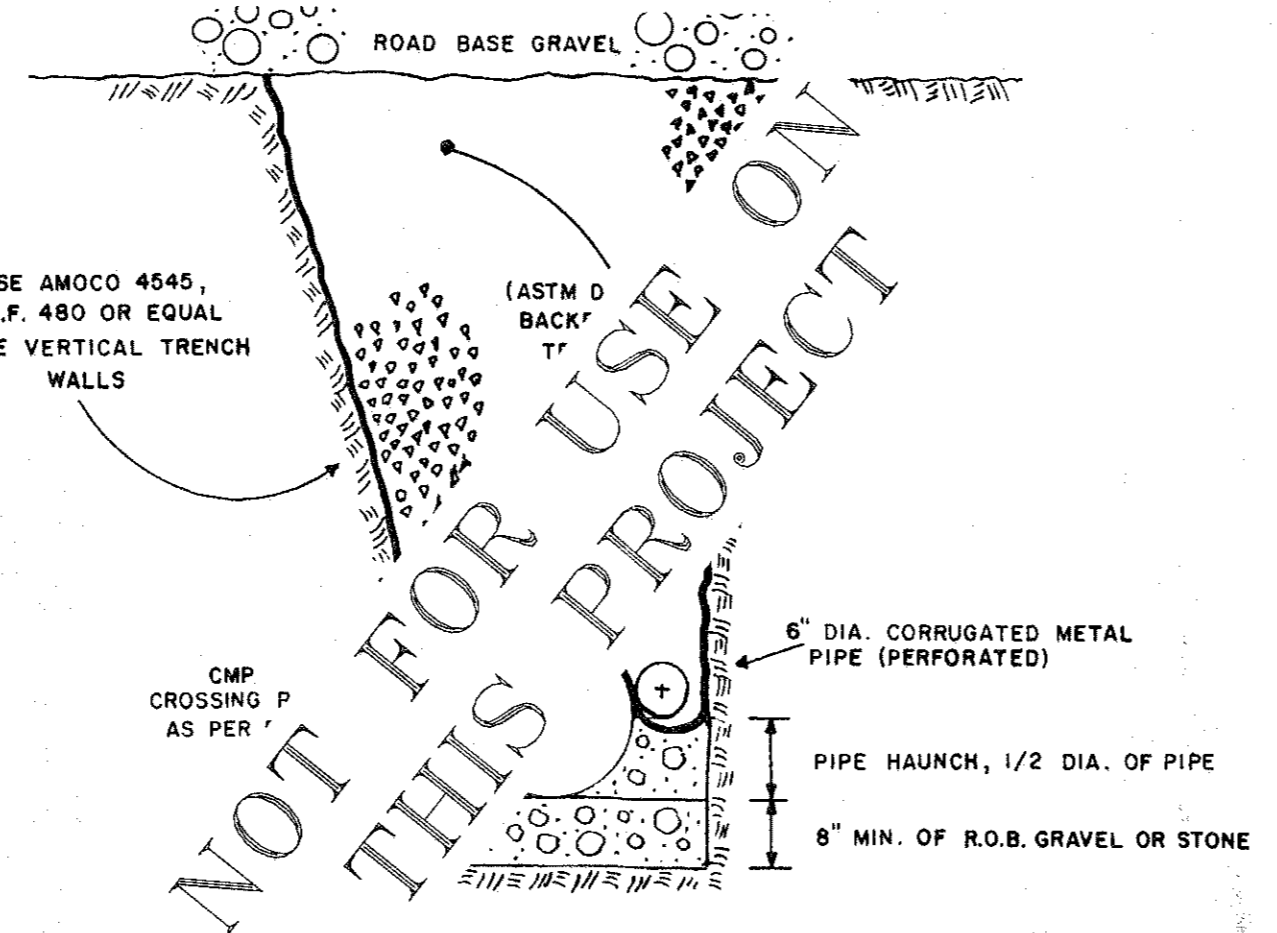


INVERT, CHANNEL AND BENCHWALL DETAILS

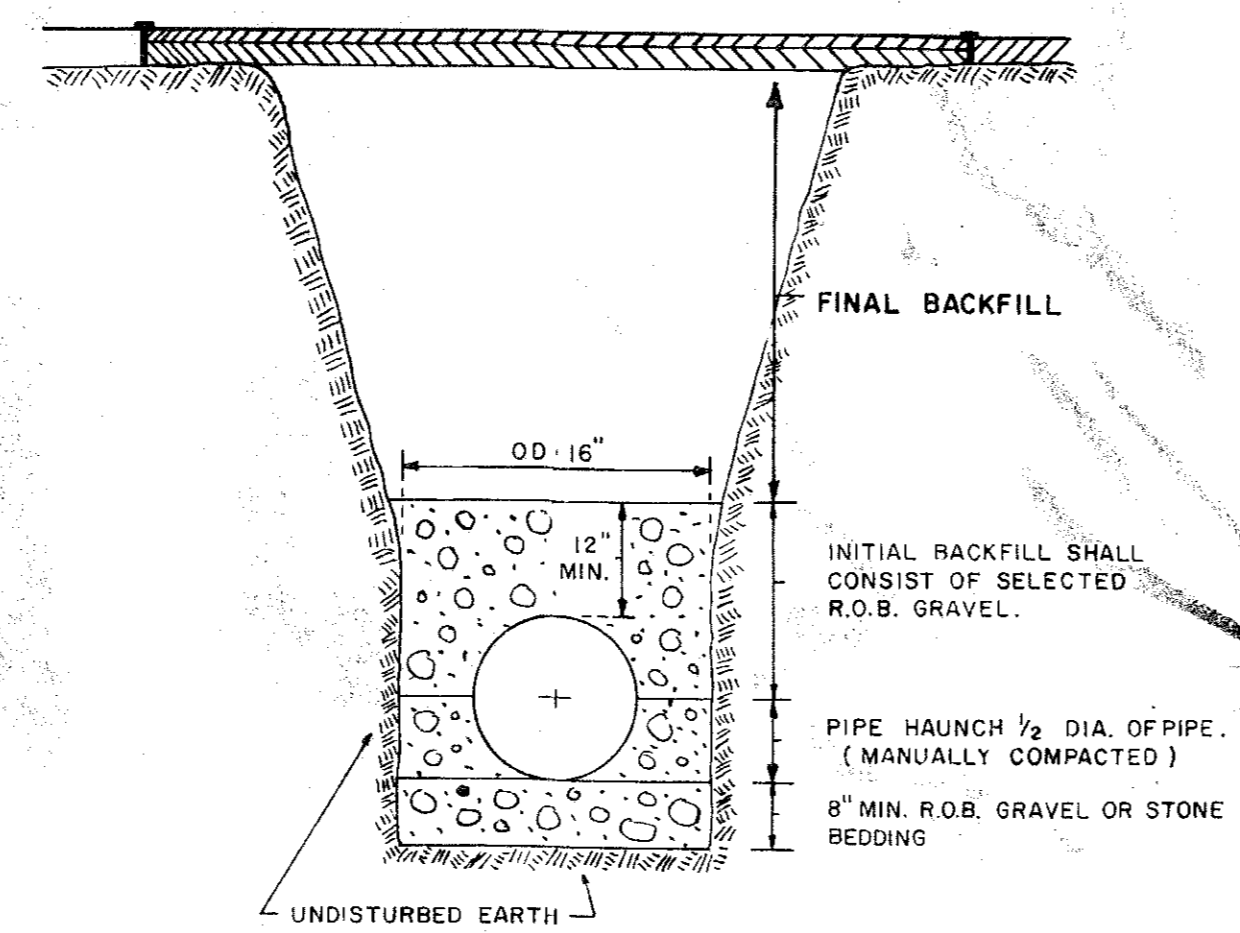
Neenah 1559-2000 frame with 1556-5001 cover, or Campbell 1203 frame and cover.
Neenah 1559-2000 frame with 2556-3005 grate, or Campbell 2253 frame and grate.



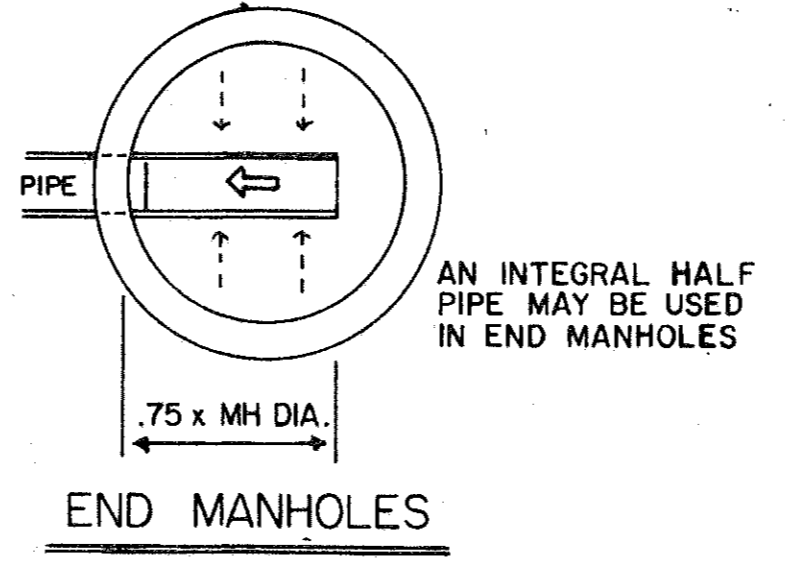
CATCH BASIN AND/OR MANHOLE DETAILS



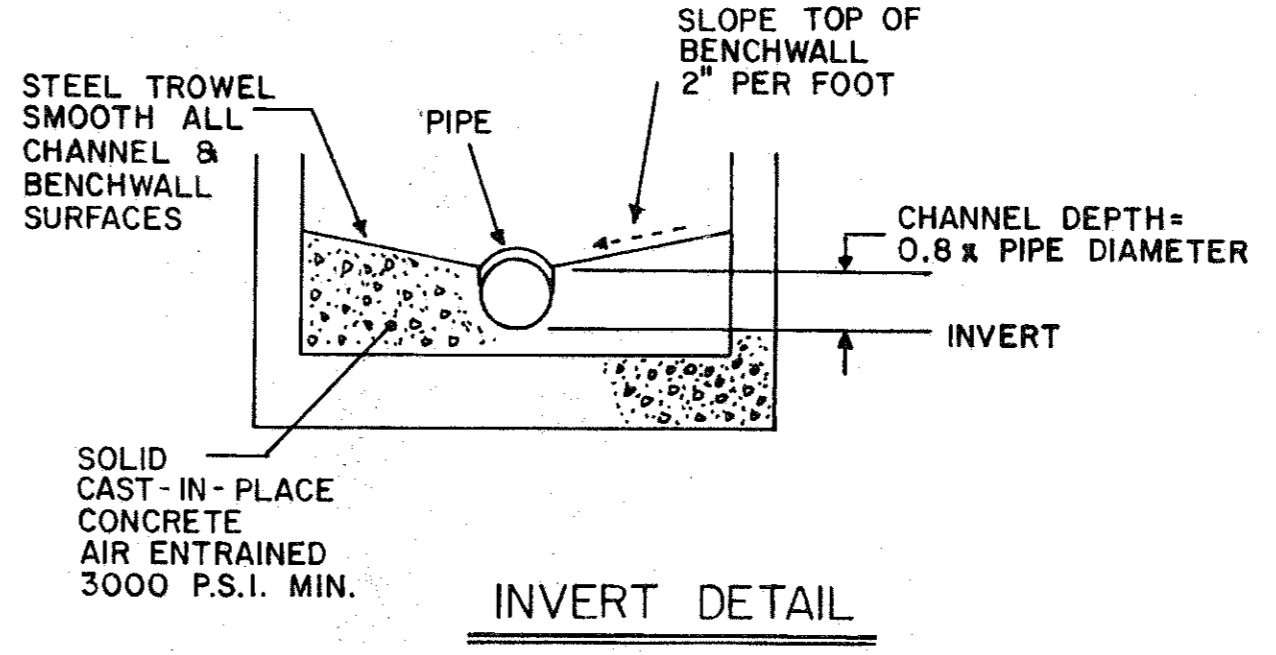
TYPICAL STREET LOW POINT TRENCH CROSSING



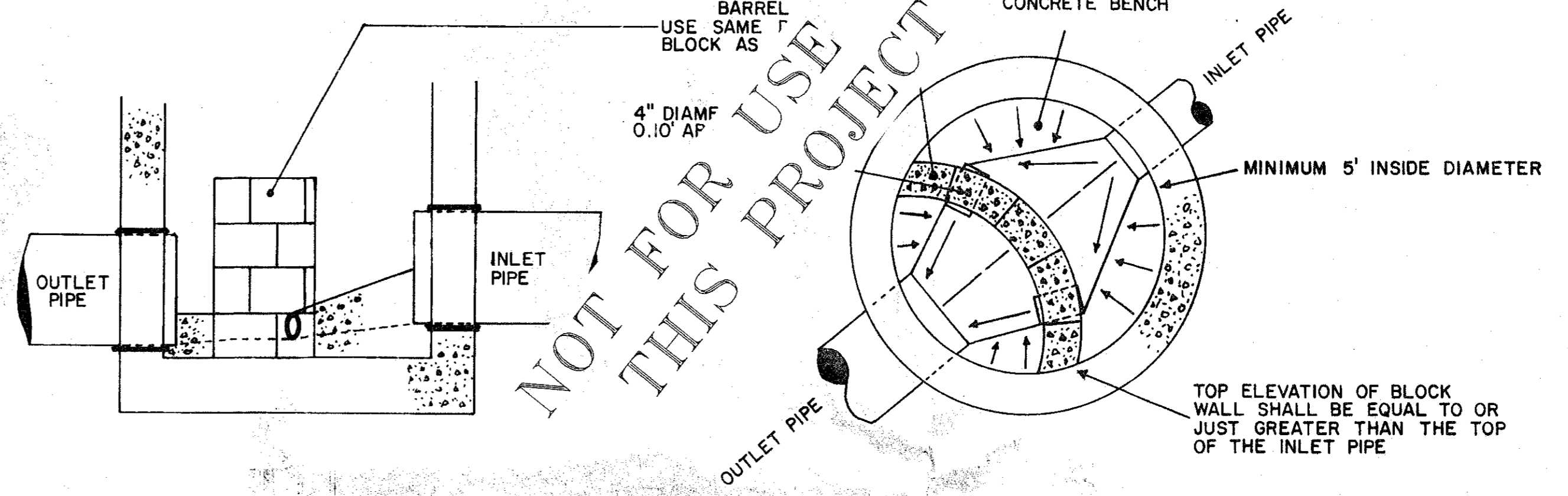
TYPICAL TRENCH DETAIL



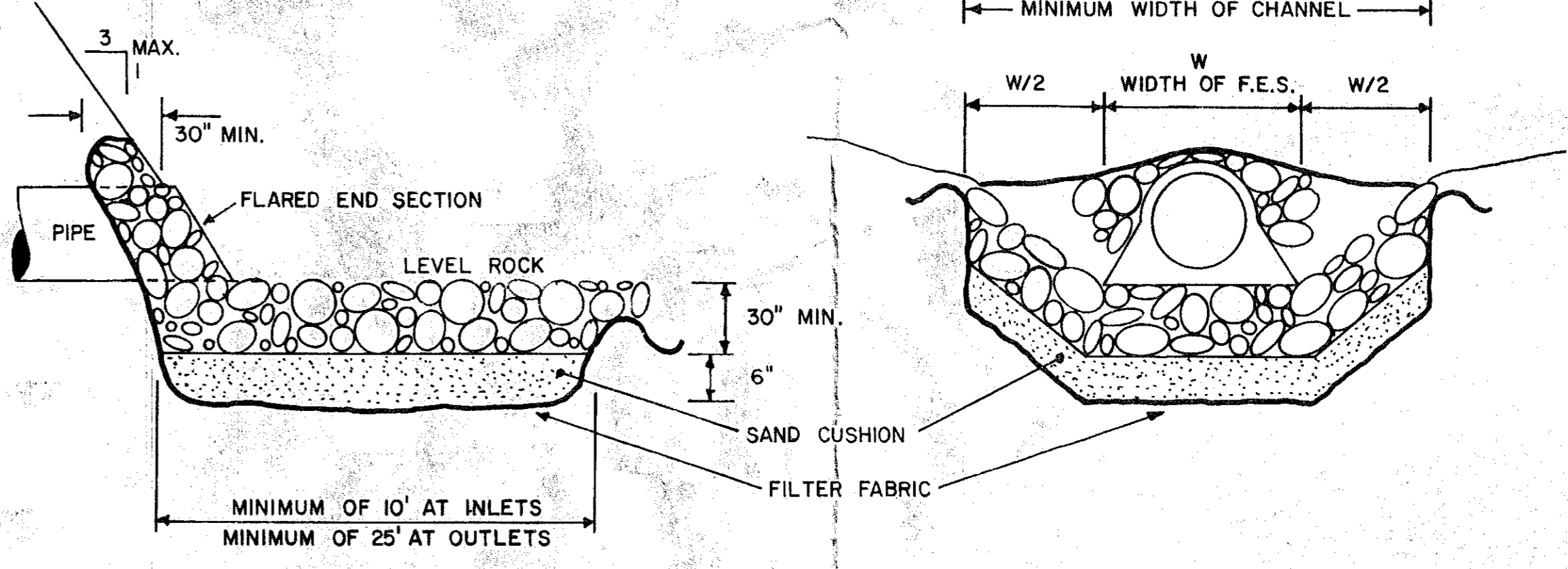
END MANHOLES



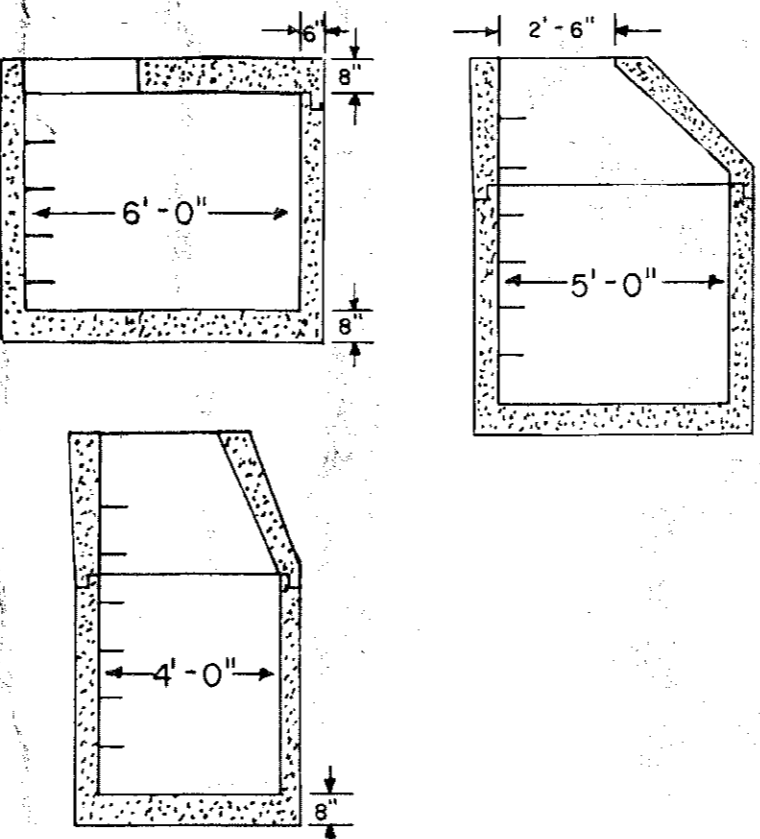
INVERT DETAIL



ENERGY DISSIPATING STRUCTURE

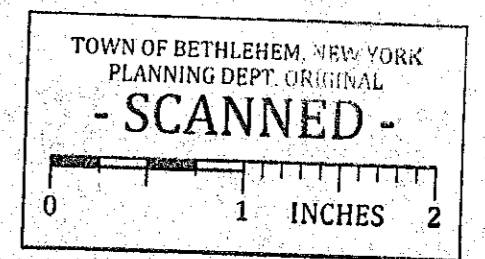


TYPICAL ROCK OUTLET PROTECTION DETAIL



TYPICAL PRECAST M.H.s

OBTAIN STANDARD SPECIFICATIONS



TOWN OF BETHLEHEM, NEW YORK
PLANNING DEPT. ORIGINAL
- SCANNED -
PLANNING BOARD
TOWN OF BETHLEHEM
ALBANY COUNTY, NEW YORK
By direction of the Chairman.
These drawings are hereby approved.
See sheet(s) 11, 12, 13, 14, 15, 16, 17, 18
for date and signature.

TOWN OF BETHLEHEM APPROVAL

NOT FOR USE ON THIS PROJECT

NOT FOR USE ON THIS PROJECT

NOTE: 72 HOURS PRIOR TO ANY CONSTRUCTION ACTIVITIES, THE CONTRACTOR SHALL CONTACT THE DIG SAFELY NEW YORK TO LOCATE ALL UNDERGROUND UTILITIES. 1-800-962-7962

STORM WATER DETAILS

BEVERLY ILLU ADDITION

COUNTY OF ALBANY

DRAWN BY: BLS

CHECKED BY: BLS

DATE: MAY 12, 2014

STATE OF NEW YORK

SCALE: 1" = 20'

SHEET 17 OF 18

BRET L. STEENBURGH, P.E. PLLC

2882 ROSENDALE ROAD
ALBANY, NY 12209
PHONE: (518) 339-0875
FAX: (518) 280-6520
bsteenburg@steeppc.com

CIVIL ENVIRONMENTAL STRUCTURAL ENGINEERING

REVISIONS:

NO.	DATE	REVISIONS
1		
2		