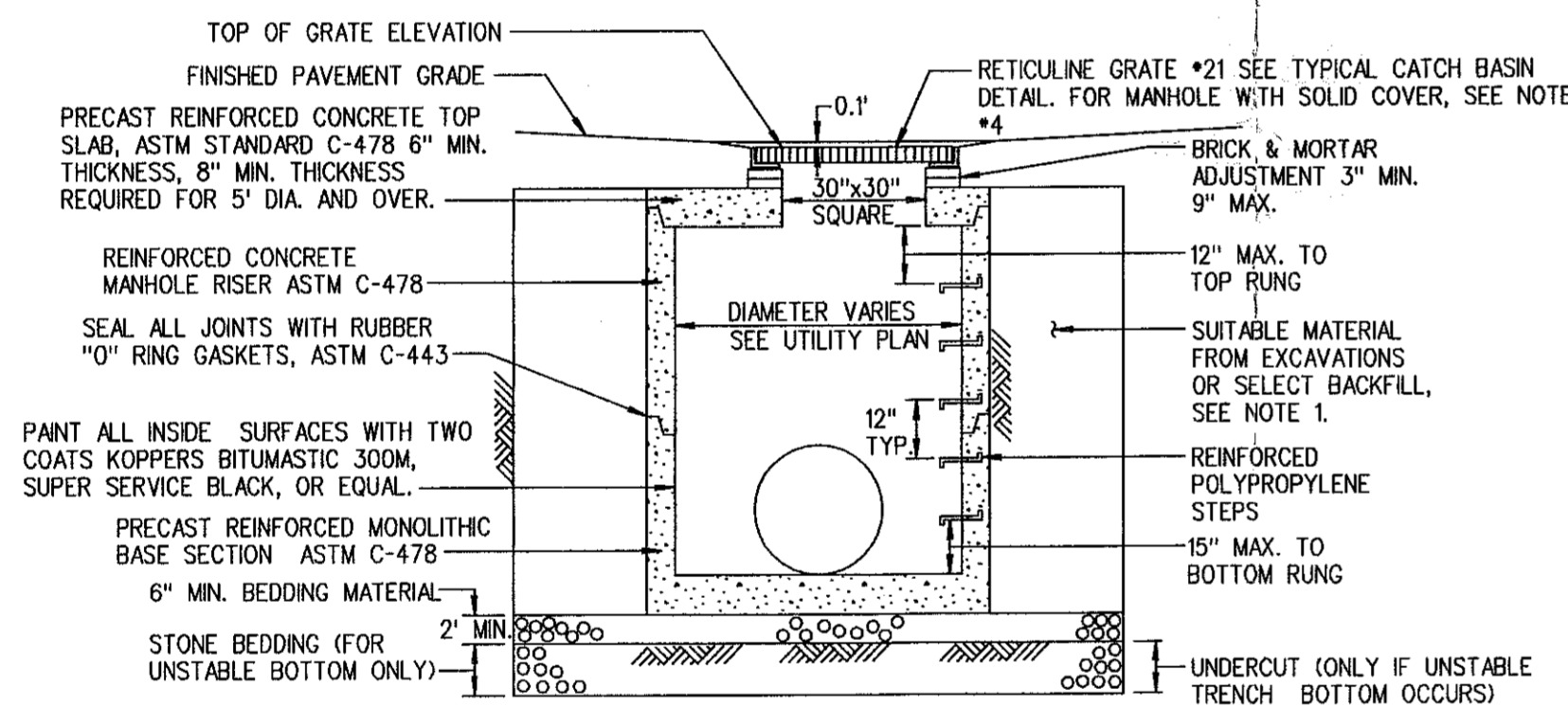
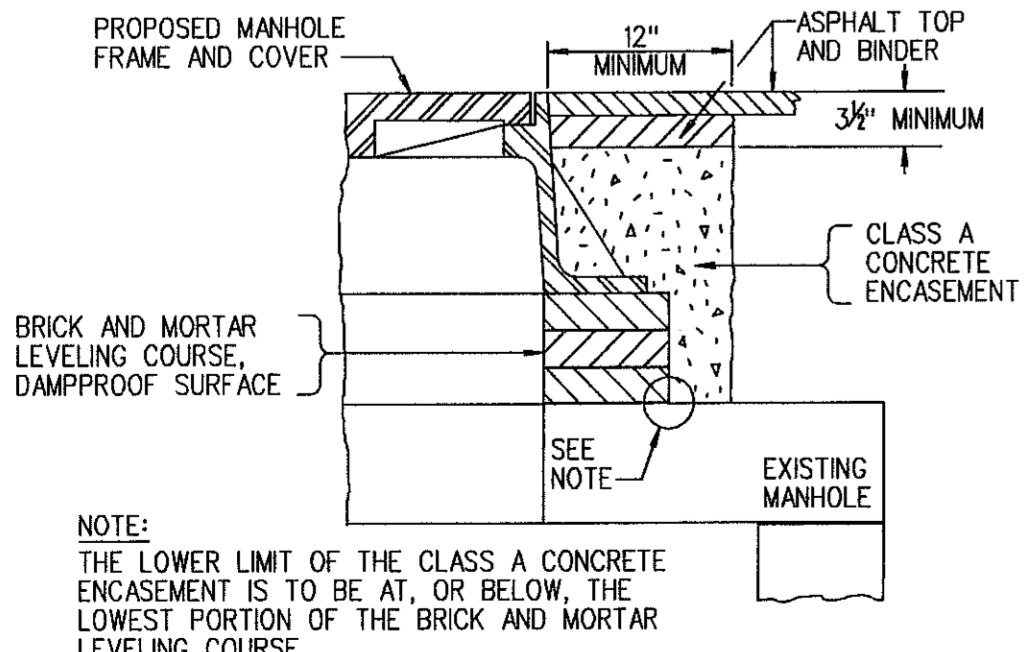


**TYPICAL CATCH BASIN (24"x24" SQUARE)**



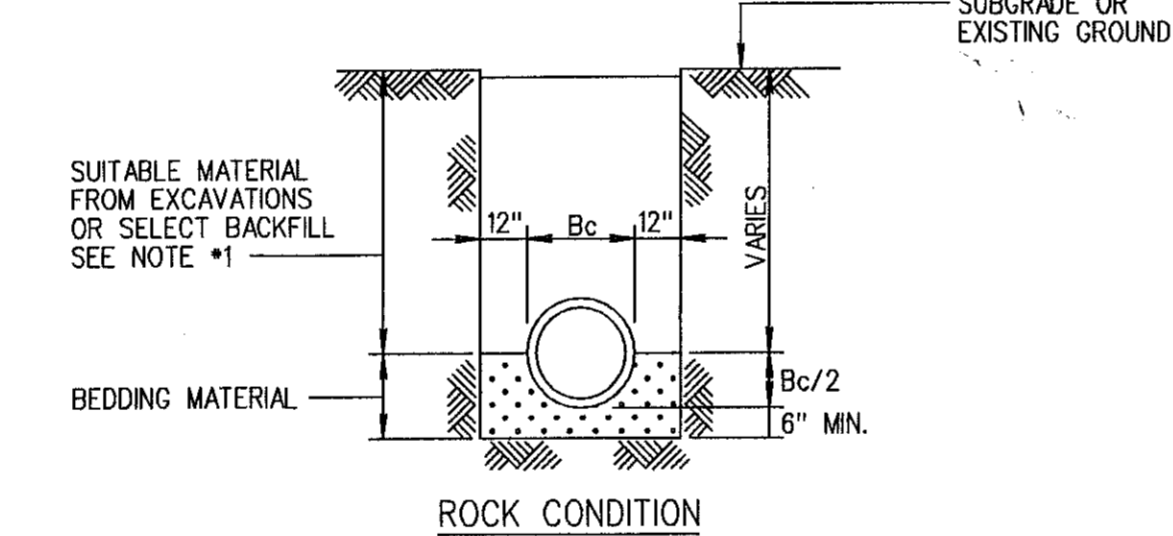
**TYPICAL STORM INLET MANHOLE (ROUND)**



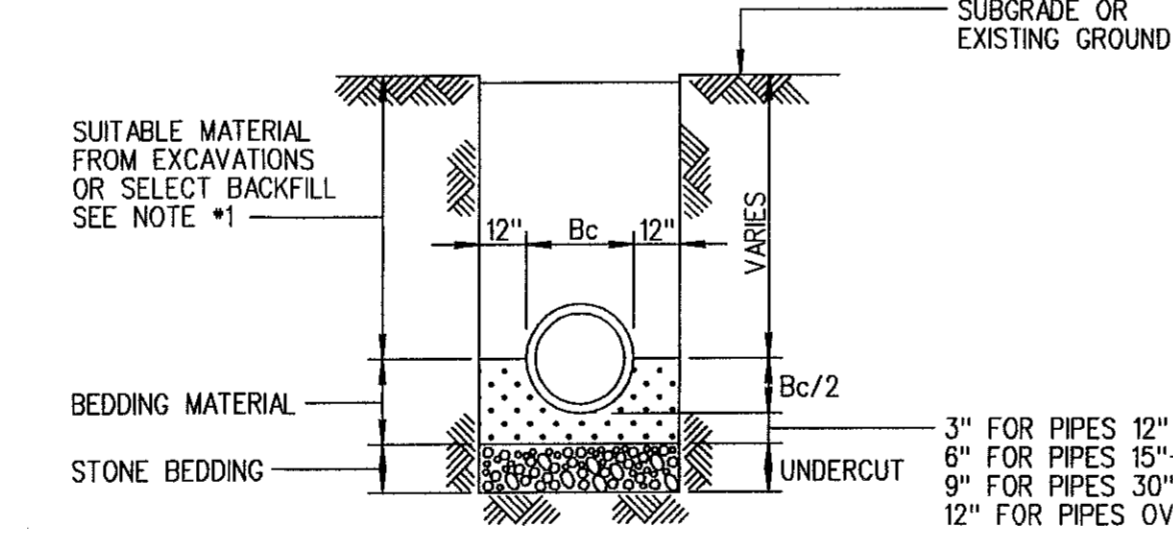
**TYPICAL MANHOLE/CATCH BASIN ADJUSTMENT DETAIL**

**STORM SEWER NOTES**

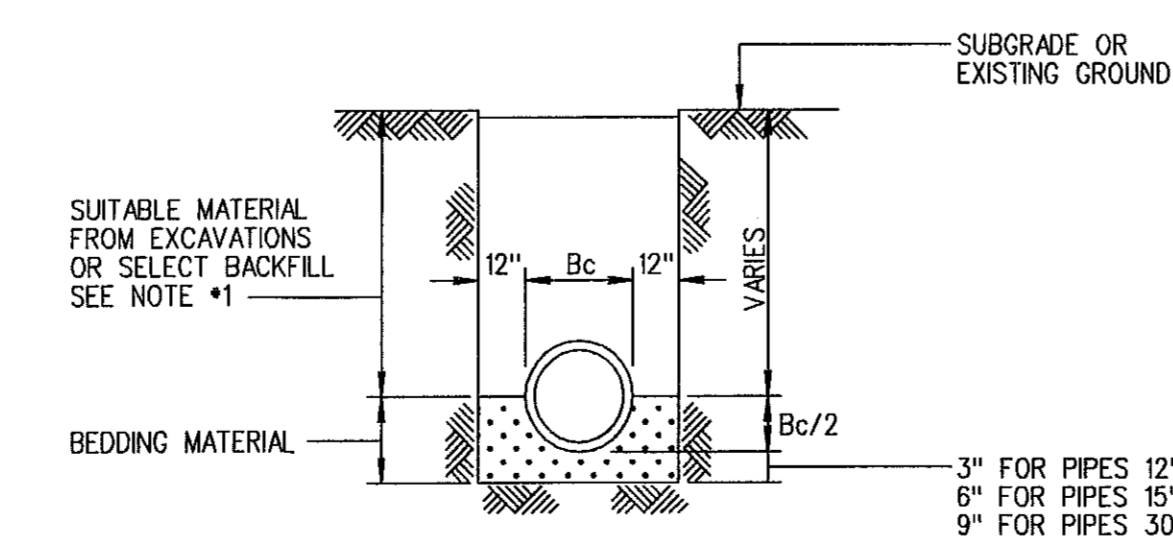
1. **MATERIALS**
  - a. SELECT BACKFILL SHALL CONFORM TO THE REQUIREMENTS OF NYSDOT SPECIFICATIONS, SECTION 203, ITEM 203.07.
  - b. BEDDING MATERIAL SHALL CONFORM TO THE REQUIREMENTS OF NYSDOT SPECIFICATIONS, SECTION 203, ITEM 203.07, EXCEPT THAT MAXIMUM PARTICLE SIZE SHALL BE 2".
  - c. SUITABLE MATERIAL FROM THE EXCAVATIONS SHALL BE ANY MINERAL (INORGANIC) SOIL FREE OF MUCK, PEAT, INORGANIC SILT, TOPSOIL AND SOD AND SHALL HAVE A MAXIMUM PARTICLE SIZE OF 4".
  - d. BACKFILL ABOVE THE BEDDING MATERIAL UNDER PUBLIC ROADWAYS SHALL BE WITH SELECT BACKFILL.
  - e. BACKFILL ABOVE THE BEDDING MATERIAL UNDER LAWN AREAS MAY BE WITH SUITABLE MATERIAL FROM THE EXCAVATIONS.
  - f. BACKFILL ABOVE THE BEDDING MATERIAL UNDER PRIVATE PAVED AREAS WILL BE WITH SELECT FILL MATERIAL.
  - g. WHEN UNSTABLE TRENCH BOTTOM CONDITIONS ARE ENCOUNTERED, UNDERCUT AND BACKFILL WITH PRIMARY SIZE STONE, NYSDOT SPECIFICATIONS, SECTION 703-02, PRIMARY SIZE 1,2,3 OR 4. DEPTH OF UNDERCUT SHALL BE AS SPECIFIED BY OWNER'S REPRESENTATIVE.
2. COMPACTION REQUIRED FOR ALL BEDDING, SELECT FILL AND BACKFILL WORK. SEE SPECIFICATIONS FOR REQUIREMENTS.
3. CONTRACTOR SHALL BE RESPONSIBLE FOR VERIFYING PROPOSED RIM/TOP OF GRATE ELEVATIONS IN RELATION TO PROPOSED GRADE PRIOR TO INSTALLATION.
4. FRAME AND COVERS TO BE CAST IRON, ASTM A-48, CLASS 30, HS-20 LOADING, NEENAH FOUNDRY, R-1726 TYPE A OR APPROVED EQUAL FOR DEDICATED SEWERS. FOR PRIVATE SEWERS, USE SYRACUSE CASTING No. 1032 OR EQUIVALENT.
5. ALL DRAINAGE STRUCTURES TO HAVE OPEN GRATING TOP UNLESS OTHERWISE INDICATED ON THE UTILITY DRAWING. FOR "SOLID COVER" STRUCTURES, REVISE TOP DETAIL TO BE SAME AS THAT SHOWN FOR SANITARY SEWER MANHOLE WITH 24" DIAMETER OPENING, EXCEPT THAT LETTERING ON COVERS FOR STORM MANHOLES SHALL BE "STORM".
6. PIPE CONNECTIONS TO STORM MANHOLES SHALL BE WITH NON-SHRINK GROUT. PIPE CONNECTIONS TO SANITARY SEWER MANHOLES SHALL CONFORM TO ASTM C-923, RESILIENT CONNECTORS BETWEEN REINFORCED CONCRETE MANHOLE STRUCTURES AND PIPE.
7. STORM DRAINAGE PIPE AND FITTINGS, 3" TO 10" DIAMETER SHALL CONFORM TO AASHTO M252-90 CORRUGATED POLYETHYLENE (SMOOTH INTERIOR) DRAINAGE TUBING. STORM DRAINAGE PIPE AND FITTINGS, 12" TO 36" IN DIAMETER SHALL CONFORM TO AASHTO M294-90 TYPE S, CORRUGATED POLYETHYLENE PIPE (SMOOTH INTERIOR). UNDERDRAIN PIPE AND FITTINGS SHALL BE PERFORATED CORRUGATED POLYETHYLENE PIPE (SMOOTH INTERIOR) CONFORMING TO ASTM F405-89.



**ROCK CONDITION**

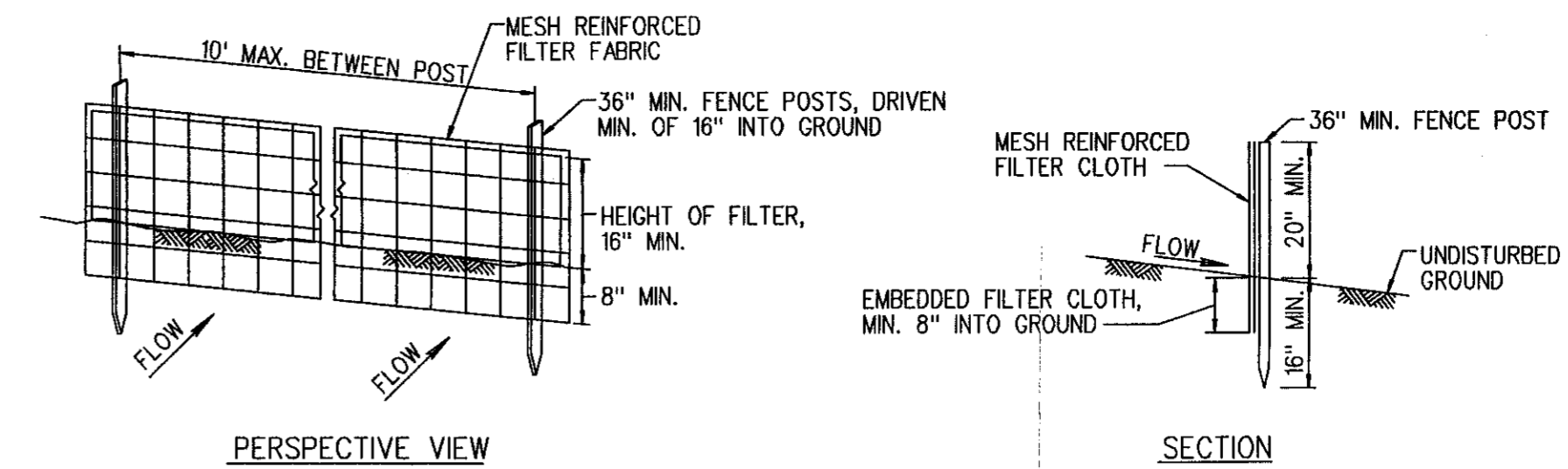


**UNSTABLE TRENCH BOTTOM CONDITIONS**



**STABLE TRENCH BOTTOM CONDITIONS**

**STORM AND SANITARY SEWER INSTALLATION DETAILS**

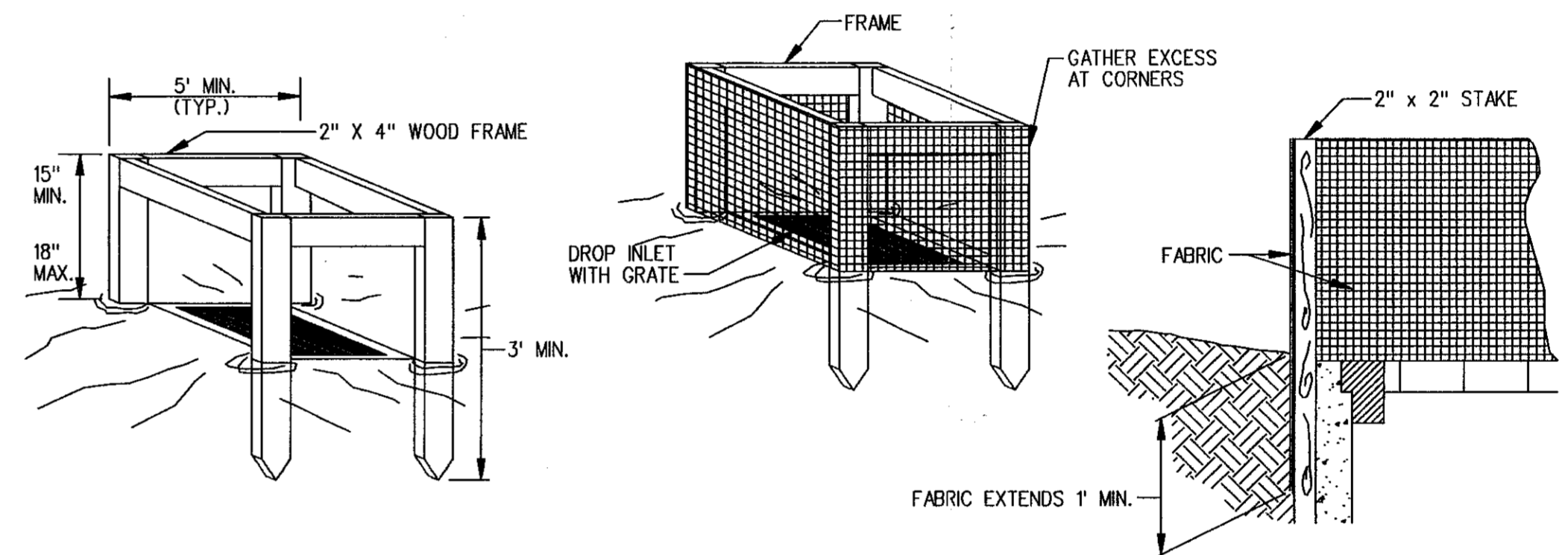


**PERSPECTIVE VIEW**

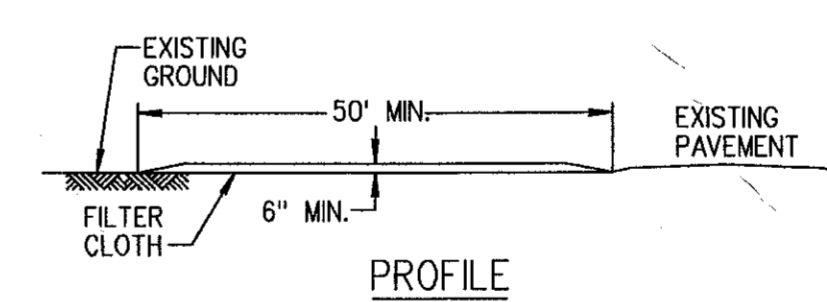
**SECTION**

- CONSTRUCTION NOTES FOR SILT FENCE:**
1. FILTER CLOTH TO BE FASTENED SECURELY TO EACH POST IN NO LESS THAN 4 LOCATIONS.
  2. WHEN TWO SECTIONS OF FILTER CLOTH ADJOIN EACH OTHER, THEY SHALL BE OVERLAPPED BY SIX INCHES AND FOLDED.
  3. MAINTENANCE SHALL BE PERFORMED AS NEEDED AND MATERIAL REMOVED WHEN "BULGES" OCCUR IN THE SILT FENCE.
- POSTS:** STEEL EITHER "T" OR "U" TYPE OR 2" HARDWOOD
- FILTER CLOTH:** FILTER X, MIRAFI 100X, STABILINKA T140N OR APPROVED EQUAL
- PREFABRICATED UNIT:** GEOFAB ENVIROFENCE OR APPROVED EQUAL.

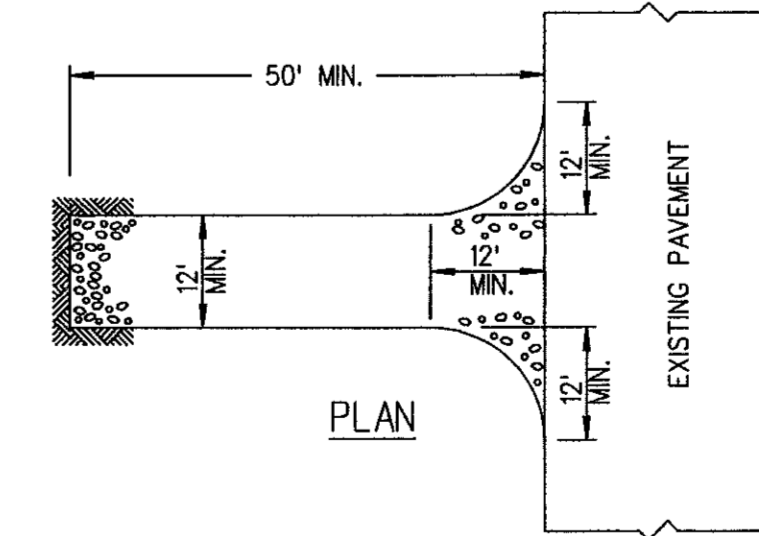
**TEMPORARY FABRICATED SILT FENCE DETAIL**



**SILT FENCE INLET PROTECTION**



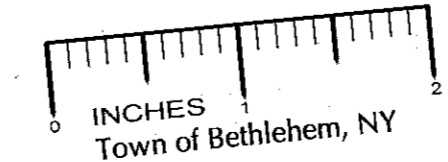
**PROFILE**



**PLAN**

- CONSTRUCTION SPECIFICATIONS:**
1. STONE SIZE - USE 2" STONE, OR RECLAIMED OR RECYCLED CONCRETE EQUIVALENT.
  2. LENGTH - NOT LESS THAN 50 FEET (EXCEPT ON A SINGLE RESIDENCE LOT WHERE A 30 FOOT MINIMUM LENGTH WOULD APPLY).
  3. THICKNESS - NOT LESS THAN SIX INCHES.
  4. WIDTH - 12 FOOT MINIMUM, BUT NOT LESS THAN THE FULL WIDTH AT POINTS WHERE INGRESS OR EGRESS OCCURS. 24 FOOT IF SINGLE ENTRANCE TO SITE.
  5. FILTER CLOTH - WILL BE PLACED OVER THE ENTIRE AREA PRIOR TO PLACING OF STONE.
  6. SURFACE WATER - ALL SURFACE WATER FLOWING OR DIVERTED TOWARD CONSTRUCTION ENTRANCES SHALL BE PIPED ACROSS THE ENTRANCE. IF PIPING IS IMPRACTICAL, A MOUNTABLE BERM WITH 5:1 SLOPES WILL BE PERMITTED.
  7. MAINTENANCE - THE ENTRANCE SHALL BE MAINTAINED IN A CONDITION WHICH WILL PREVENT TRACKING OF FLOWING OF SEDIMENT ONTO PUBLIC RIGHT-OF-WAYS. ALL SEDIMENT SPILLED, DROPPED, WASHED OR TRACKED ONTO PUBLIC RIGHT-OF-WAYS MUST BE REMOVED IMMEDIATELY.
  8. WHEN WASHING IS REQUIRED, IT SHALL BE DONE ON AN AREA STABILIZED WITH STONE AND WHICH DRAINS INTO AN APPROVED SEDIMENT TRAPPING DEVICE.
  9. PERIODIC INSPECTION AND NEEDED MAINTENANCE SHALL BE PROVIDED AFTER EACH RAIN.

**STABILIZED CONSTRUCTION ENTRANCE DETAIL**



LOGGED FILE NAME: 400515  
DATE: FEB 25 2009  
BY: dm

UNAUTHORIZED ALTERATION OR ADDITION TO THIS DRAWING IS A VIOLATION OF NEW YORK STATE EDUCATION LAW ARTICLE 145, SECTION 7209

NO.	DATE	DESCRIPTION	REVISIONS
4			
3	2-13-09	SITE PLAN AND DETAILS REVISED PER BENDESON COMMENTS	
2	1-30-09	PLANS REVISED PER BENDESON COMMENTS	
1	1-28-09	PLANS REVISED PER BENDESON COMMENTS	



**F I R A**  
A TYLIN INTERNATIONAL COMPANY  
220 RED TAIL #10 ORCHARD PARK, NY 14127 (716)712-0811

**CONSTRUCTION DETAILS - 2**  
PROJECT NAME: PROPOSED RETAIL DEVELOPMENT  
376-406 FIERA BUSH ROAD, GLENMONT, NEW YORK  
CLIENT: BENDESON DEVELOPMENT COMPANY  
570 DELAWARE STREET, BUFFALO, NY 14202

PROJECT NO:	PROJ. MGR.:
40.6071	DEB
DATE:	DRWN. BY:
1/21/09	KPB
SCALE:	CHKD. BY:
N.T.S.	DLP
DRAWING NO:	
C5.2	
SHEET NO.	8 OF 9