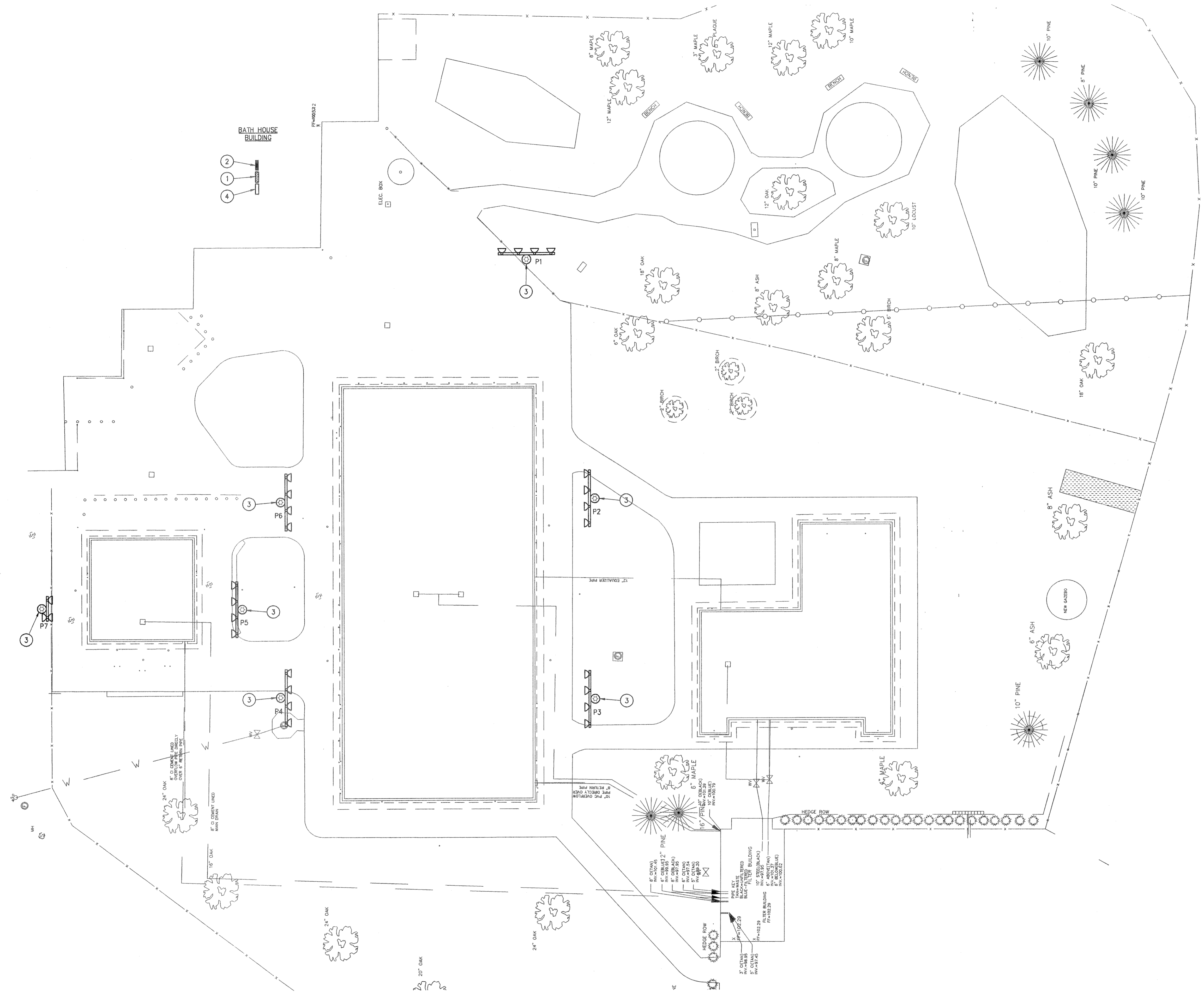


File: J:\12372\Acad\1204\12372-E-1.dwg User: 1910 7/3/2003



- LEGEND**
- CONDUIT(S) EXPOSED WITH WIRING OR PULL STRING AS INDICATED
 - - - CONDUIT(S) CONCEALED WITH WIRING OR PULL STRING AS INDICATED
 - #8 SOLID BCW GROUNDING CONDUCTOR
 - ⊕ CONNECTION TO EQUIPMENT
 - EXOTHERMIC WELD CONNECTION
 - GROUNDING BAR
 - BRANCH CIRCUIT PANELBOARD; 480/277V, 3φ, 4W U.O.N.
 - BRANCH CIRCUIT PANELBOARD; 208/120V, 3φ, 4W U.O.N.
 - LIGHTING CONTROL PANEL
 - ⊕ GFI DUPLEX RECEPTACLE; GFI - INDICATES GROUND FAULT CIRCUIT INTERRUPTER
 - WP - WEATHERPROOF ENCLOSURE
 - ⊕ HANDHOLE
 - 1 ← DETAIL NUMBER
 - E-2 ← DRAWING NUMBER
 - # INDICATES CODED NOTE NUMBER
 - ⊕ P1 EXISTING POLE MOUNTED LIGHT FIXTURE WITH (4) 1000W, 480V LAMPS
P1 - INDICATES POLE NUMBER
 - ⊕ P1 EXISTING POLE MOUNTED LIGHT FIXTURE WITH (3) 1000W, 480V LAMPS
P1 - INDICATES POLE NUMBER

- ABBREVIATIONS**
- | | | | |
|------|---------------------------|------|--------------------------|
| A | AMPERE | E.C. | ELECTRICAL CONTRACTOR |
| ACK | ACKNOWLEDGE | G | GROUND |
| AFG | ABOVE FINISHED GRADE | MCB | MAIN CIRCUIT BREAKER |
| ATS | AUTOMATIC TRANSFER SWITCH | M.C. | MECHANICAL CONTRACTOR |
| BCW | BARE COPPER WIRE | NEC | NATIONAL ELECTRICAL CODE |
| BLDG | BUILDING | NTS | NOT TO SCALE |
| C | CONDUIT | TYP | TYPICAL |
| CP | CONTROL PANEL | UON | UNLESS OTHERWISE NOTED |
| DIV | DIVISION | | |

BASE BID:

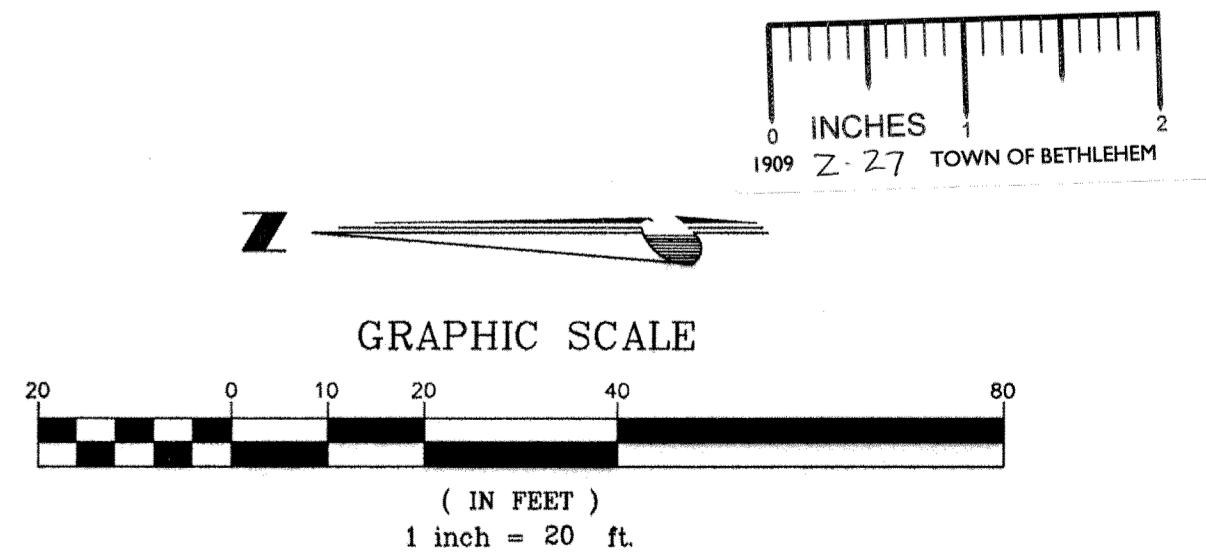
THE BASE BID WORK SHALL INCLUDE ALL THE LABOR AND MATERIAL NECESSARY TO INSTALL THE FOLLOWING: CONDUIT WITH PULL STRING FROM LIGHTING CONTROL PANEL LOCATION TO HANDHOLES AS SHOWN ON DRAWING E-2; ALL OF THE HANDHOLES AS SHOWN ON DRAWING E-2 AND BONDING AS SHOWN ON E-3. WORK ASSOCIATED WITH THE REMOVAL AND NEW WIRING FOR POLE MOUNTED LIGHT FIXTURES AND RECEPTACLES IS INCLUDED IN ALTERNATE #7.

ALTERNATE #7:

THE WORK FOR ALTERNATE #7 SHALL INCLUDE ALL THE LABOR AND MATERIAL NECESSARY TO INSTALL THE FOLLOWING: THE LIGHTING CONTROL PANEL, CIRCUIT BREAKERS IN PANEL 'DP-2' AND 'LP-2', ALL OF THE WIRING AS OUTLINED IN LIGHTING CONTROL DIAGRAM ON DRAWING E-4, BRANCH CIRCUIT CONDUCTORS TO LIGHT FIXTURES AND RECEPTACLES, ALL RECEPTACLES ON LIGHT POLES AND THE REMOVAL OF CONDUCTORS FOR THE LIGHT FIXTURES.

- CODED NOTES**
- 1 EXISTING RECESSED SQUARE D '1-LINE' PANEL 'DP-2', 480/277V, 3φ, 4W, LOCATED IN BATH HOUSE BUILDING. COORDINATE EXACT LOCATION OF PANEL IN FIELD.
 - 2 EXISTING RECESSED SQUARE D 'NAIB' PANEL 'LP-2', 120/208V, 3φ, 4W, LOCATED IN BATH HOUSE BUILDING. COORDINATE EXACT LOCATION OF PANEL IN FIELD.
 - 3 EXISTING POLE MOUNTED LIGHT FIXTURE TO REMAIN. DISCONNECT AND REMOVE WIRING FROM LIGHT FIXTURE BALLAST AND REMOVE WIRING TO BELOW GRADE. WIRING FROM BELOW GRADE TO SOURCE SHALL BE ABANDONED. REMOVAL SHALL INCLUDE CIRCUIT BREAKER IN PANEL 'DP-2'.
 - 4 DISCONNECT AND REMOVE EXISTING TIME CLOCK. REMOVAL SHALL INCLUDE WIRING BACK TO SOURCE.

1 ELECTRICAL SITE PLAN - DEMOLITION
SCALE: 1"=20'-0"



Revisions:	Drawn By:	App'd. By:	Date:



Designed By: RJP Date: 7/03
 Drawn By: KHO Date: 7/03
 Checked By: SLN Date: 7/03

UNAUTHORIZED ALTERATION OR ADDITION TO THIS DOCUMENT IS A VIOLATION OF SECTION 7209 SUBDIVISION 2 OF THE NEW YORK STATE EDUCATION LAW

TOWN OF BETHLEHEM
 PARKS & RECREATION DEPARTMENT
 261 ELM AVENUE
 DELMAR, NEW YORK 12054
 (518) 439-4131



CHA CLOUGH, HARBOUR & ASSOCIATES LLP
 ENGINEERS, SURVEYORS, PLANNERS & LANDSCAPE ARCHITECTS
 III WINNERS CIRCLE - ALBANY, NEW YORK - 12205
 P.O. BOX 5269 518-453-4500
 www.cloughharbour.com
 CHA Project No. 12372.1000.1103

ELM AVENUE PARK POOL COMPLEX FACILITY UPGRADE

ELECTRICAL SITE PLAN - DEMOLITION

SCALE: AS SHOWN DATE: JULY 2, 2003

Drawing No. **E-1**
 SHEET 8 OF 13