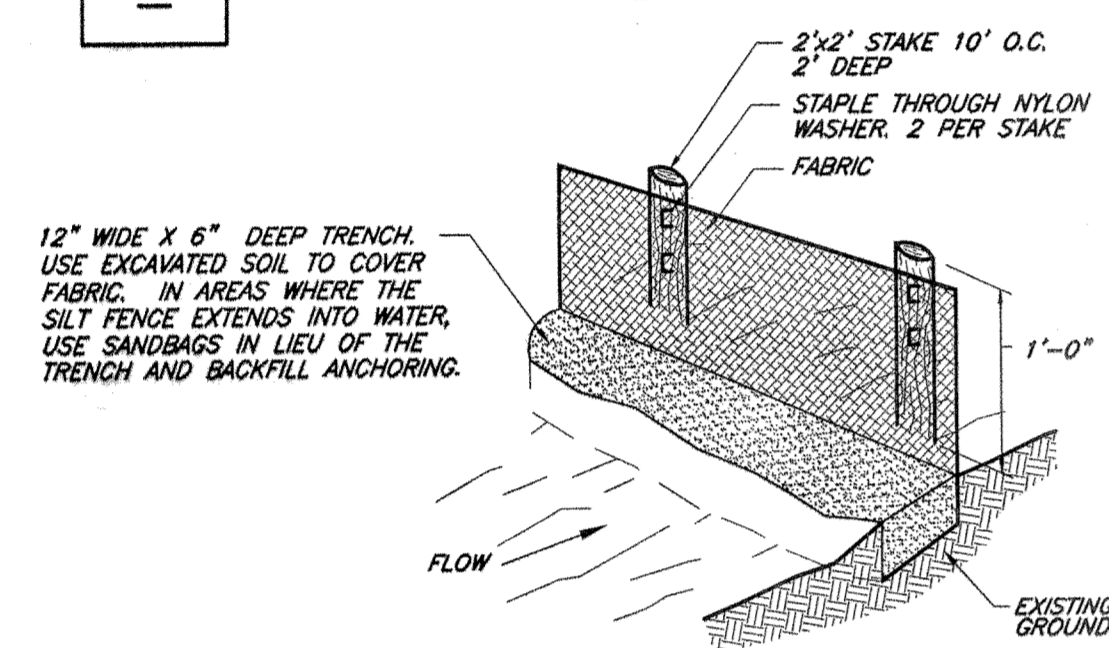
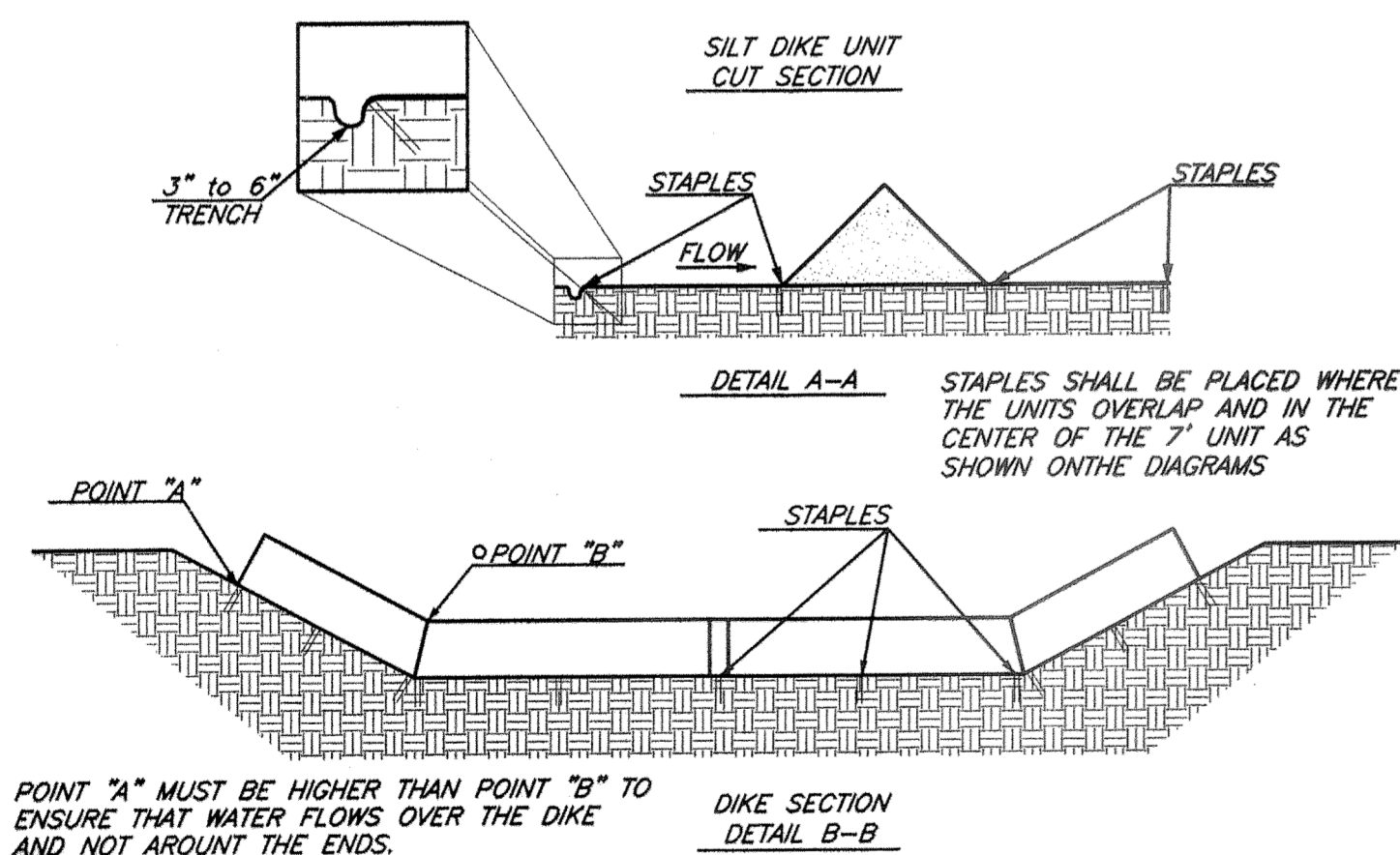
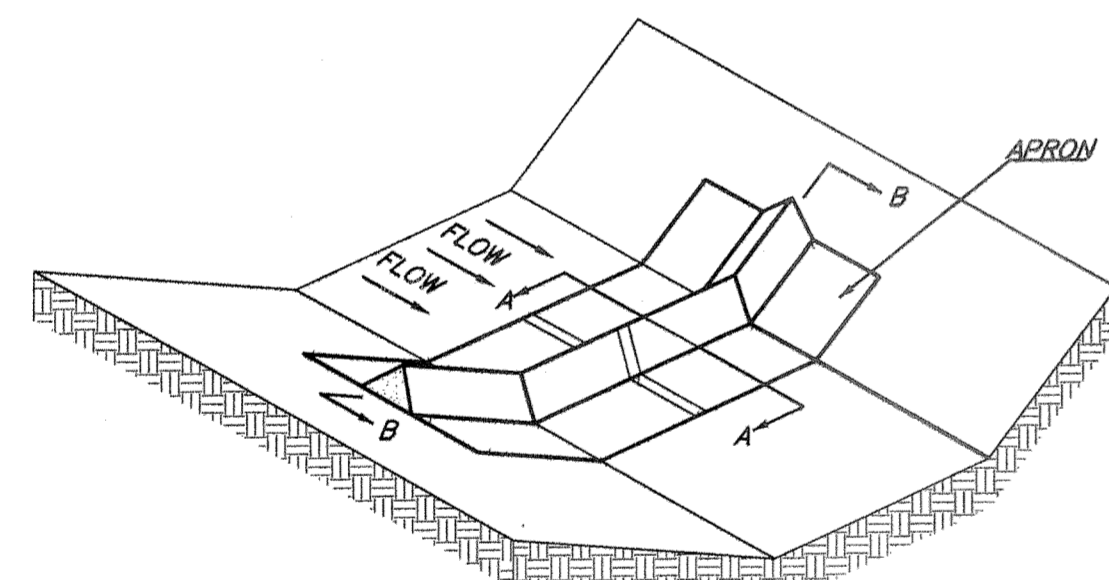


1. STONE SIZE—USE 2" STONE, OR RECLAIMED OR RECYCLED CONCRETE EQUIVALENT.
2. LENGTH—AS REQUIRED, BUT NOT LESS THAN 50'.
3. THICKNESS—NOT LESS THAN 6".
4. WIDTH—15' MINIMUM, BUT NO LESS THAN THE FULL WIDTH AT POINTS WHERE INGRESS OR EGRESS OCCURS.
5. FILTER CLOTH—WILL BE PLACED OVER THE ENTIRE AREA PRIOR TO PLACING OF STONE.
6. MAINTENANCE—THE ENTRANCE SHALL BE MAINTAINED IN A CONDITION WHICH WILL PREVENT TRACKING OR FLOWING OF SEDIMENT ONTO PUBLIC RIGHTS-OF-WAY. THIS MAY REQUIRE PERIODIC TOP DRESSING WITH ADDITIONAL STONE AS CONDITIONS DEMAND AND REPAIR AND/OR CLEANOUT OF ANY MEASURES USED TO TRAP SEDIMENT. ALL SEDIMENT SPILLED, DROPPED, WASHED, OR TRACKED ONTO PUBLIC RIGHTS-OF-WAY MUST BE REMOVED IMMEDIATELY.
7. PERIODIC INSPECTION AND NEEDED MAINTENANCE SHALL BE PROVIDED AFTER EACH RAIN.

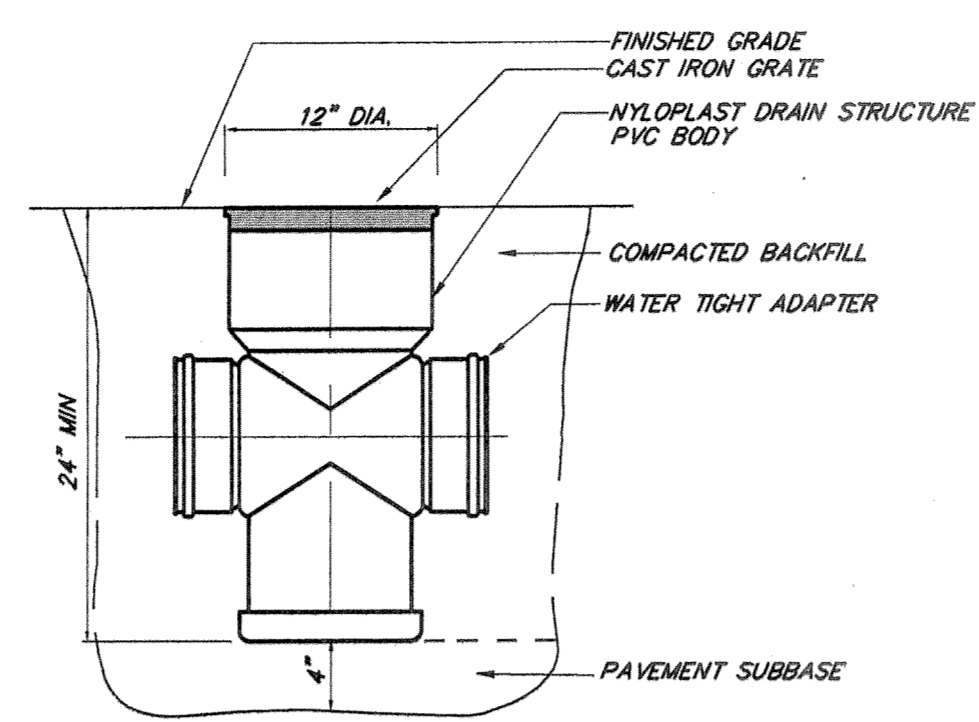
1 STABILIZED CONSTRUCTION ENTRANCE DETAIL
NO SCALE



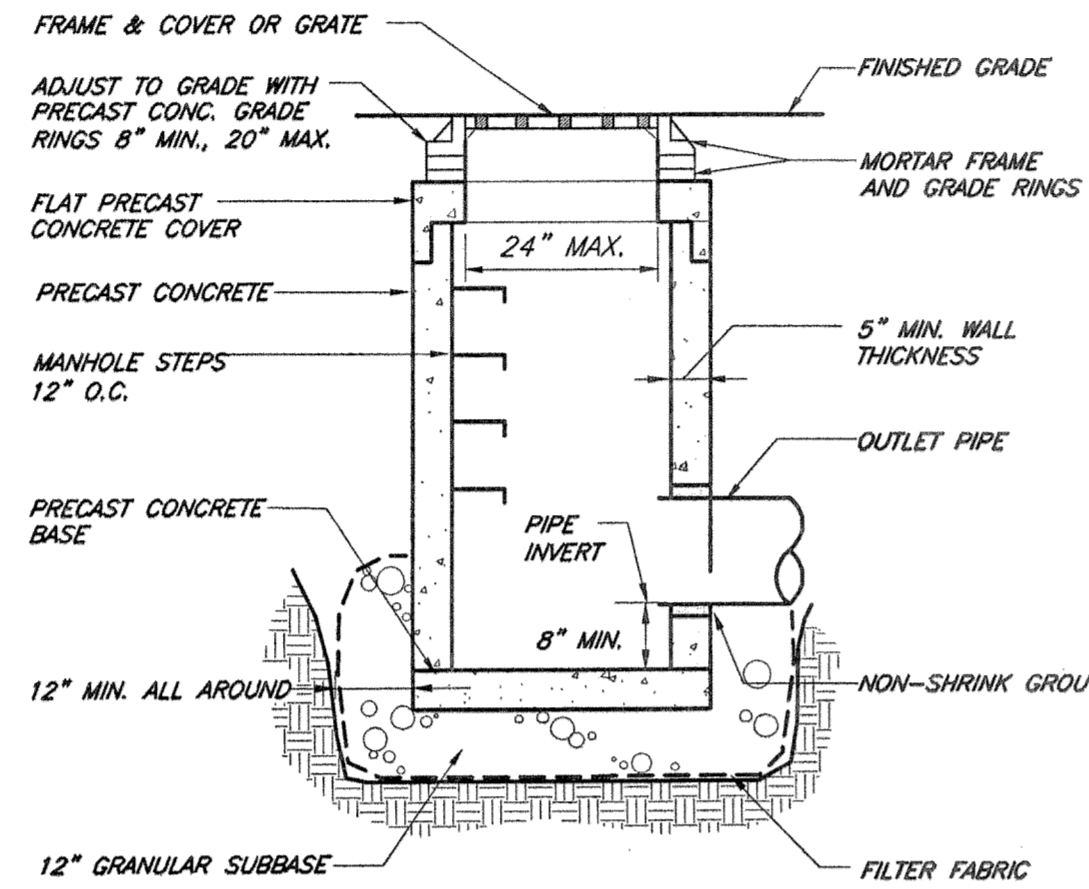
2 SILTATION FENCE
NOT TO SCALE



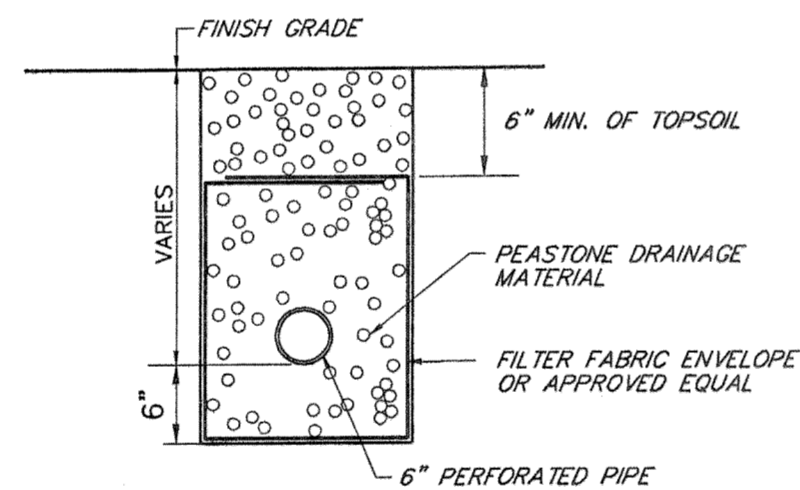
3 TRIANGULAR SILT DIKE DETAIL
NO SCALE



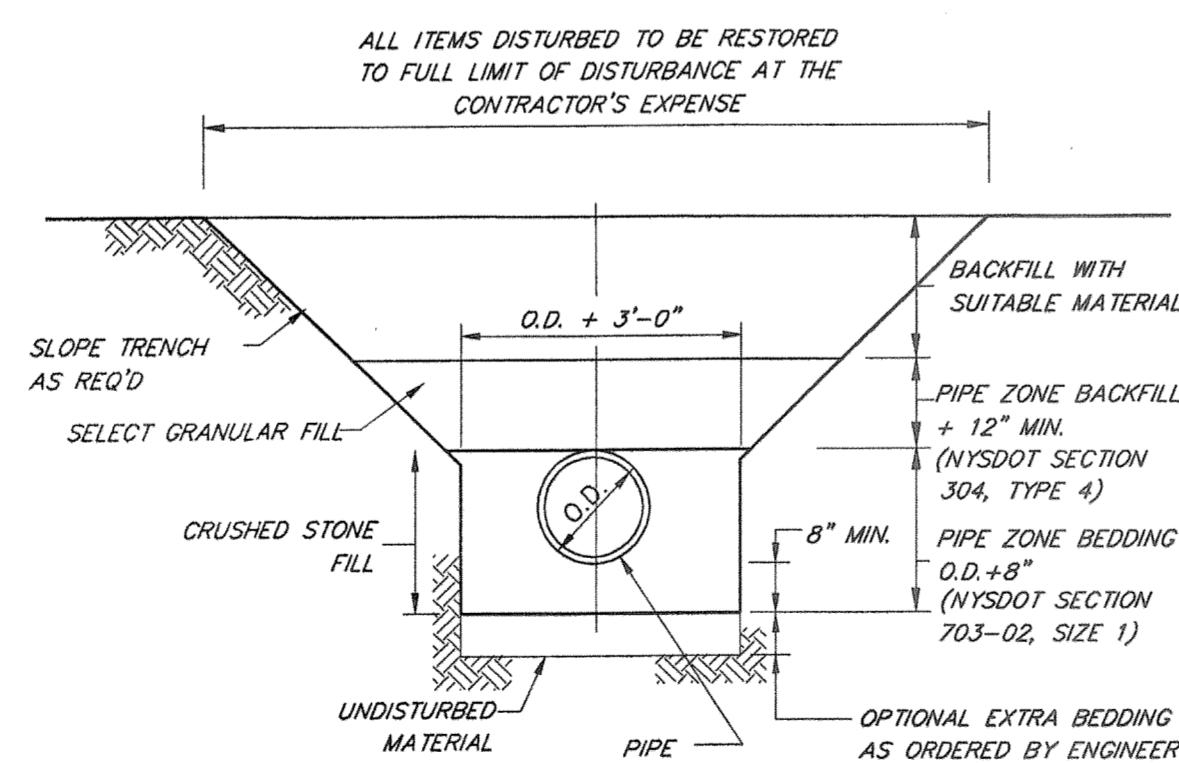
4 12" DRAINAGE BASIN
SCALE: NOT TO SCALE



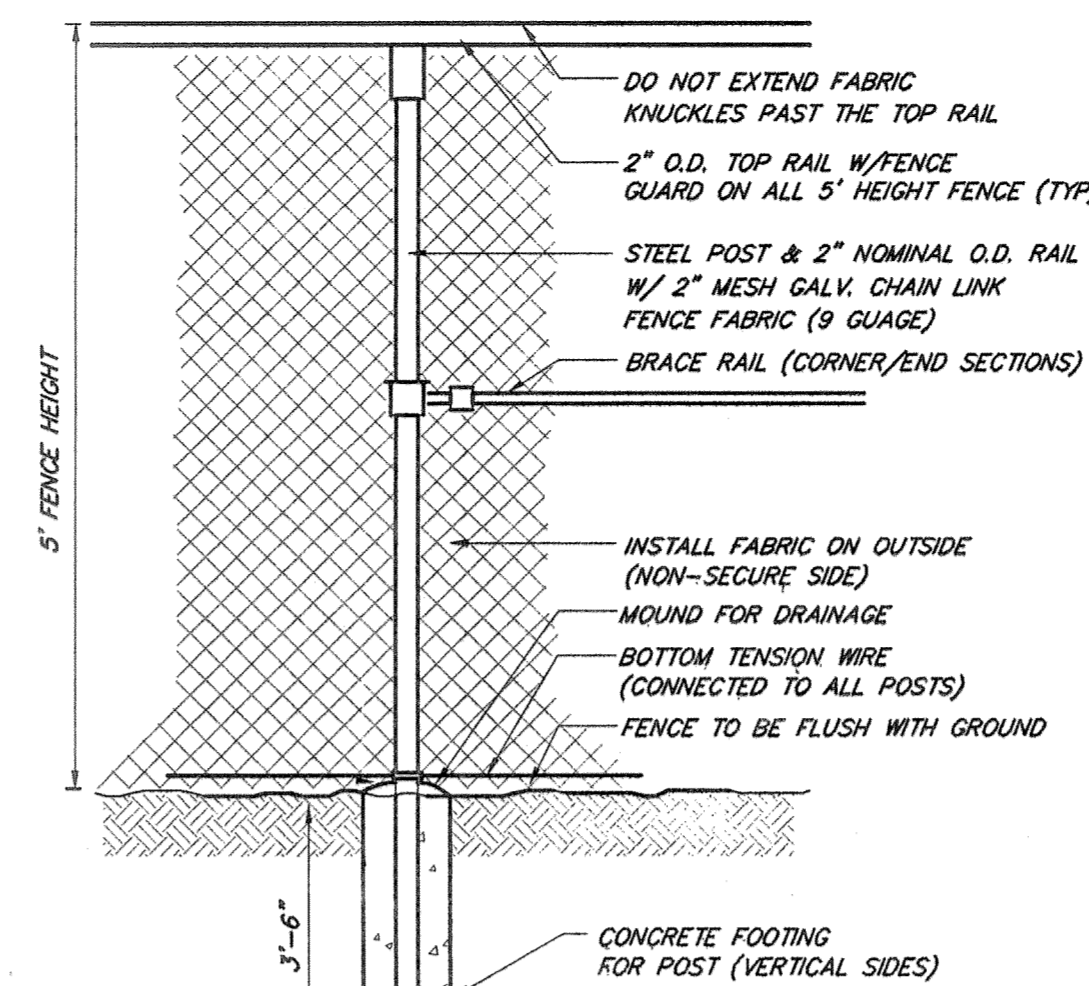
5 DROP INLET
SCALE: NOT TO SCALE



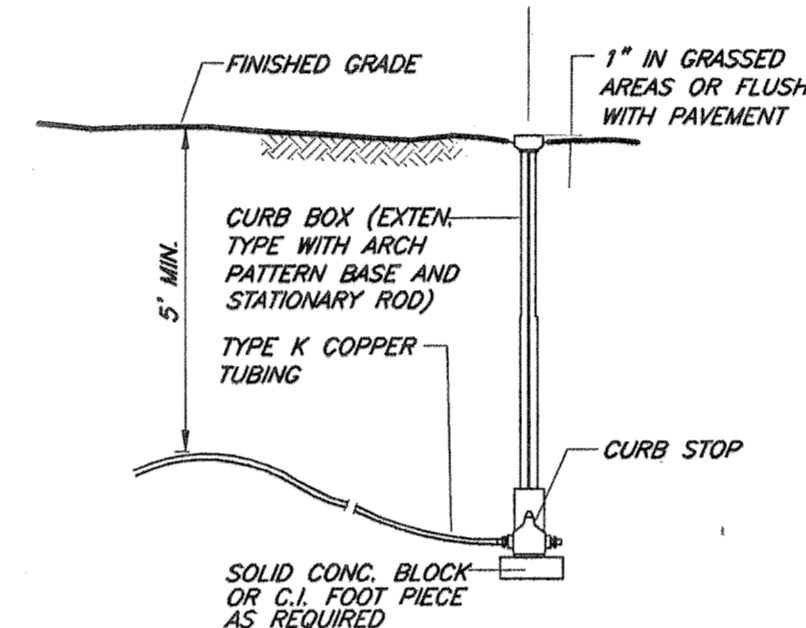
6 UNDERDRAIN PIPING
SCALE: NOT TO SCALE



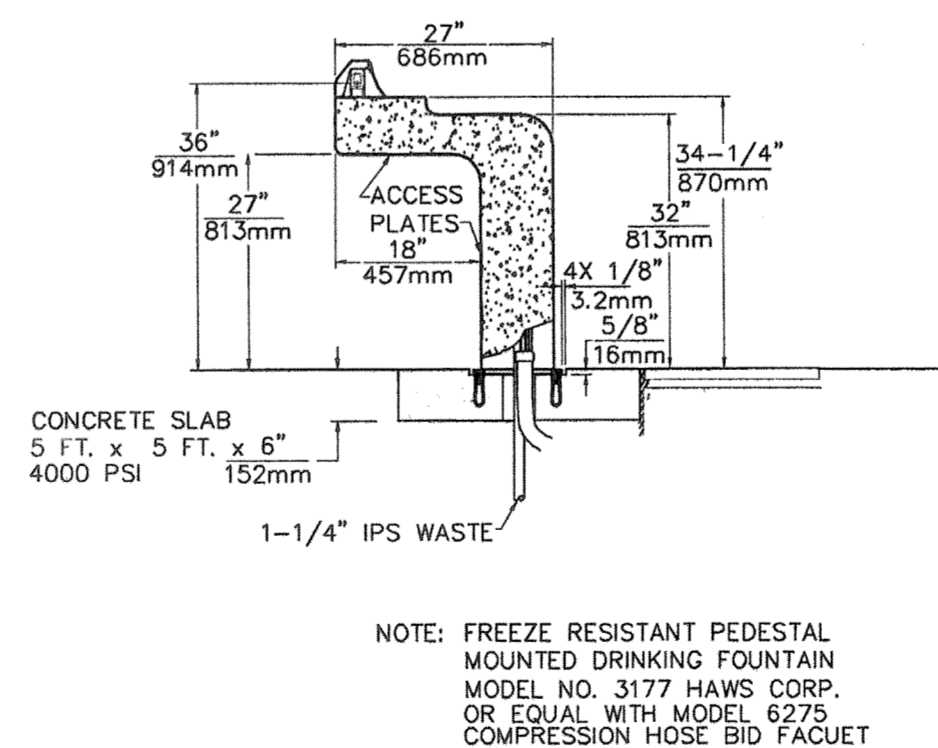
7 TYPICAL TRENCH
SCALE: NOT TO SCALE



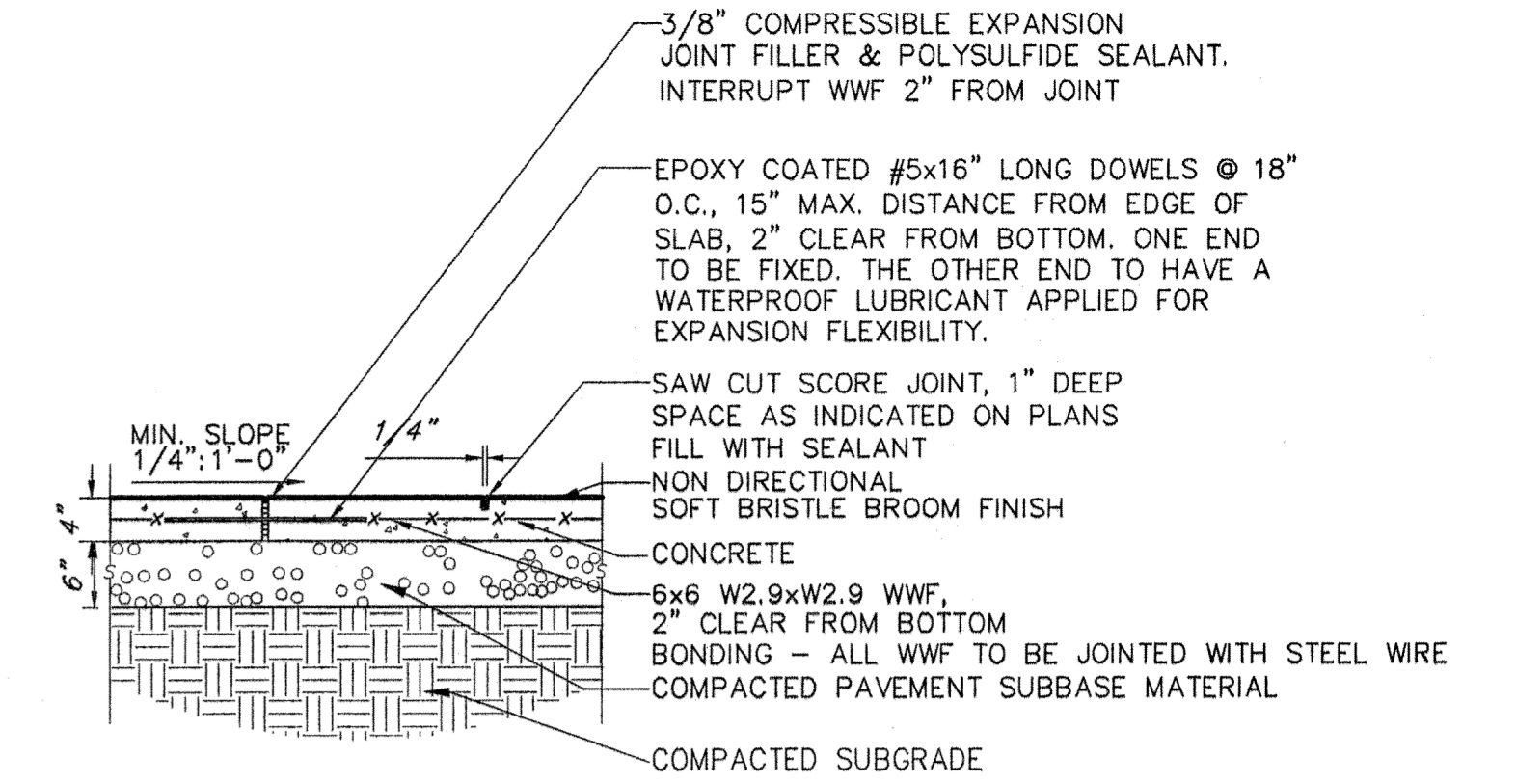
8 CHAIN LINK FENCE
NO SCALE



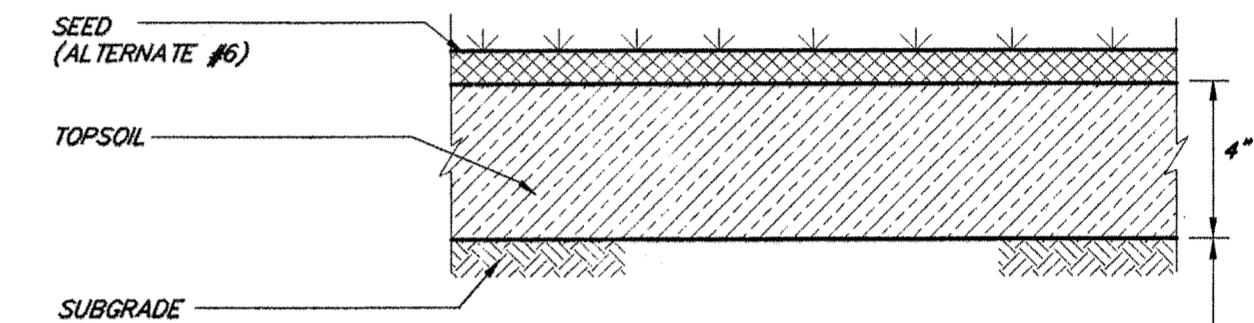
9 WATER SERVICE PIPE CONNECTION DETAIL
SCALE: NOT TO SCALE



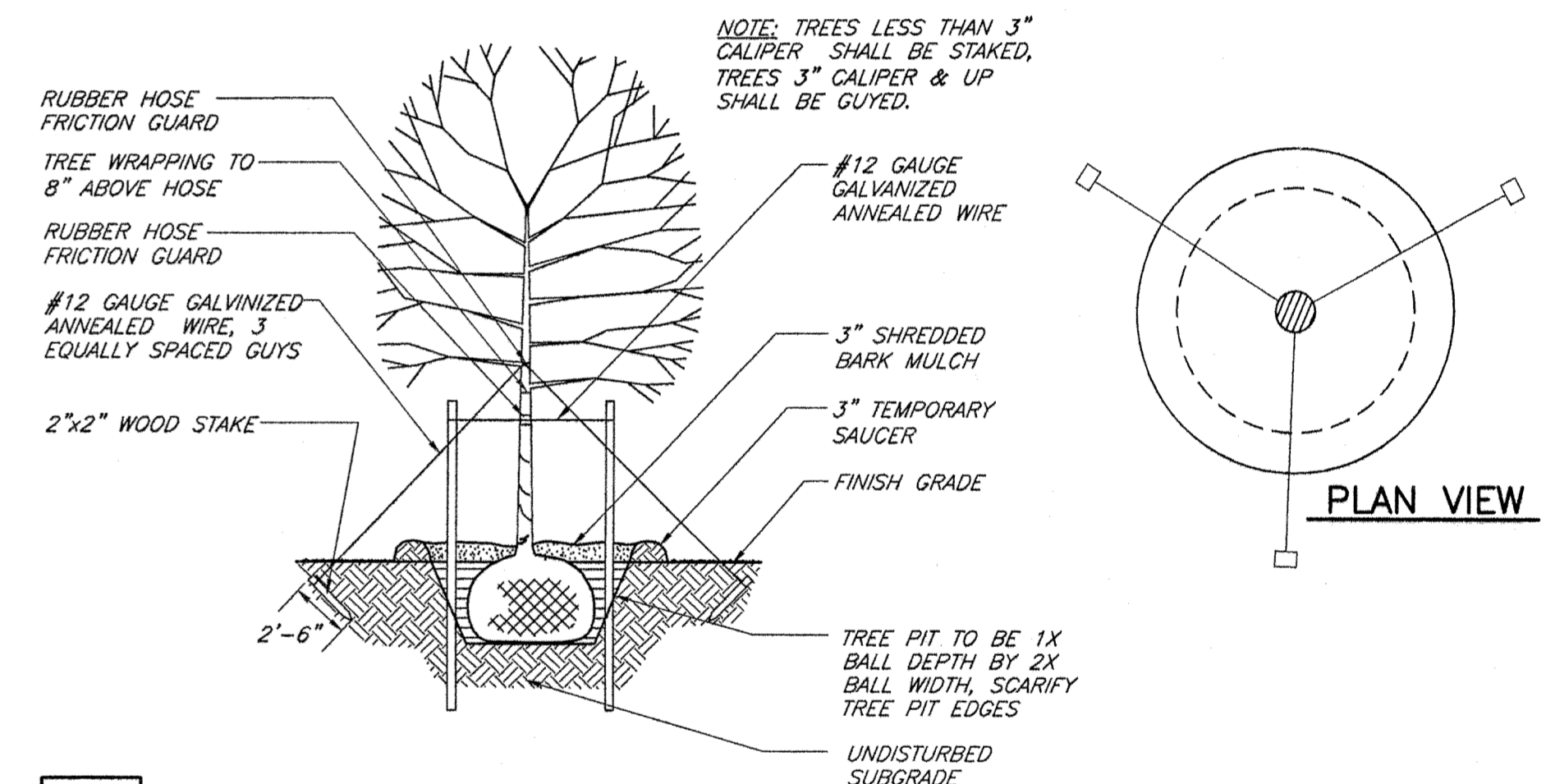
10 DRINKING FOUNTAIN DETAIL
NO SCALE



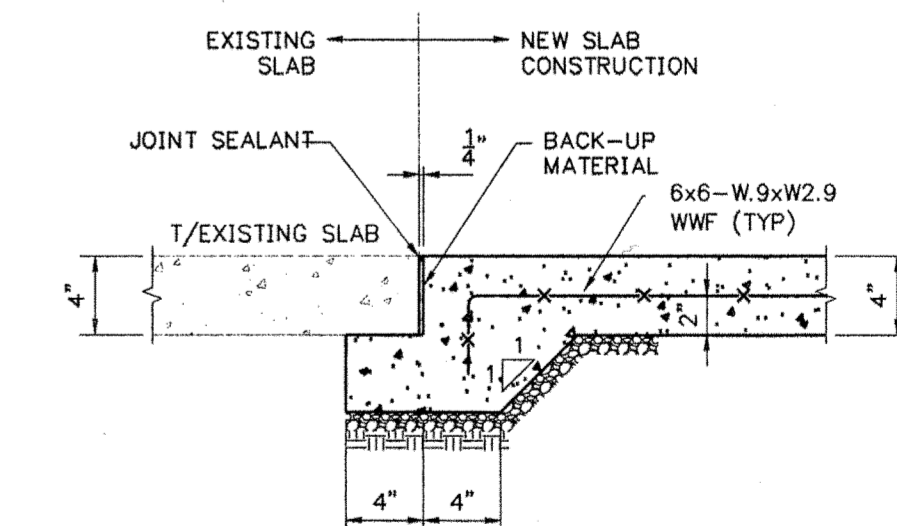
11 CONCRETE DECK (CONTROL AND EXPANSION JOINTS)
NO SCALE



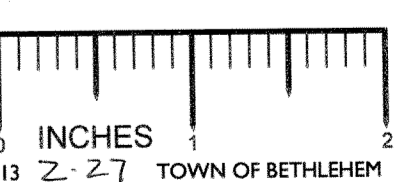
12 TURF SECTION
NO SCALE



13 DECIDUOUS TREE PLANTING
SCALE: NOT TO SCALE



14 DETAIL FOR NEW CONCRETE POURED ADJACENT TO EXISTING CONCRETE
NO SCALE

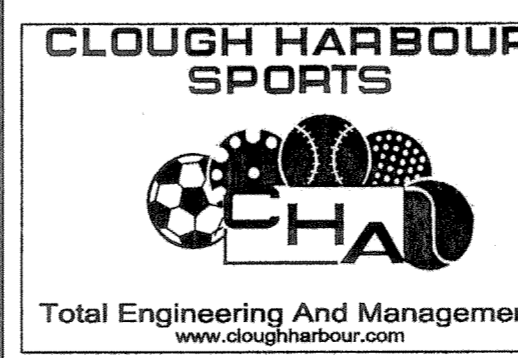


Revisions:	Drawn By:	App'd. By:	Date:



Designed By: DJD Date: 7/03
 Drawn By: DJW Date: 7/03
 Checked By: RLR Date: 7/03
 UNAUTHORIZED ALTERATION OR ADDITION TO THIS DOCUMENT IS A VIOLATION OF SECTION 7209 SUBDIVISION 2 OF THE NEW YORK STATE EDUCATION LAW

TOWN OF BETHLEHEM
 PARKS & RECREATION DEPARTMENT
 261 ELM AVENUE
 DELMAR, NEW YORK 12054
 (518) 439-4131



CHA CLOUGH, HARBOUR & ASSOCIATES LLP
 ENGINEERS, SURVEYORS, PLANNERS & LANDSCAPE ARCHITECTS
 III WINNERS CIRCLE - ALBANY, NEW YORK - 12205
 P.O. BOX 5269 518-453-4500
 www.cloughharbour.com
 CHA Project No. 12372.1000.1103

ELM AVENUE PARK POOL COMPLEX FACILITY UPGRADE
 SITE DETAILS
 SCALE: AS SHOWN DATE: JULY 2, 2003

Drawing No. **D-1**
 SHEET 12 OF 13