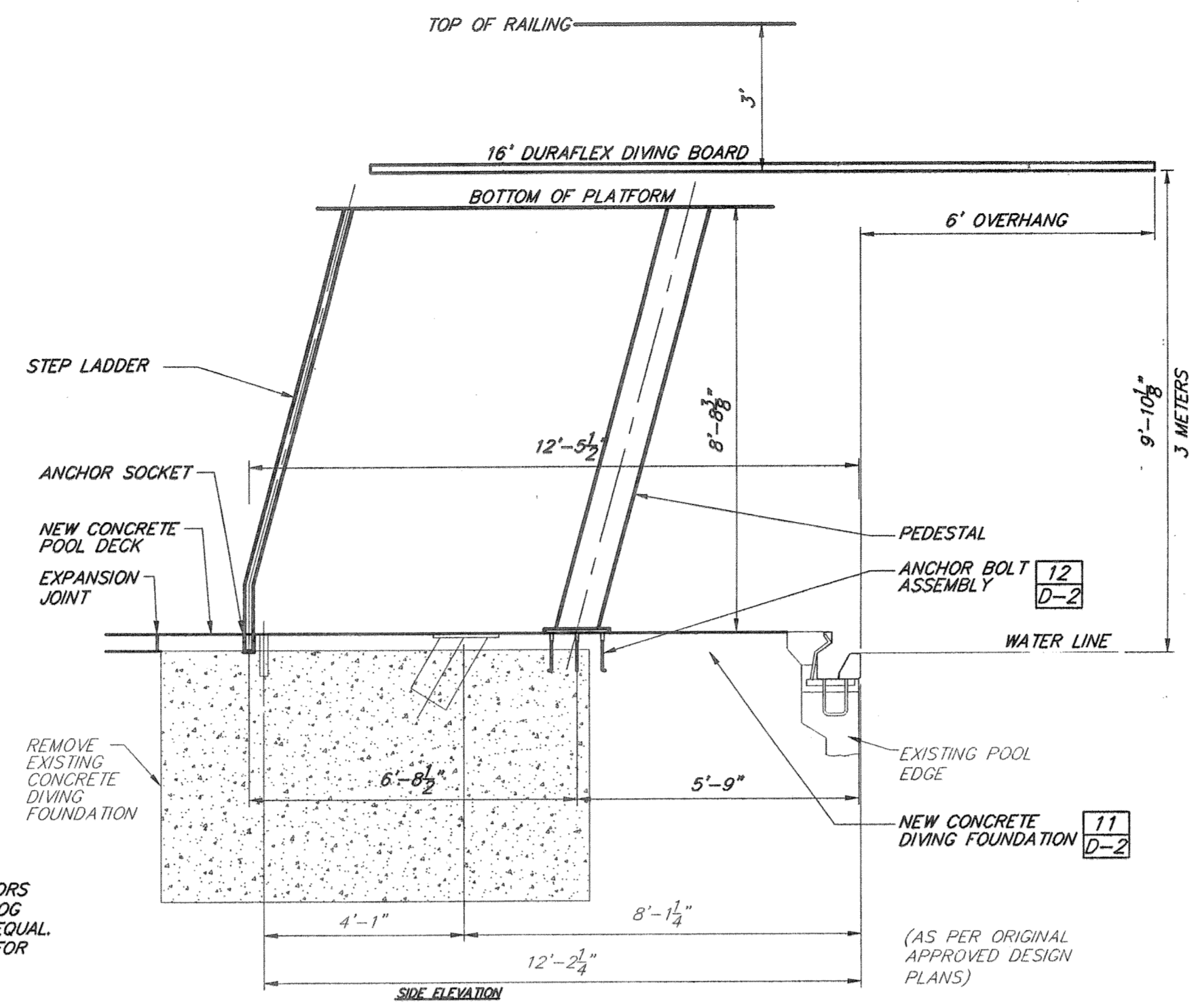
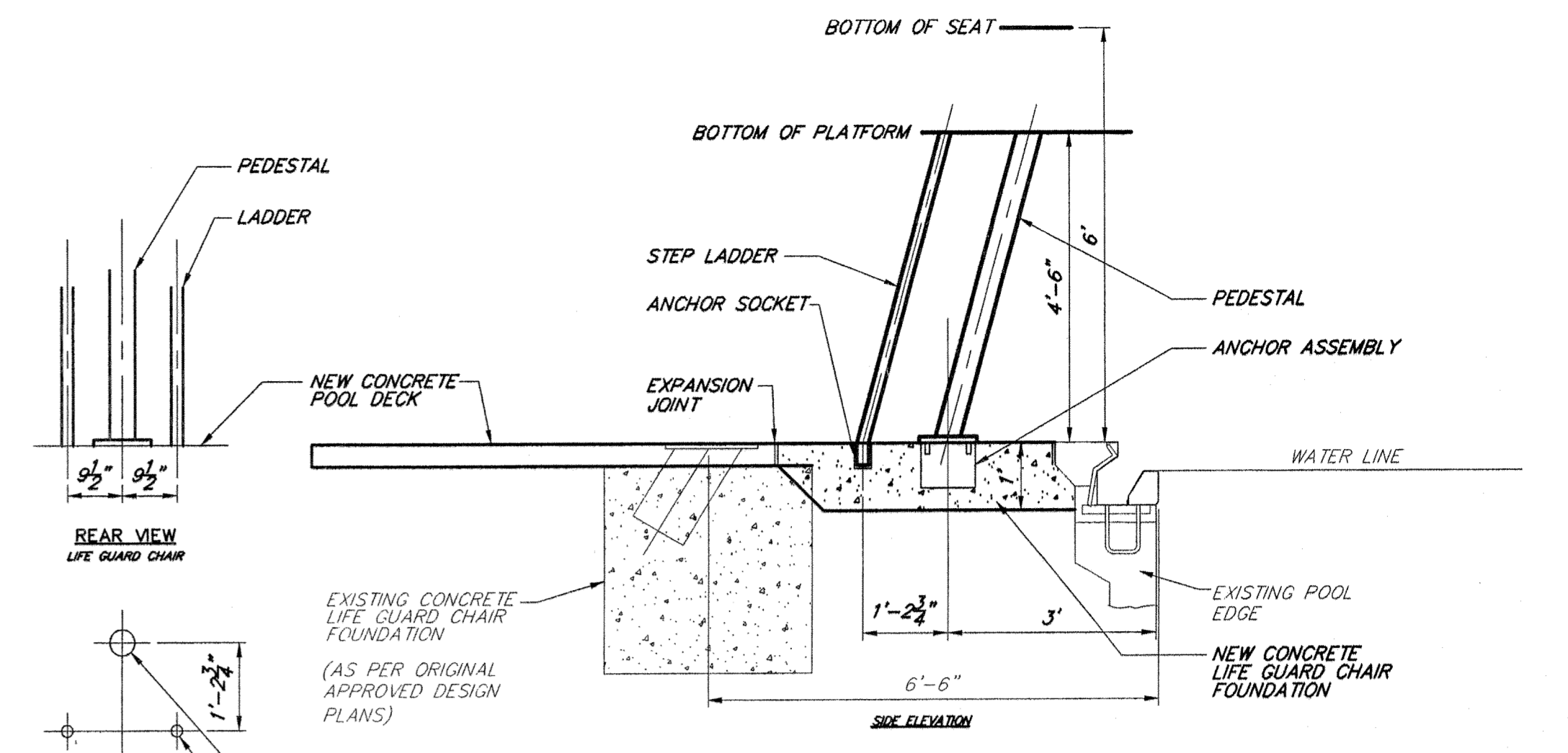


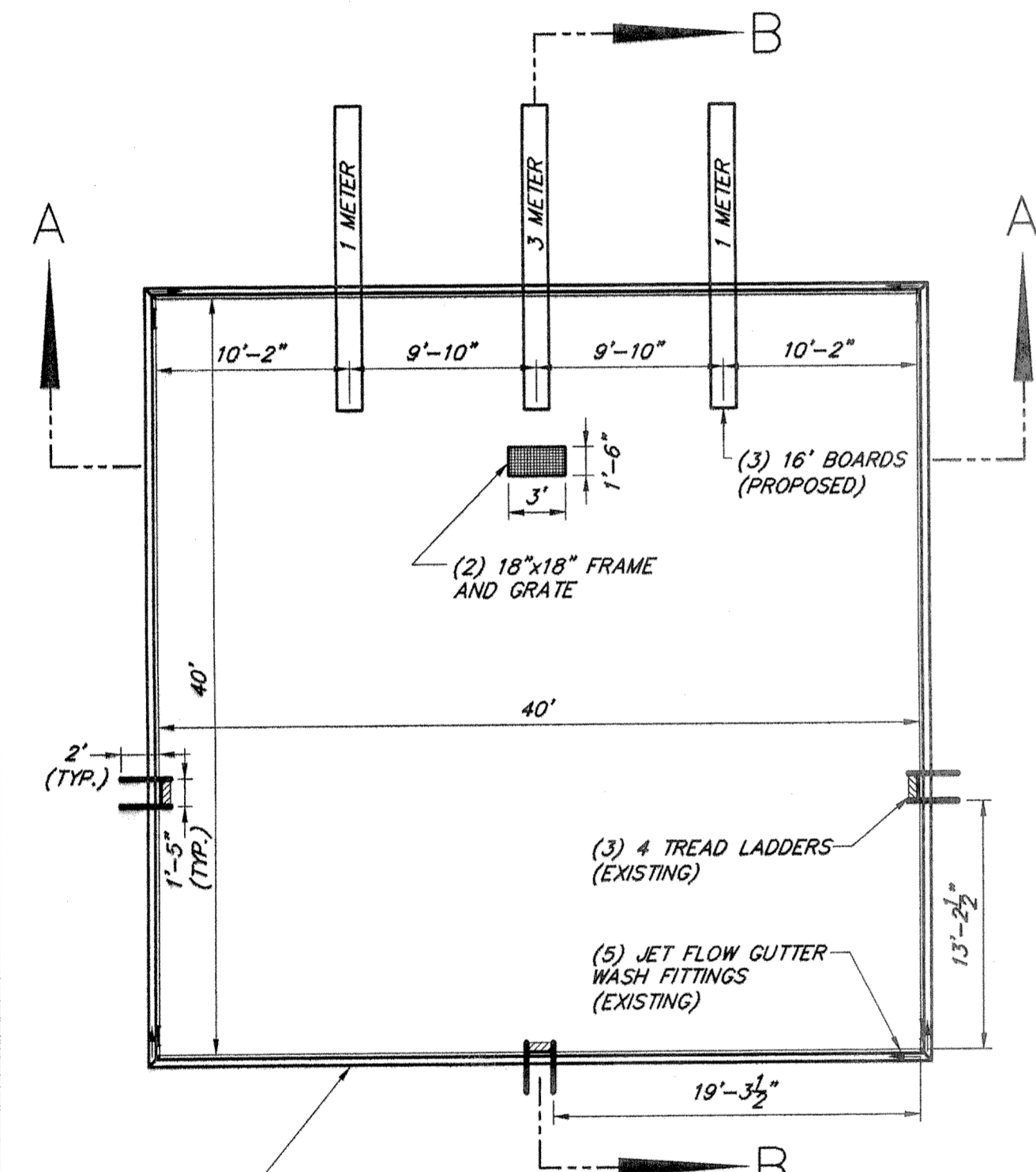
1 1 METER CANTILEVER DIVING SUPPORT  
SCALE: NOT TO SCALE



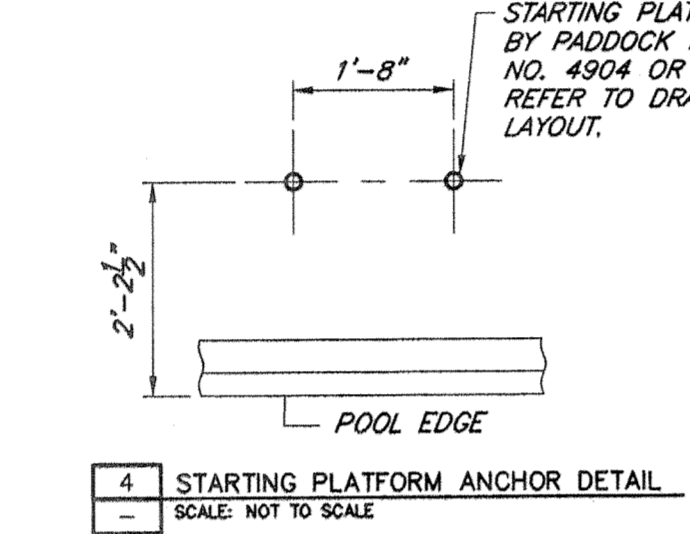
7 3 METER CANTILEVER DIVING SUPPORT (NEW & EXISTING)  
SCALE: NOT TO SCALE



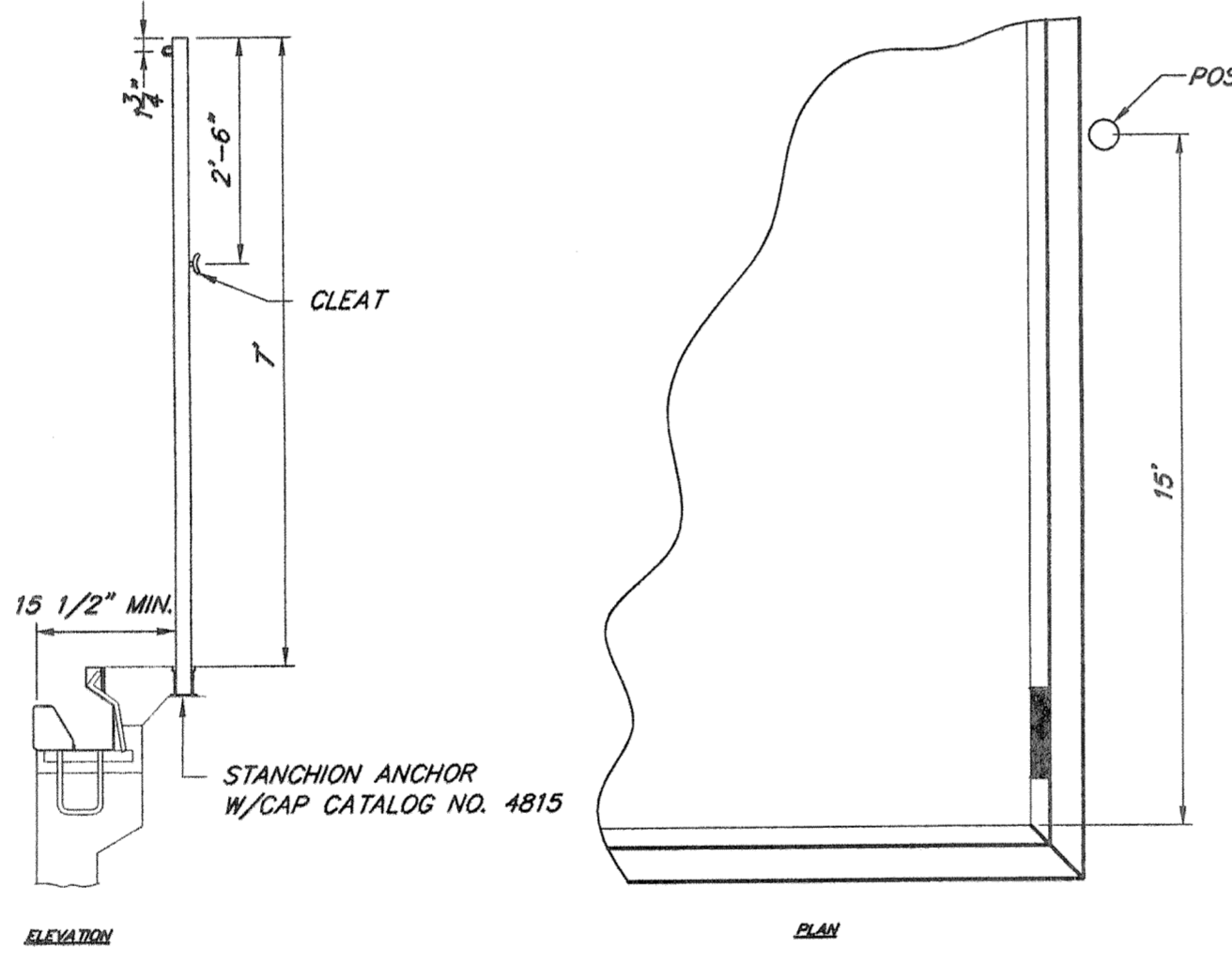
10 CANTILEVER LIFE GUARD CHAIR  
SCALE: NOT TO SCALE



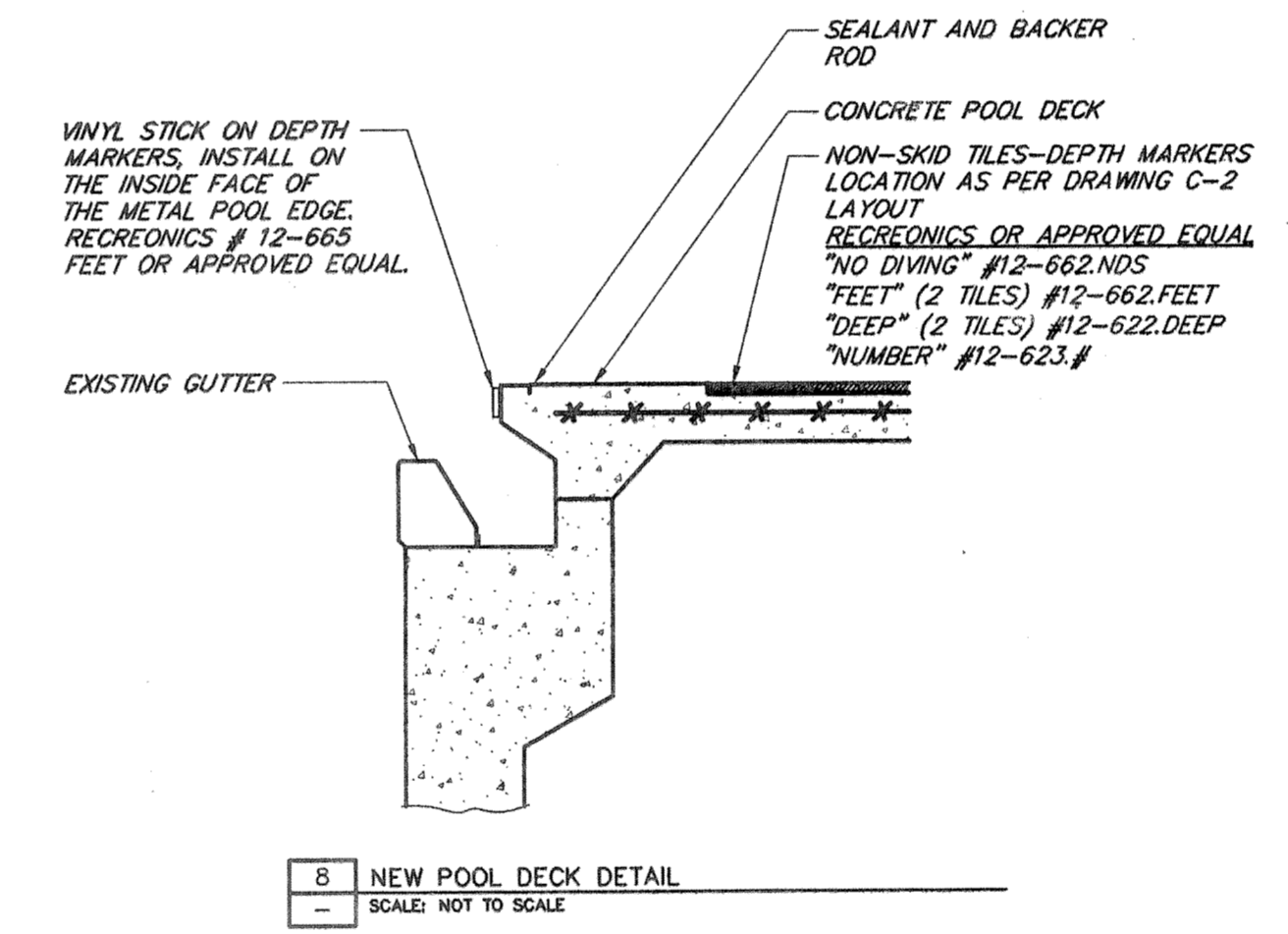
2 EXISTING DIVING POOL PLAN LAYOUT  
SCALE: NOT TO SCALE



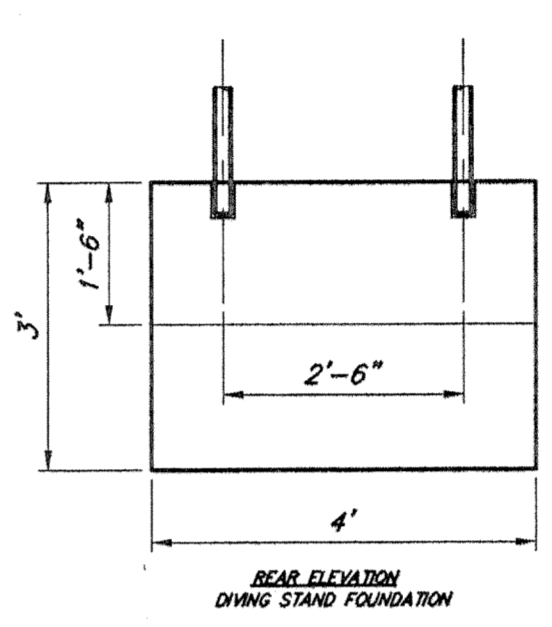
4 STARTING PLATFORM ANCHOR DETAIL  
SCALE: NOT TO SCALE



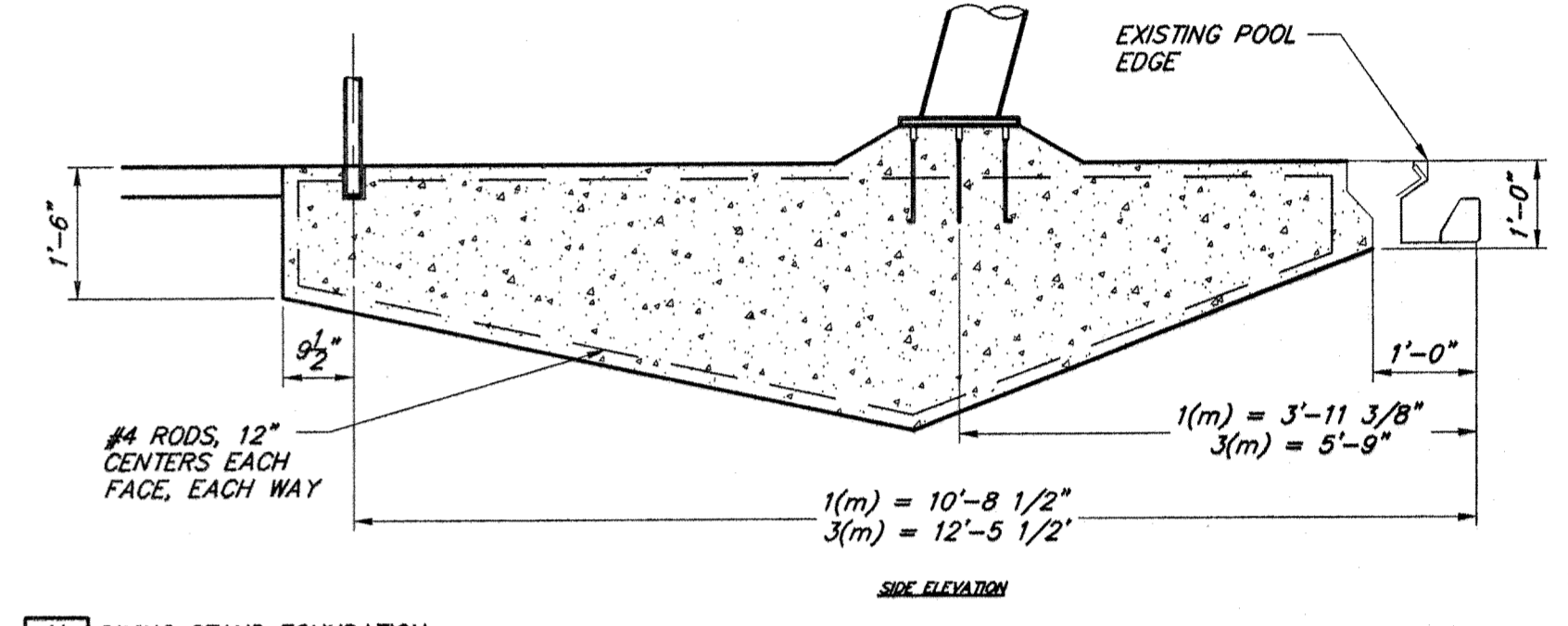
5 BACKSTROKE MARKER POST  
SCALE: NOT TO SCALE



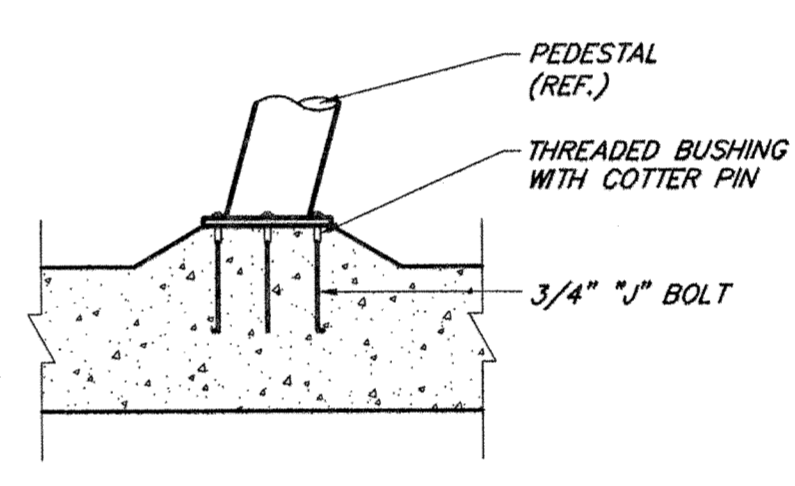
8 NEW POOL DECK DETAIL  
SCALE: NOT TO SCALE



11 DIVING STAND FOUNDATION  
SCALE: NOT TO SCALE



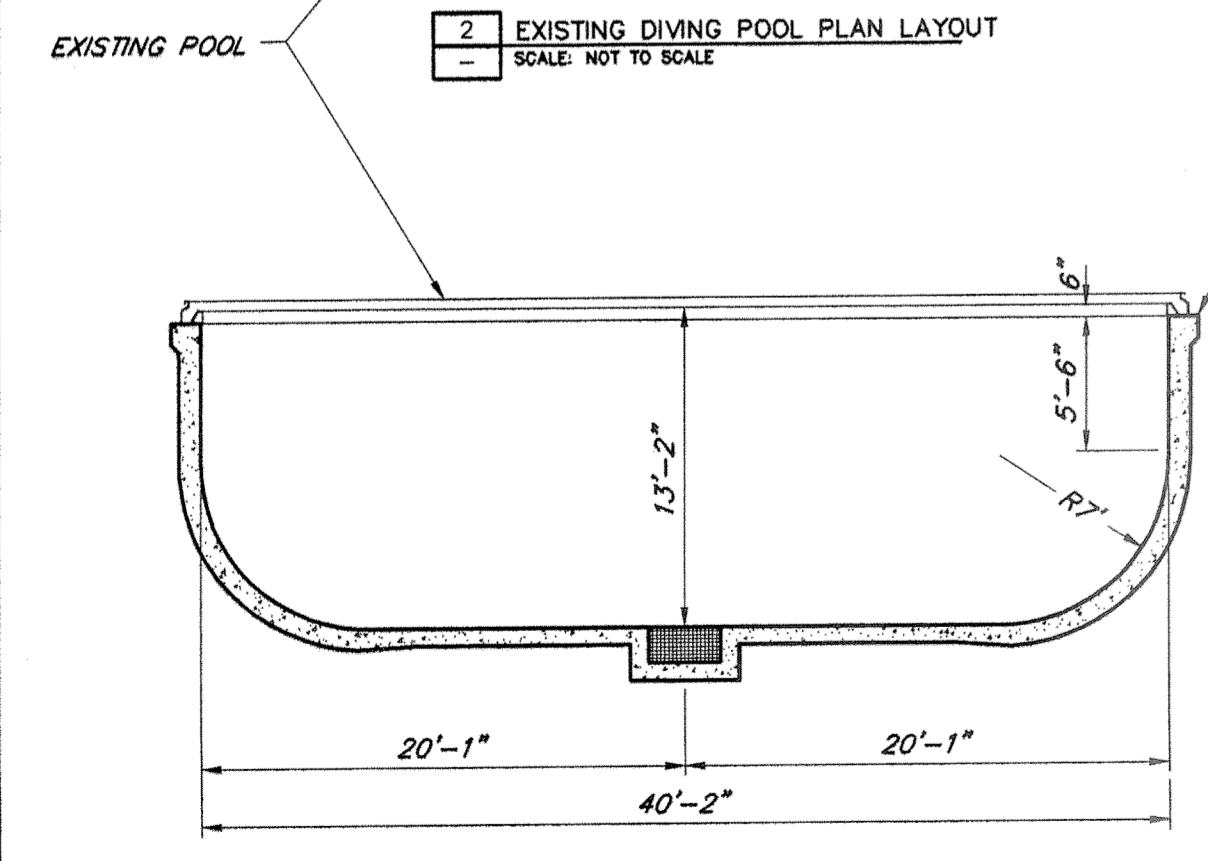
11 DIVING STAND FOUNDATION  
SCALE: NOT TO SCALE



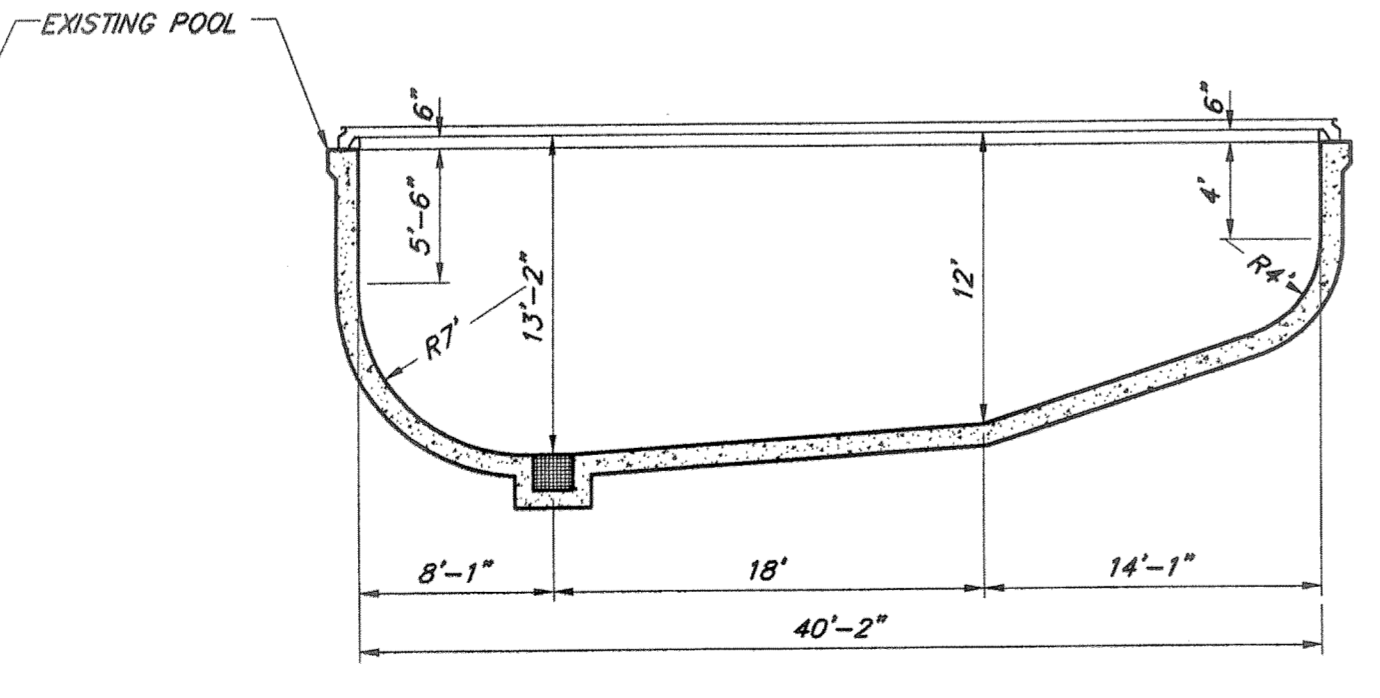
12 DIVING STAND ANCHOR BOLT ASSEMBLY  
SCALE: NOT TO SCALE

**ANCHOR BOLT ASSEMBLY**  
STANDARD ASSEMBLY FOR ANCHORING PEDESTALS IN FOUNDATION SLAB ON GRADE.  
CATALOG NO. 12307

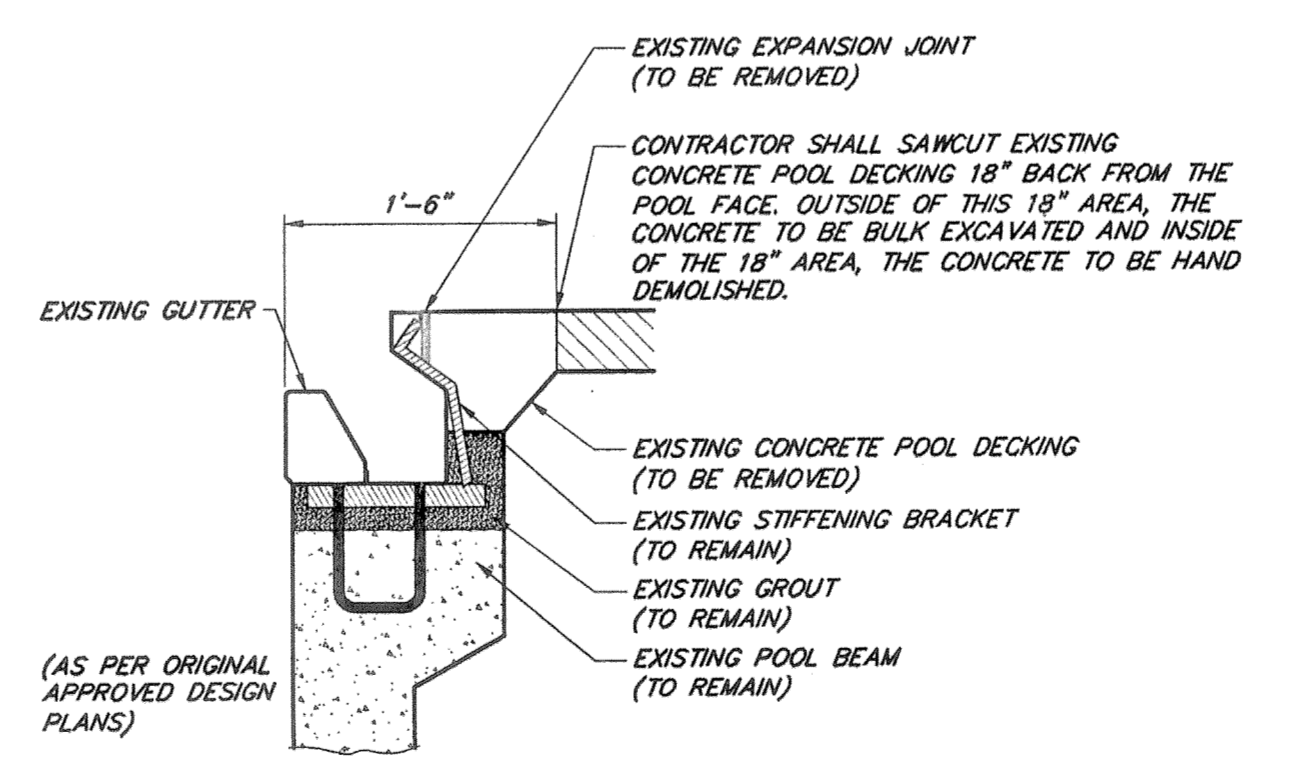
**SPECIFICATIONS:**  
THE ANCHOR BOLT ASSEMBLY SHALL CONSIST OF A PLYWOOD TEMPLATE FOR ALIGNING AND SETTING THE ASSEMBLY IN THE PROPER LOCATION AND (B) EACH OF THE FOLLOWING: 3/4"-10 x 1 3/4" ZINC PLATED HEAD BOLTS; 3/4" ZINC PLATED LOCK WASHERS; 3/4"-10 CARBON STEEL BUSHINGS; 1/8" x 2" STAINLESS STEEL COTTER PINS; AND 3/4"-10 x 14" CARBON STEEL "J" BOLTS. THE ANCHOR BOLT ASSEMBLY IS ALSO AVAILABLE IN STAINLESS STEEL (#12308) AND WITH STAINLESS STEEL BUSHINGS AND CARBON STEEL "J" BOLTS (#12309).



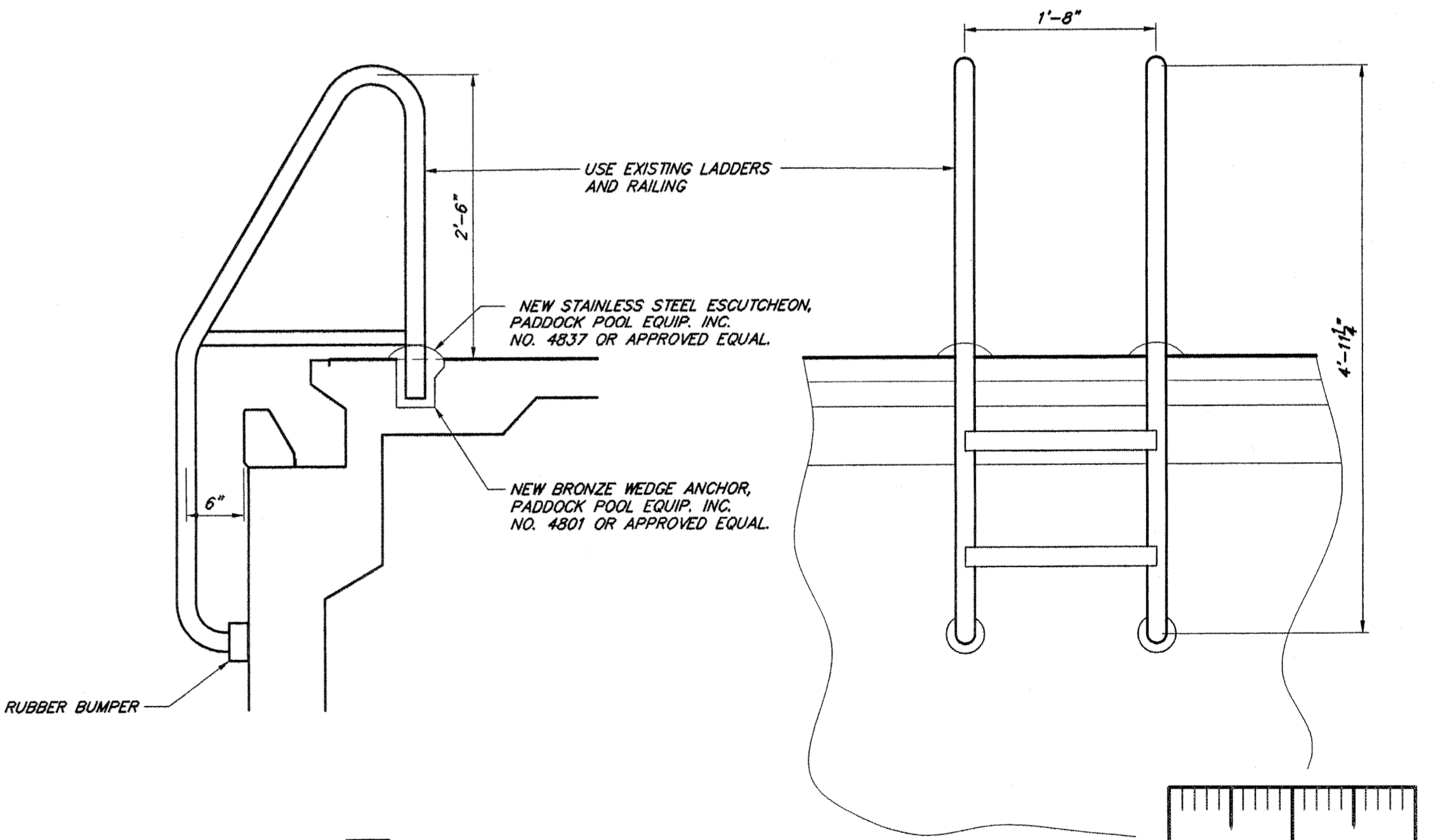
3 EXISTING DIVING POOL ELEVATION  
SECTION "A-A"  
SCALE: NOT TO SCALE



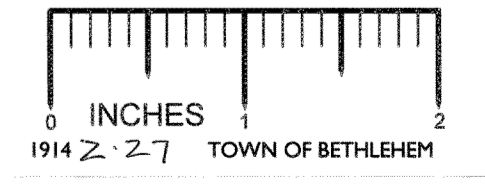
6 EXISTING DIVING POOL ELEVATION  
SECTION "B-B"  
SCALE: NOT TO SCALE



9 EXISTING POOL BEAM, GUTTER AND DECKING DETAIL  
SCALE: NOT TO SCALE



13 LADDER & RAILING ANCHOR  
SCALE: NOT TO SCALE



Revisions:	Drawn By:	App'd. By:	Date:

Designed By: DJO Date: 7/03  
 Drawn By: DMW Date: 7/03  
 Checked By: RCR Date: 7/03

UNAUTHORIZED ALTERATION OR ADDITION TO THIS DOCUMENT IS A VIOLATION OF SECTION 7209 SUBDIVISION 2 OF THE NEW YORK STATE EDUCATION LAW

**TOWN OF BETHLEHEM**  
 PARKS & RECREATION DEPARTMENT  
 261 ELM AVENUE  
 DELMAR, NEW YORK 12054  
 (518) 439-4131

**CLOUGH HARBOUR SPORTS**

**CHA**  
 Total Engineering And Management  
 www.cloughharbour.com

**CHA CLOUGH, HARBOUR & ASSOCIATES LLP**  
 ENGINEERS, SURVEYORS, PLANNERS & LANDSCAPE ARCHITECTS  
 III WINNERS CIRCLE - ALBANY, NEW YORK - 12205  
 P.O. BOX 5269 518-453-4500  
 www.cloughharbour.com  
 CHA Project No. 12372.1000.1103

**ELM AVENUE PARK POOL COMPLEX FACILITY UPGRADE**

**SITE DETAILS**

SCALE: AS SHOWN DATE: JULY 2, 2003

Drawing No. **D-2**

SHEET 13 OF 13