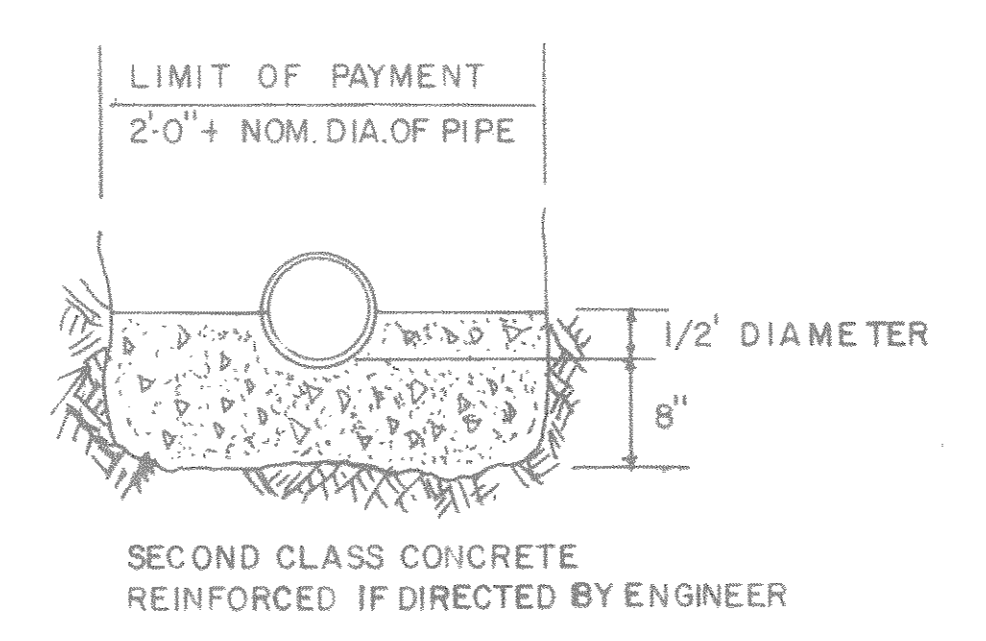
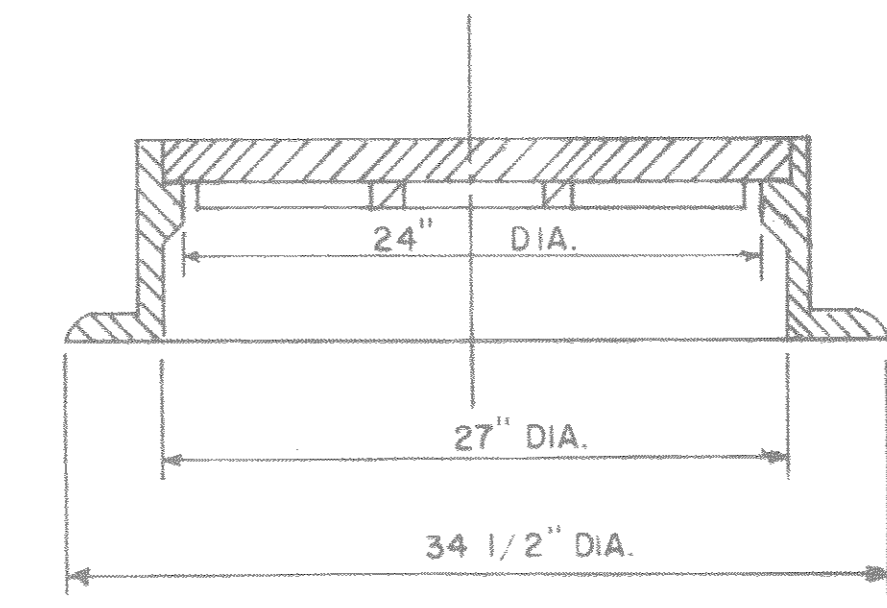
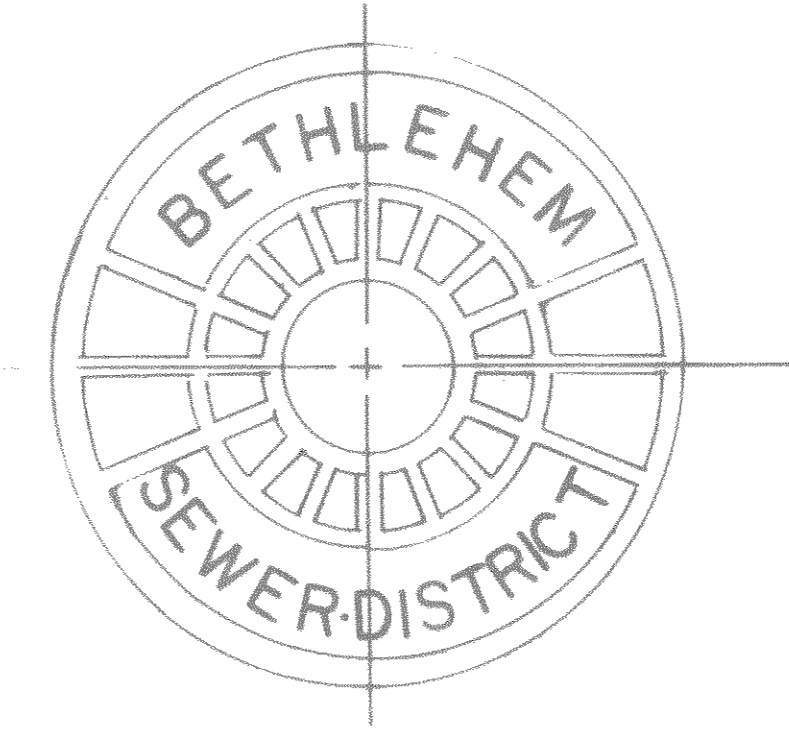


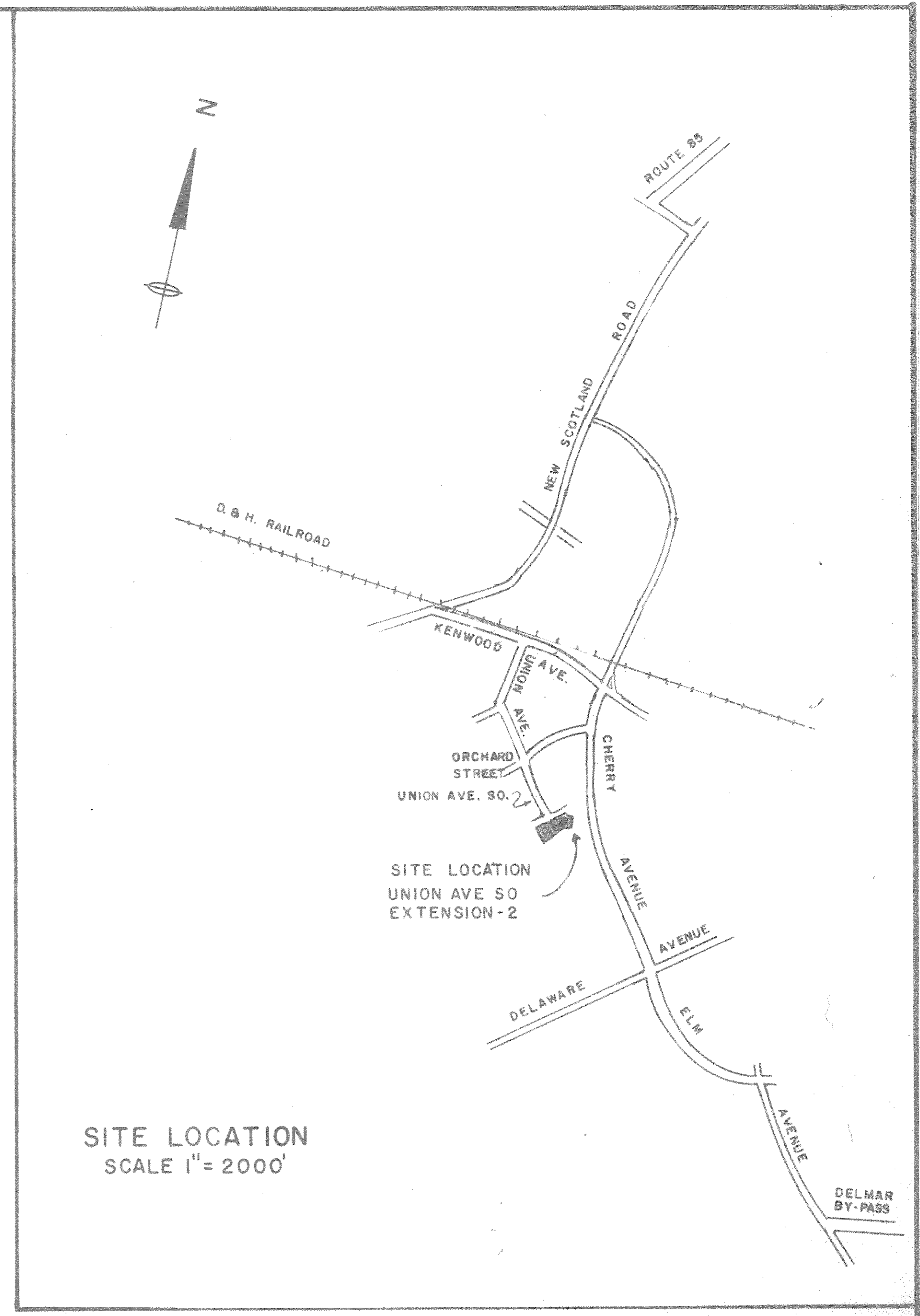
NOTE:
PIPE MATERIAL MAY BE,
ABS.TRUSS, ACP, OR V.C.P.
SEE SPECIFICATIONS.



CONCRETE PIPE CRADLE

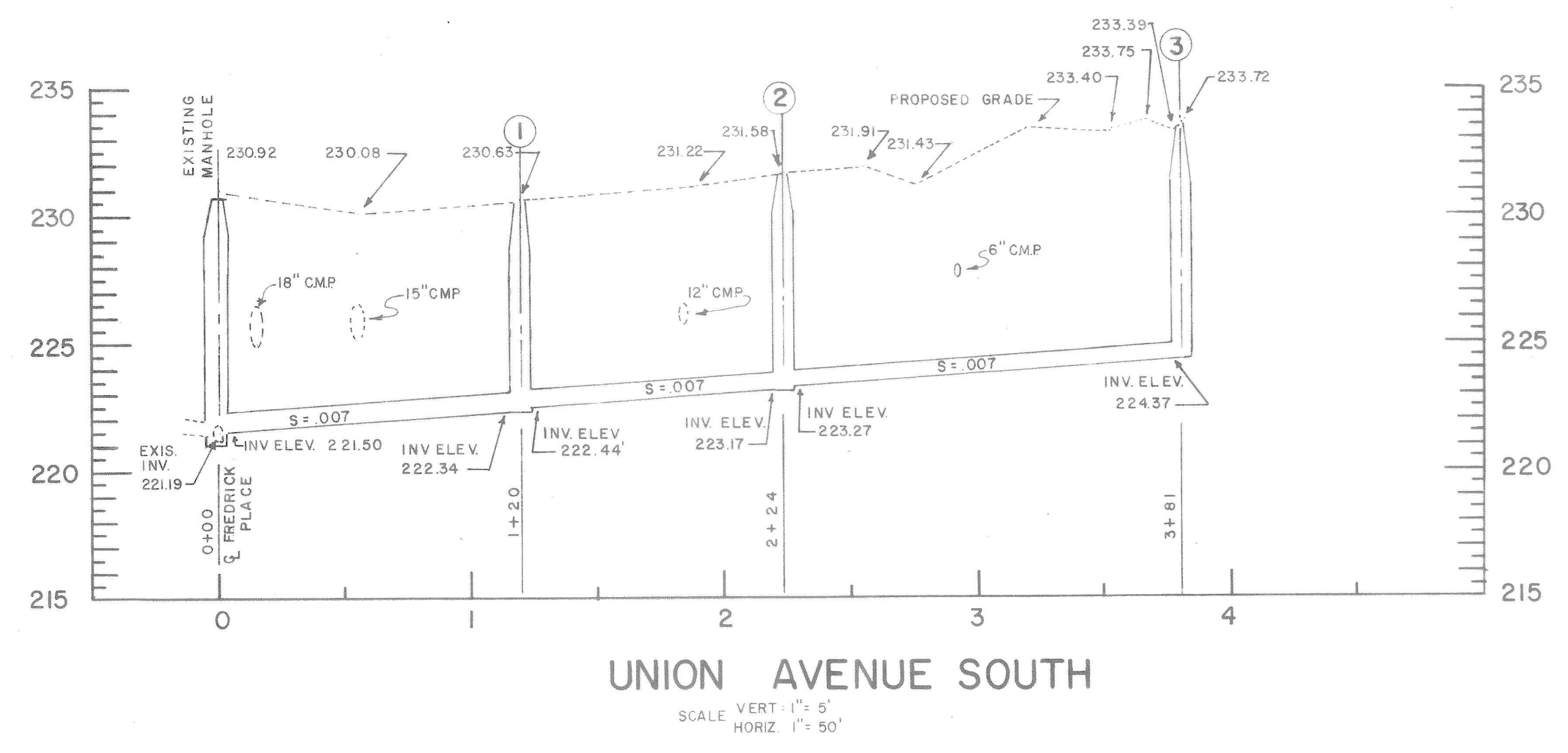


STANDARD MANHOLE
FRAME AND COVER



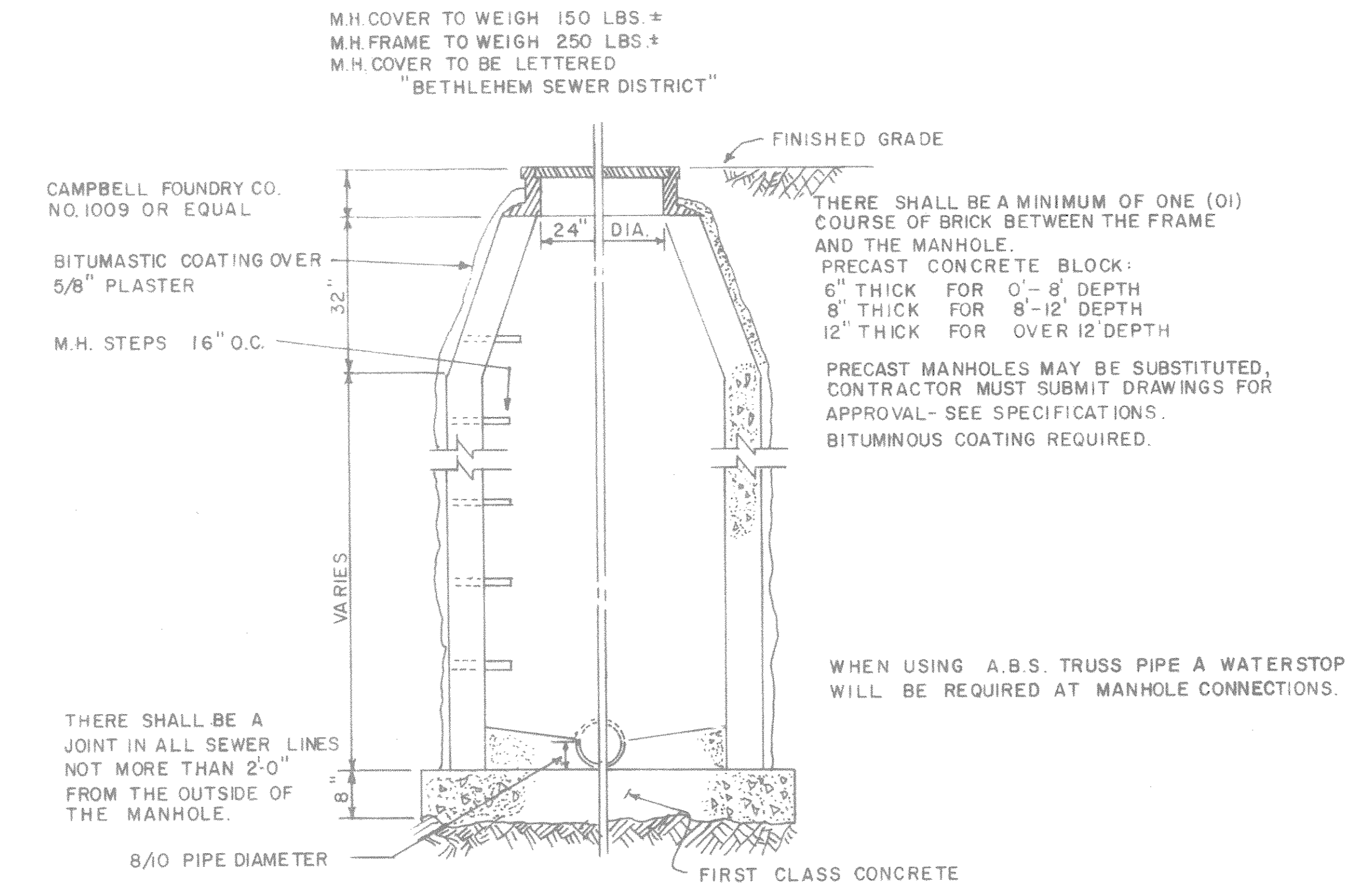
PLAN
SCALE 1" = 50'

LEGEND
EXISTING SEWERS ————
PROPOSED SEWERS ————
STORM SEWERS ————
PROPERTY LINE ————
LOT NUMBERS (99)
EXISTING EASEMENT ————

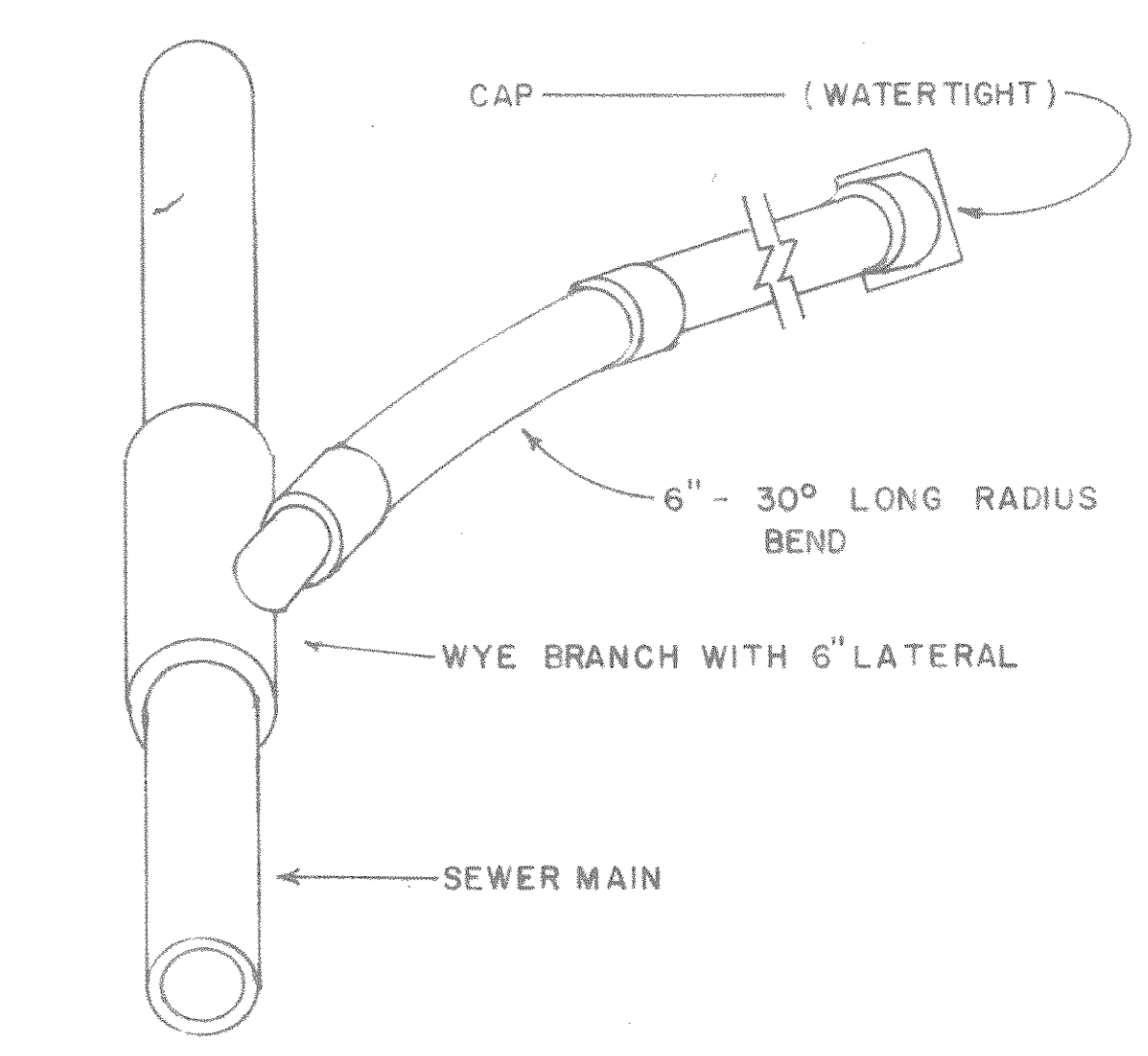


UNION AVENUE SOUTH
SCALE VERT. 1" = 5'
HORIZ. 1" = 50'

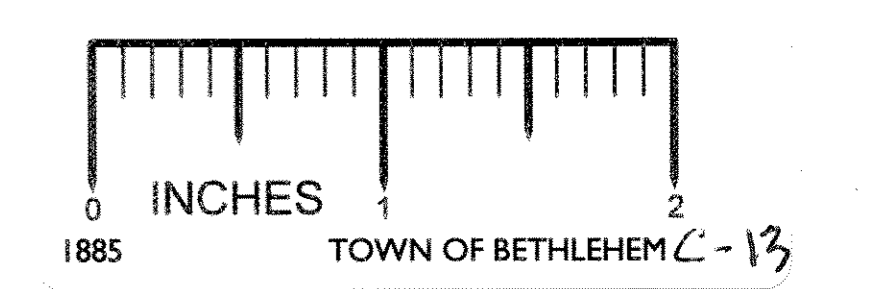
NOTE:
SET ALL MANHOLE FRAMES 0.3' BELOW
FINISHED GRADE SHOWN.



STANDARD MANHOLE



LATERAL CONNECTION
DETAIL



REVISIONS		BETHLEHEM SEWER DISTRICT TOWN OF BETHLEHEM	
DATE	DESCRIPTION	ALBANY COUNTY	NEW YORK
		SANITARY SEWERS EXTENSION No. 2 UNION AVENUE SOUTH CONTRACT No. 54	
		J. KENNETH FRASER & ASSOCIATES CONSULTING ENGINEERS RENSSELAER, NEW YORK	
DWN. BY: GLM	REF:	SCALE:	DATE:
TRC. BY: GLM		AS SHOWN	OCTOBER 1976
CHK. BY: W.T.B.			DWG. NO.
			SHEET 1 OF 1

James K. Fraser Jr.