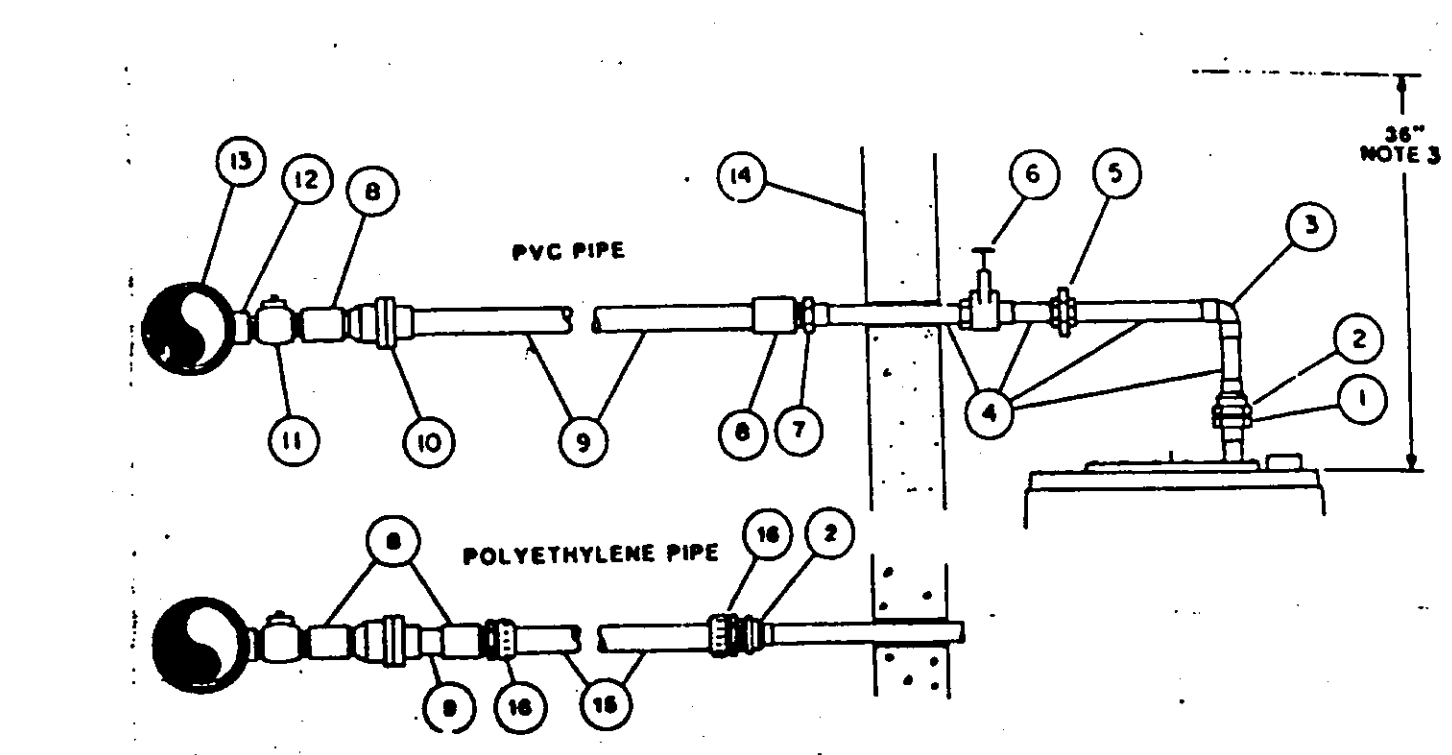
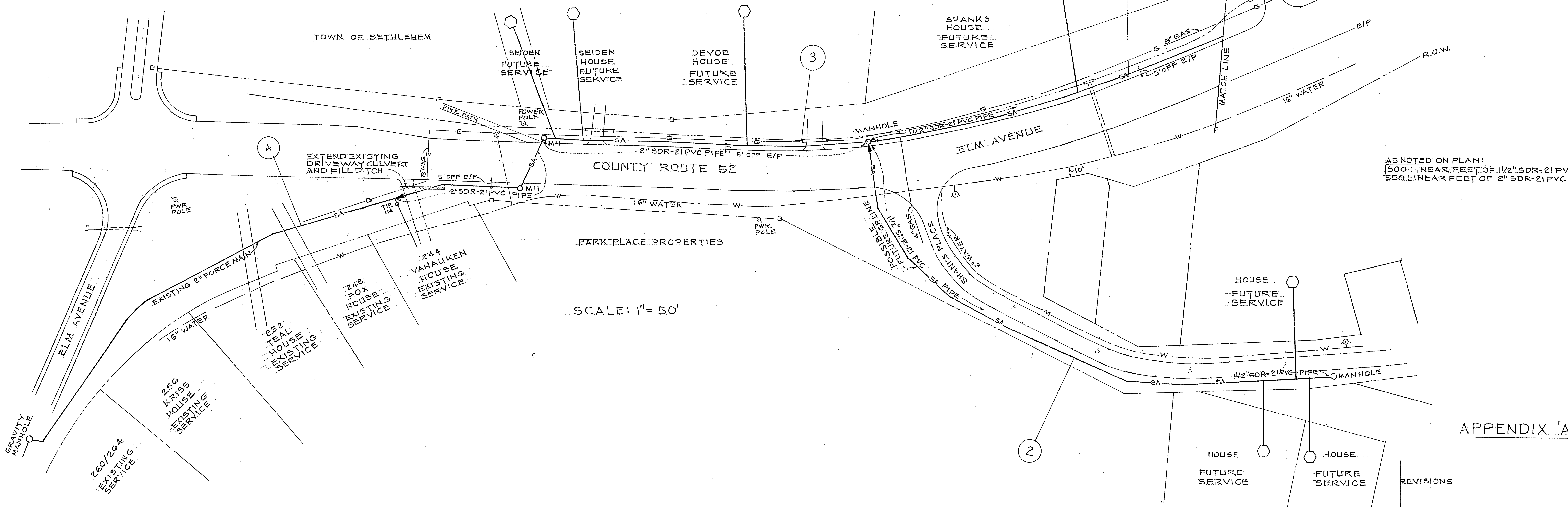
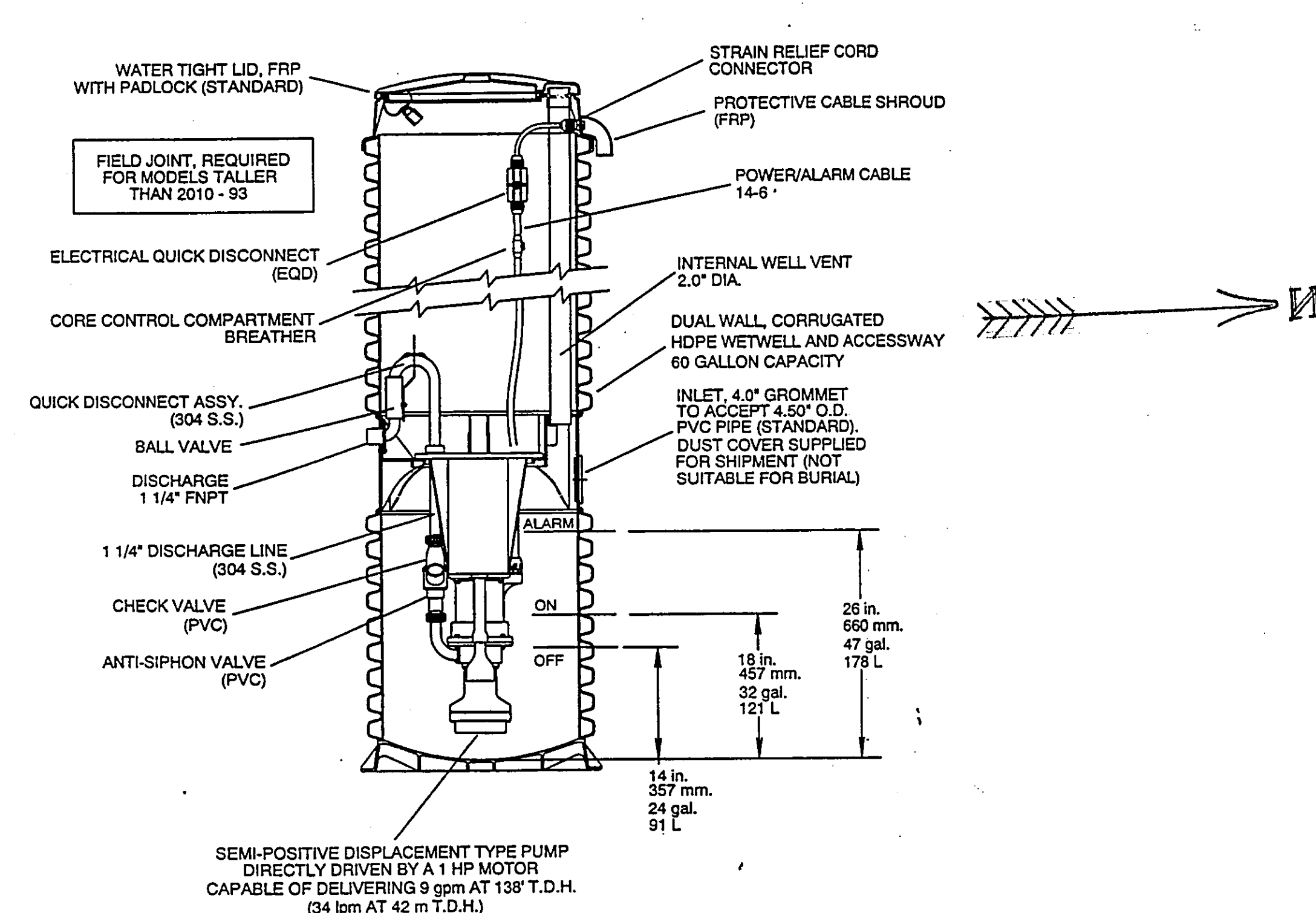


- NOTES:**
- PIPE MATERIAL FOR THE LOW PRESSURE SANITARY FORCE MAIN SHALL BE PVC WATER PIPE SDR 21 (200 PSI RATING) CONFORMING TO ASTM D-2241.
 - INSTALL LOCATOR WIRE IN FORCE MAIN TRENCH #12 AWG SINGLE CONDUCTOR STRANDED COPPER W/TW 600 VOLTS INSULATION.
 - BEFORE STARTING CONSTRUCTION, CONTRACTOR IS TO HAVE ALL UNDERGROUND UTILITIES LOCATED AND MARKED IN THE FIELD.
 - WHEN CROSSING EXISTING WATER MAIN WITH THE PROPOSED SANITARY FORCE MAIN, PROVIDE 18 INCHES MINIMUM VERTICAL SEPARATION, AND HAVE PIPE JOINTS AS DISTANT AS POSSIBLE FROM THE POINT OF CROSSING.
 - SYSTEM TO BE AIR PRESSURE TESTED TO 75 PSI FOR ONE (1) HOUR BEFORE PUTTING INTO SERVICE.
 - ALL GRINDER PUMPS TO HAVE A BACK-UP POWER CONNECTION FOR A MOBILE GENERATOR SET, COMPLY WITH APPLICABLE ELECTRICAL CODES.
 - EACH GRINDER PUMP TO HAVE A 4.25 INCH CURB STOP INSTALLED AT THE R.O.W. LINE WITH A CHECK VALVE OUTSIDE OF THE TOWN R.O.W., 5 FEET FROM THE CURB STOP.
 - NO SUMP PUMPS, GUTTERS OR STORM WATER, ETC. TO BE INTRODUCED INTO SYSTEM.



- RECOMMENDED DISCHARGE PIPING TO A LOW PRESSURE SEWER MAIN**
- GRINDER PUMP DISCHARGE - MPT
 - ADAPTER - FPT X Sweet, Copper
 - ELBOW 90° - Sweet X Sweet, Copper (NECO 601 or equivalent)
 - PIPE - Type K, Copper, See Note 6
 - DISCONNECT JOINT - Union or Compression Type Coupling, See Note 8
 - VALVE - Fully Packed (gate, ball, valve, etc.)
 - ADAPTER - MPT X Sweet, Copper (NECO 601 or equivalent)
 - ADAPTER - FPT X Socket, PVC
 - PIPE - PVC (140 PSI minimum)
 - CHECK VALVE - Fully Packed Ball Type
 - CORROSION PROOF - MPT X MPT, Brass
 - TEE or TAPPING SADDLE - FPT X As Required for connection into low pressure main
 - LOW PRESSURE MAIN
 - FOUNDATION WALL
 - PIPE - Polyethylene, SDR 8 (160 psi minimum)
 - ADAPTER - MPT X Compression (For SDR 8 pipe, Fla Control 750-13 or equivalent)
- NOTES:**
- Installation must conform to all applicable codes (building, electric, plumbing, etc.)
 - Discharge line to be below frost line or protected from freezing with insulation.
 - Disconnect joint must be beyond the outside of the Grinder Pump core and a minimum of 2' head room over the tank to allow removal of pump.
 - Plastic pipe may be used if permitted by local code.



AS NOTED ON PLAN:
 1300' LINEAR FEET OF 1 1/2" SDR-21 PVC PIPE
 550' LINEAR FEET OF 2" SDR-21 PVC PIPE

APPENDIX "A"

REVISIONS

AUG. 4, 1998 ADDED NOTES

BETHLEHEM COMMUNITY CHURCH			
SANITARY SEWER EXTENSION	SCALE 1"=50'	DRAWN BY M.G.	REVISED
COUNTY ROUTE 52			
ELM AVENUE			
DATE 5/27/98	APPROVED BY		DRAWING NUMBER

